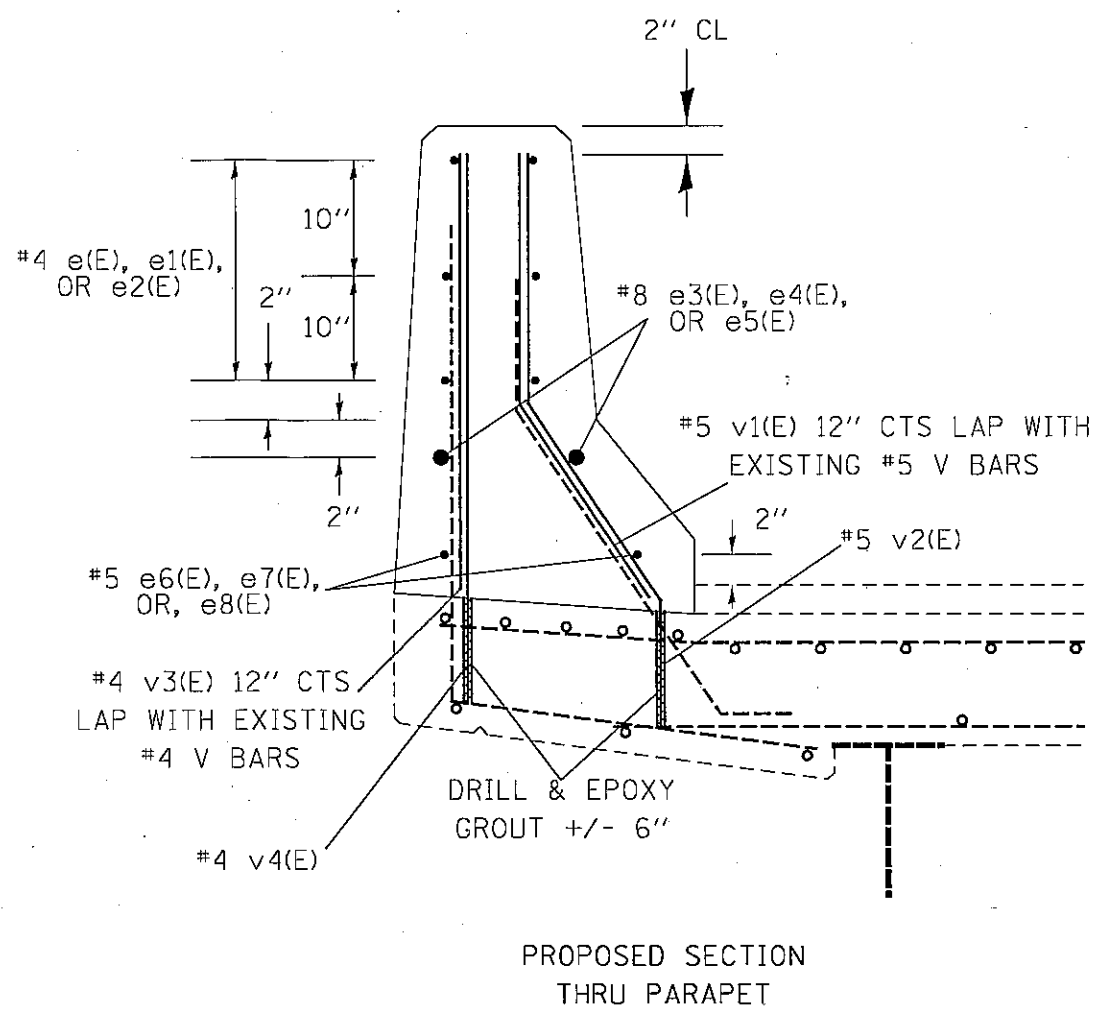


CONCRETE SUPERSTRUCTURE
CROSS SECTION



PROPOSED SECTION
THRU PARAPET

NOTES:

EXISTING RE-BAR DEPTHS WILL VARY DEPENDING ON THE DEPTH OF CONCRETE ACTUALLY REMOVED DURING CONST.

v2(E) AND v4(E) BARS SHALL BE DRILLED AND EPOXY GROUTED IN PLACE ACCORDING TO ARTICLE 584 OF THE STANDARD SPECIFICATIONS. DRILLING DEPTH SHALL BE APPROXIMATELY DOWN TO THE BOTTOM LAYER OF DECK STEEL (+/- 6"). v2(E) AND v4(E) BARS SHALL ALTERNATE WITH EACH OTHER AS DETAILED IN THE PLAN DRAWING ON SHEET 8.

THE 3/4" CHAMFER IN THE BACK OF THE PARAPET WALL MAY BE OMITTED IF THE OPTIONAL CONSTRUCTION JOINT IS NOT USED

CONTRACT 72A87
PROPOSED PARAPET
DETAILS
(NOT TO SCALE)