

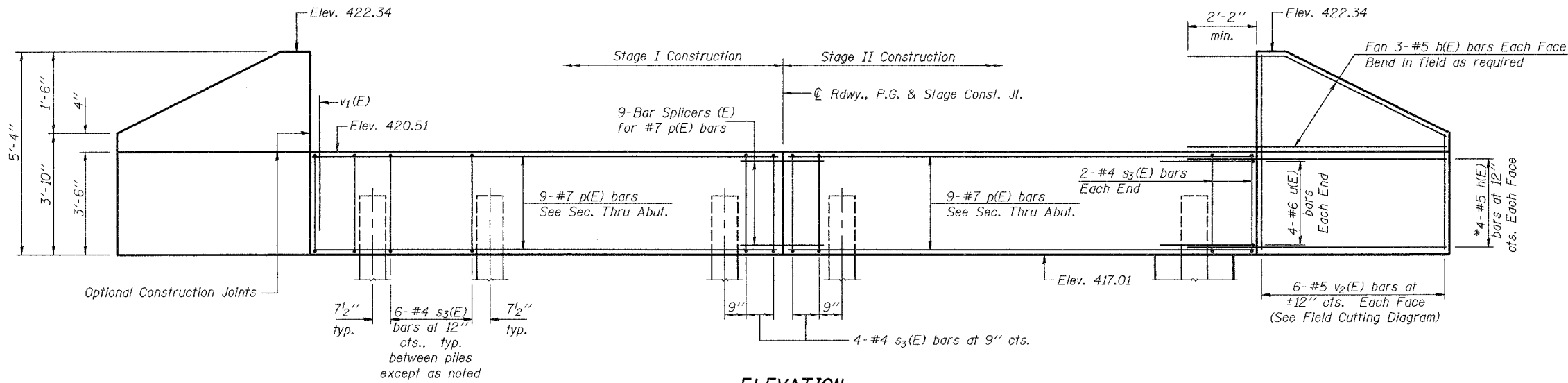
STATE OF ILLINOIS
DEPARTMENT OF TRANSPORTATION

ROUTE NO.	SECTION	COUNTY	TOTAL SHEETS	SHEET NO.	SHEET NO. 6
F.A.U. 9079	65BR	MADISON	46	23	11 SHEETS
FED. ROAD DIST. NO. 7	ILLINOIS	FED. AID PROJECT			

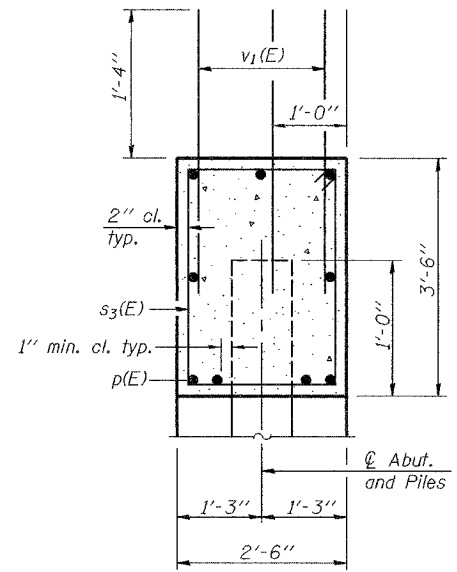
Contract 76136

Notes: For bar splicer details see sheet 10 of 11.

Excavation behind existing abutment walls shall be performed to balance front and back soil pressure before removing the existing superstructure. The Contractor shall sawcut the upper portion of the existing abutment at the stage removal line before Stage I removal to ensure the remaining portion will not be prematurely damaged.



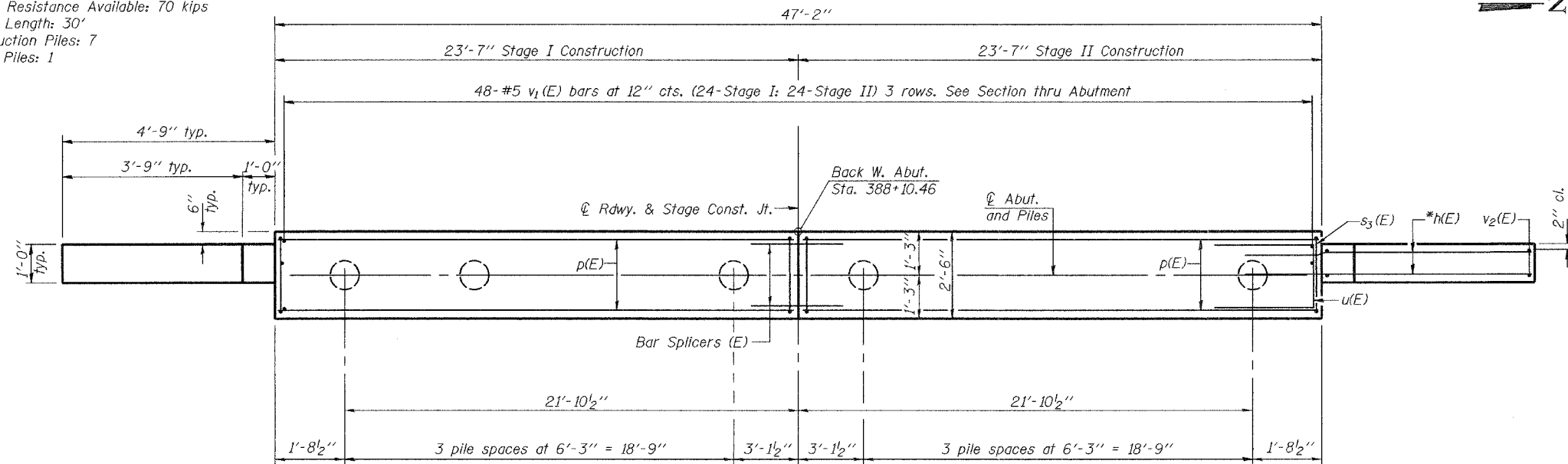
ELEVATION
(Looking West)



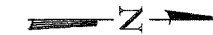
SEC. THRU ABUT.

PILE DATA

Pile Type and Size: Metal Shell - 12" dia. x 0.179" walls
Nominal Required Bearing: 210 kips
Allowable Resistance Available: 70 kips
Est. Pile Length: 30'
No. Production Piles: 7
No. Test Piles: 1



PLAN



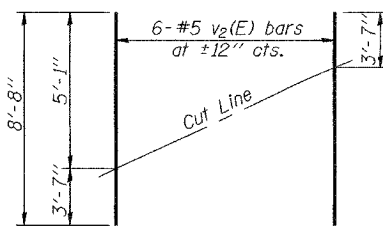
*If h(E) bars interfere with metal shells, cut h(E) bars in field to fit.

BILL OF MATERIAL

Bar	No.	Size	Length	Shape
h(E)	28	#5	7'-3"	—
p(E)	18	#7	23'-4"	—
s3(E)	48	#4	11'-5"	□
u(E)	8	#6	8'-1"	—
v1(E)	144	#5	3'-6"	—
v2(E)	12	#5	8'-8"	—
Concrete Structures			Cu. Yd.	17.0
Reinforcement Bars, Epoxy Coated			Pound	2170
Structure Excavation			Cu. Yd.	80
Furnishing Metal Pile Shells 12" φ			Foot	210
Driving Piles			Foot	210
Test Piles Metal Shells			Each	1

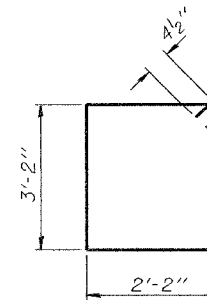
DESIGNED	R.L.T.
CHECKED	J.P.A. & T.R.B.
DRAWN	BECKY M. LEACH
CHECKED	R.L.T. & G.R.A.

EXAMINED	November 22, 2006	Thomas J. Domagala
PASSED		Ralph E. Carlson

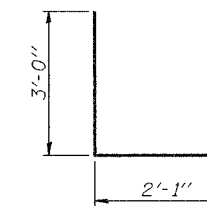


FIELD CUTTING DIAGRAM

Order v2(E) full length. Cut as shown and use remainder of bars in opposite face.



BAR s2(E)



BAR u(E)

WEST ABUTMENT
F.A.U. ROUTE 9079 - SECTION 65BR
MADISON COUNTY
STATION 388+43.96
STRUCTURE NO. 060-0236