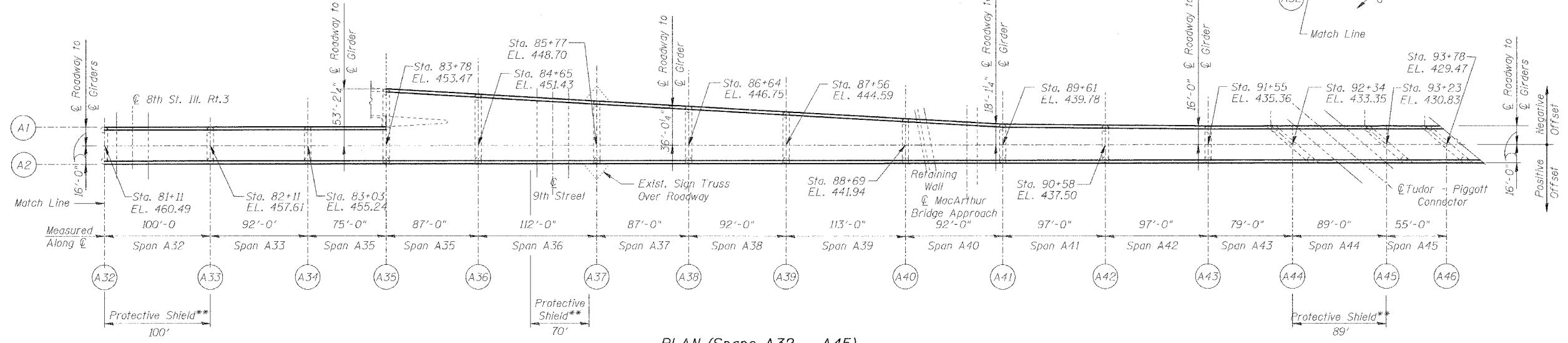
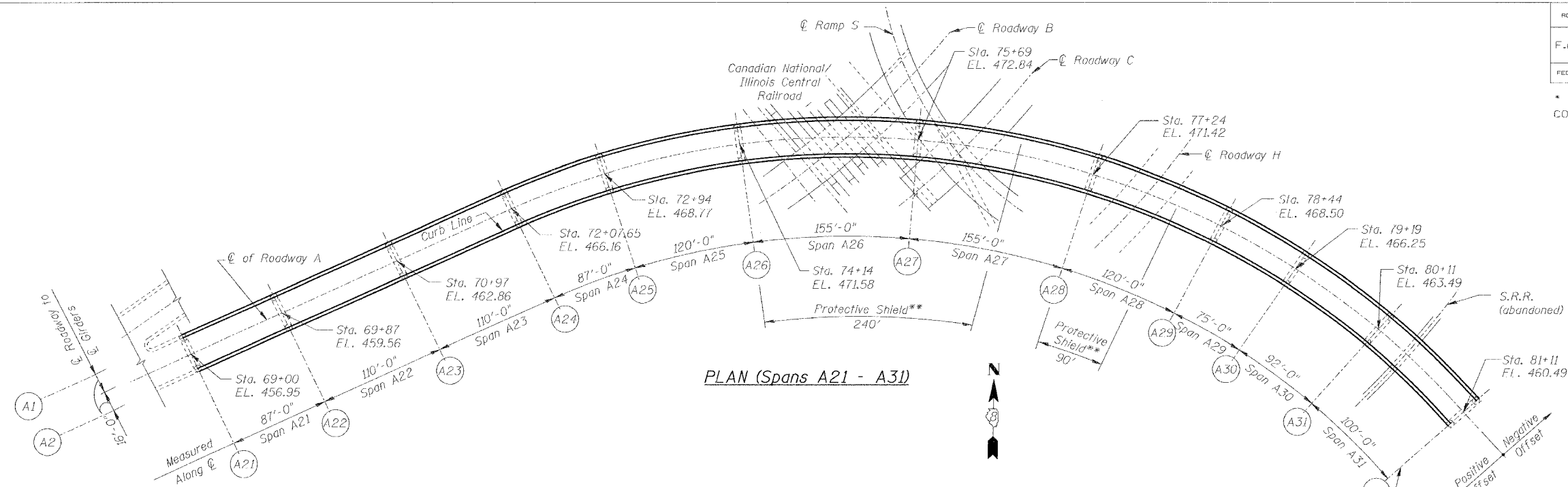


ROUTE NO.	SECTION	COUNTY	TOTAL SHEETS	SHEET NO.
F.A.I. 70	*	ST. CLAIR	99	27
FED. ROAD DIST. NO. 7		ILLINOIS	FED. AID PROJECT - IM-70	
* 82-3HYB-3R-5			SHEET 3-6 OF 3-56	
CONTRACT NO. 76985				



PIER	STATION	GIRDER A1	GIRDER A2
A26	7414.000	472.013	469.453
A27	7569.000	473.273	470.713
A28	7724.000	471.853	469.293
A30	7919.000	466.654	464.094
A31	8011.000	463.873	461.348
A32	8111.000	460.292	458.790
A33	8211.000	456.580	456.396
A34	8303.000	454.113	454.113
A36	8465.000	449.717	450.394
A37	8577.000	447.217	447.742
A39	8756.000	443.298	443.600
A40	8869.000	440.758	440.914
A42	9058.000	436.443	436.443
Abut. A46	9378.000	428.977	427.792

Notes:
 1. These elevations provided to assist in determination of top of slab elevations.
 2. Elevations taken from original design drawings and shall be field verified by Contractor.
 3. Piers at expansion joints not shown.

Notes:
 **Provide protective shield underneath full roadway width for the length indicated.
 Roadway elevations are theoretical top of new concrete overlay.

DATE: 1/24/2007 FILENAME: P:\2001\1201-1300\2001.1240\Drafting\RoadwayRehab_AT\RampA\A PROPL.dgn

DESIGNED	JPD
CHECKED	JEL
DRAWN	CLK
CHECKED	JEL

NAME	DATE

PROJECT PLAN
 STATE OF ILLINOIS
 DEPARTMENT OF TRANSPORTATION
 REHABILITATION AND RETROFIT REPAIRS
 FAI ROUTE 70
 POPLAR STREET BRIDGE APPROACHES
 ST. CLAIR COUNTY
 STRUCTURE NO. 082-0141 (ROADWAY A)
 SCALE: N.T.S.
 DATE: 02/01/2007