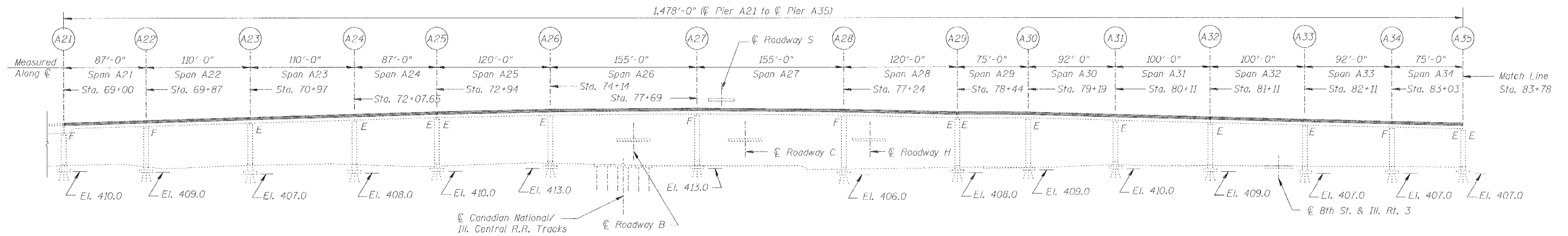
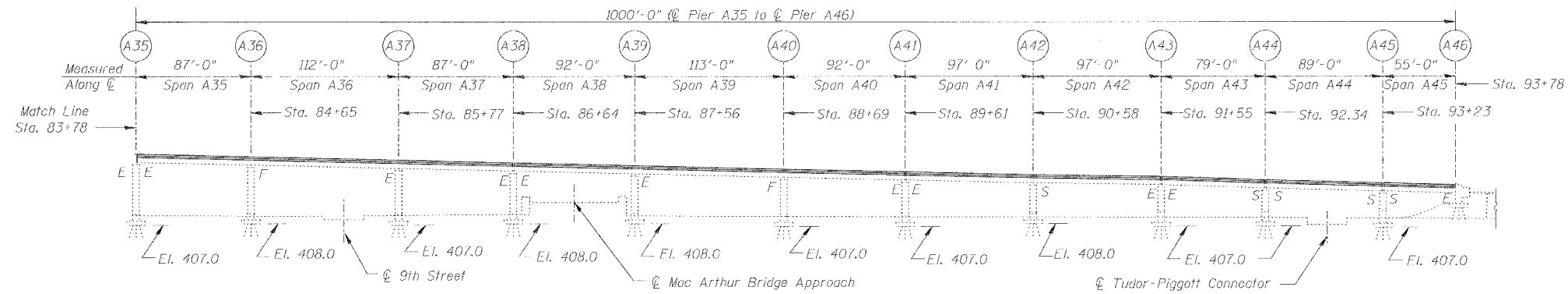


ROUTE NO.	SECTION	COUNTY	TOTAL SHEETS	SHEET NO.
F.A.I. 70	*	ST. CLAIR	99	28
FED. ROAD DIST. NO. 7	ILLINOIS	FED. AID PROJECT - IN-70		
* 82-3HVB-3R-5			SHEET S-7 OF S-56	
CONTRACT NO. 76985				



ELEVATION (Spans A21 - A34)



ELEVATION (Spans A35 - A45)

DATE: 12/4/2007 FILENAME: P:\2001\1201-1300\2001.1240\Drafting\RoadwayRehab\_AT\RampA\PROEL.dgn

DESIGNED	JPD
CHECKED	JEL
DRAWN	CLK
CHECKED	JEL

REVISIONS	
NAME	DATE

**PROJECT ELEVATION**  
STATE OF ILLINOIS  
DEPARTMENT OF TRANSPORTATION  
REHABILITATION AND RETROFIT REPAIRS  
FAI ROUTE 70  
POPLAR STREET BRIDGE APPROACHES  
ST. CLAIR COUNTY  
STRUCTURE NO. 082-0141 (ROADWAY A)  
SCALE: N.T.S.  
DATE: 02/01/2007