

1 DECK REPAIR @ TYPICAL EXPANSION JOINTS
(Includes A35, A41, A43, A44 and A45 on Ramp A)

Notes: Remove entire exist. expansion joint seal system, including anchor bolts. Existing angle, headed studs, and surrounding concrete to remain.

BILL OF MATERIAL

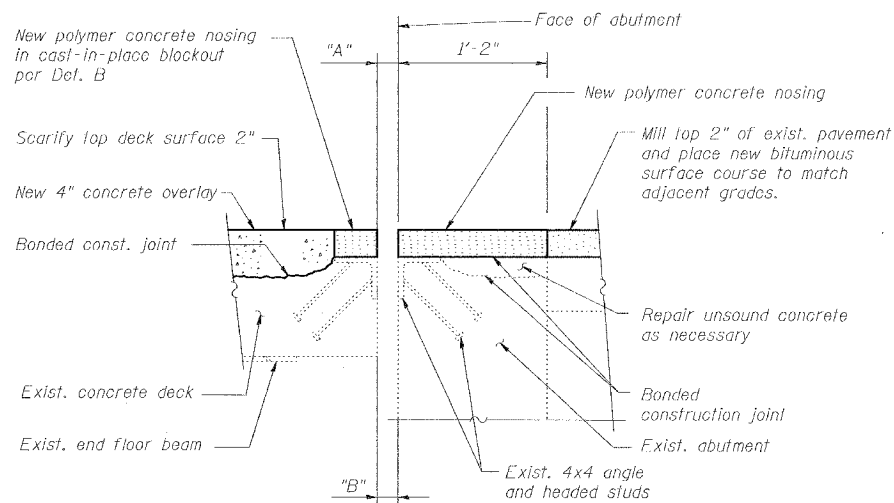
Item	Unit	Quantity
Silicone Joint Sealer - 2"	Ft.	171
Silicone Joint Sealer - 2 1/2"	Ft.	75
Silicone Joint Sealer - 3"	Ft.	38
Polymer Concrete	Cu. Ft.	32

SILICONE JOINT SCHEDULE - RAMP A

Location	Type of Joint Seal	Joint Opening in new overlay - "A" (Inches)					Existing deck opening @ 50° F "B" (Inches)
		@ -30°F	@ 10°F	@ 50°F	@ 90°F	@ 130°F	
A35**	2 1/2" Silicone	3 1/2"	3"	2 1/2"	2"	1 1/2"	1 1/2"
A41**	2 1/2" Silicone	3 3/4"	3 1/8"	2 1/2"	1 7/8"	1 1/4"	1 1/2"
A43**	3" Silicone	4 5/8"	3 15/16"	3"	2 3/16"	1 3/8"	1 1/2"
A44*	2" Silicone	---	---	2"	---	---	1 1/2"
A45*	2" Silicone	---	---	2"	---	---	1"
A46**	2" Silicone	2 5/8"	2 5/16"	2"	1 1/16"	1 3/8"	1 1/2"

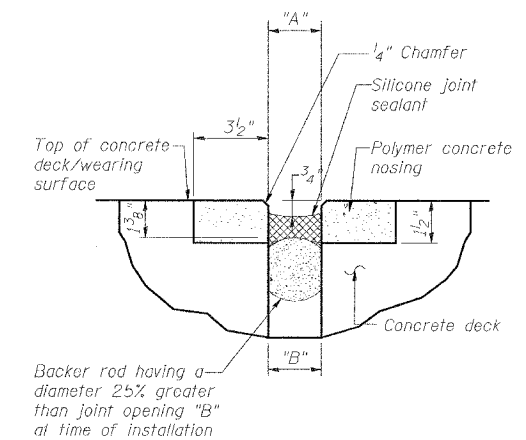
Note: For deck temperatures between those shown, width of joint opening can be interpolated.

- * - Joint at isolation bearing (no significant movement anticipated)
- ** - Notify Engineer if joint opening in existing deck is less than value "B"

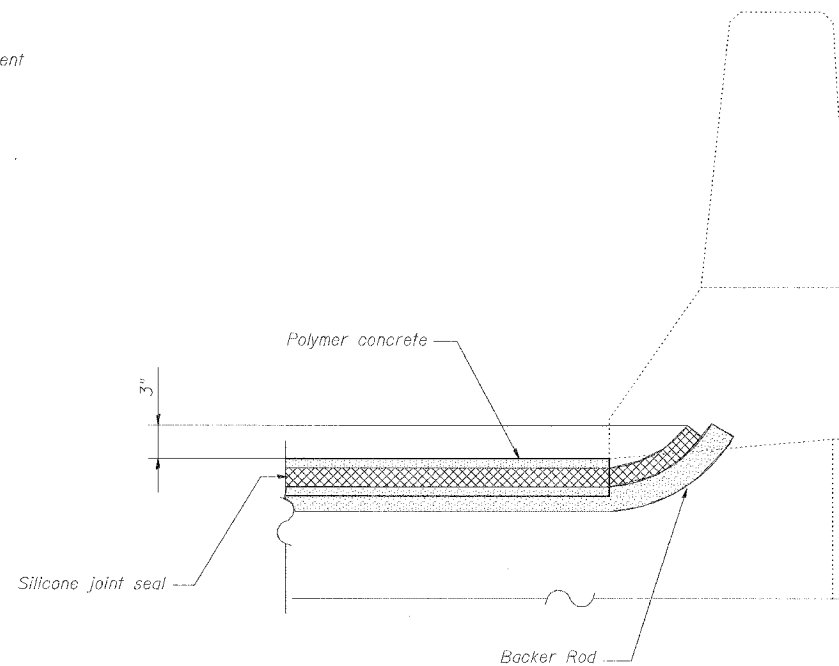


2 DECK REPAIR @ A46 ABUTMENT EXPANSION JOINT

Notes: Remove entire exist. expansion joint seal system, including anchor bolts. Existing angle, headed studs, and surrounding concrete to remain.



DETAIL B - SILICONE JOINT SEAL
See Silicone Joint Schedule for movement requirements



3 SILICONE JOINT SEAL @ PARAPET

REVISIONS	
NAME	DATE

TYPICAL JOINT DETAILS
STATE OF ILLINOIS
DEPARTMENT OF TRANSPORTATION
REHABILITATION AND RETROFIT REPAIRS
FAI ROUTE 70
POPLAR STREET BRIDGE APPROACHES
ST. CLAIR COUNTY
STRUCTURE NO. 082-0141 (ROADWAY A)
SCALE: N.T.S.
DATE: 02/01/2007

DATE: 1/24/2007
FILENAME: p:\2001\1201-1800\2001.1240\Drafting\RoadwayRehab_AT\RampA\join_A-JOIN01.dgn

DESIGNED	JPD
CHECKED	CSD
DRAWN	CLK
CHECKED	JPD