

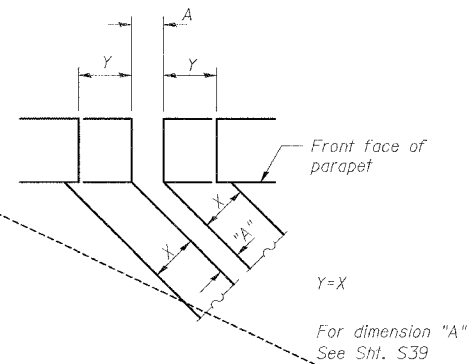
VOID

Joint Size	"A" at 50°F	"D" at 50°F
4"	3"	2 1/2" Min.

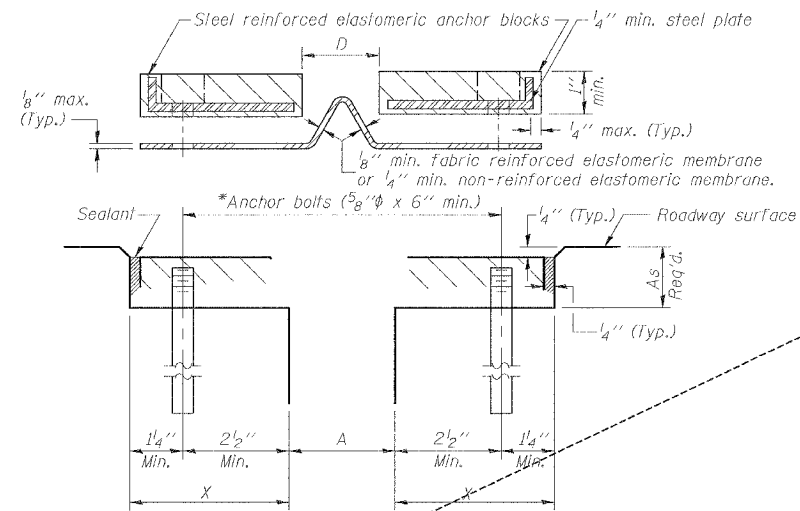
INSTALLATION NOTES

- Install continuous seal in roadway and parapet.
- Install anchor blocks as indicated.

NOTE A: Maximum spacing of anchor bolts shall be 12" centers.



FORMING BLOCKOUT SKETCH



CROSS SECTION

GENERAL NOTES

Continuous Seal Neoprene Expansion Joint shall consist of molded anchor blocks of elastomer and steel, field assembled over continuous lengths of elastomeric membrane.

The elastomeric membrane shall be premolded with a single or a double upward convolution that will have a "memory" to return to its molded position upon joint closure.

The convolution length shall be such that the extended length will not be greater than the manufactured length when the joint is fully expanded in its design range and will not protrude above the anchor blocks when the joint is fully compressed.

Joint openings shall be adjusted according to Article 503.10(c) of the Standard Specifications when the deck is poured at an ambient temperature other than 50° F.

The parapet and roadway membrane shall be made continuous by an approved vulcanizing process. Lapping will not be permitted.

Where existing steel edge angle is present, the contractor shall stud weld new threaded stud to existing joint edge angle.

The cost of epoxy grouting or welding anchor bolts shall be included with Neoprene Expansion Joint.

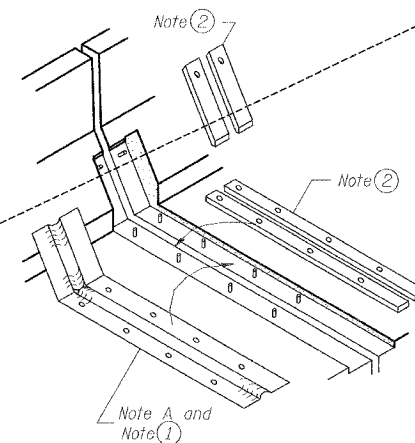
*Epoxy grout 5/8" ϕ threaded stainless steel rods in accordance with Section 584 of the Standard Specifications. Space to miss existing studs.

SKREW LIMITATIONS

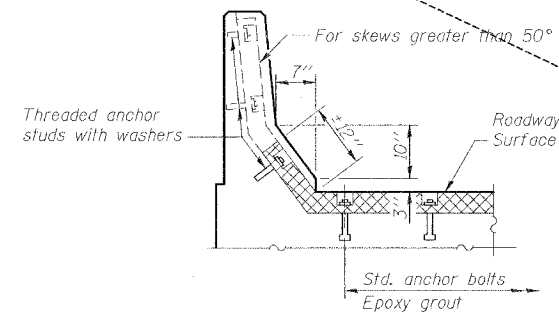
The details of the anchor blocks and the elastomeric membrane in the parapet, as shown, are for up to 50° skews.

For skews greater than 50°, the anchor blocks and the elastomeric membrane, installed according to dimension "D", might require modifications to insure a minimum clearance of 1 1/2" from centerline of anchor studs to edge of parapet opening.

The anchor blocks and the elastomeric membrane shall also be installed to the top of the parapet with the anchor studs spaced at $\pm 12"$ cts.



AT PARAPET



AT PARAPET

TYPICAL NEOPRENE JOINT DETAILS

REVISIONS	
NAME	DATE

STATE OF ILLINOIS
DEPARTMENT OF TRANSPORTATION
REHABILITATION AND RETROFIT REPAIRS
FAI ROUTE 70
POPLAR STREET BRIDGE APPROACHES
ST. CLAIR COUNTY

STRUCTURE NO. 082-0141 (ROADWAY A)

SCALE: N.T.S.

DATE: 02/01/2007

DATE: 1/24/2007 FILENAME: F:\2001\1201-1300\2001.1240\Drafting\RoadwayRehab_AT\RampA\join_A-JOIN02.dgn

DESIGNED	JPD
CHECKED	CSD
DRAWN	CLK
CHECKED	JPD