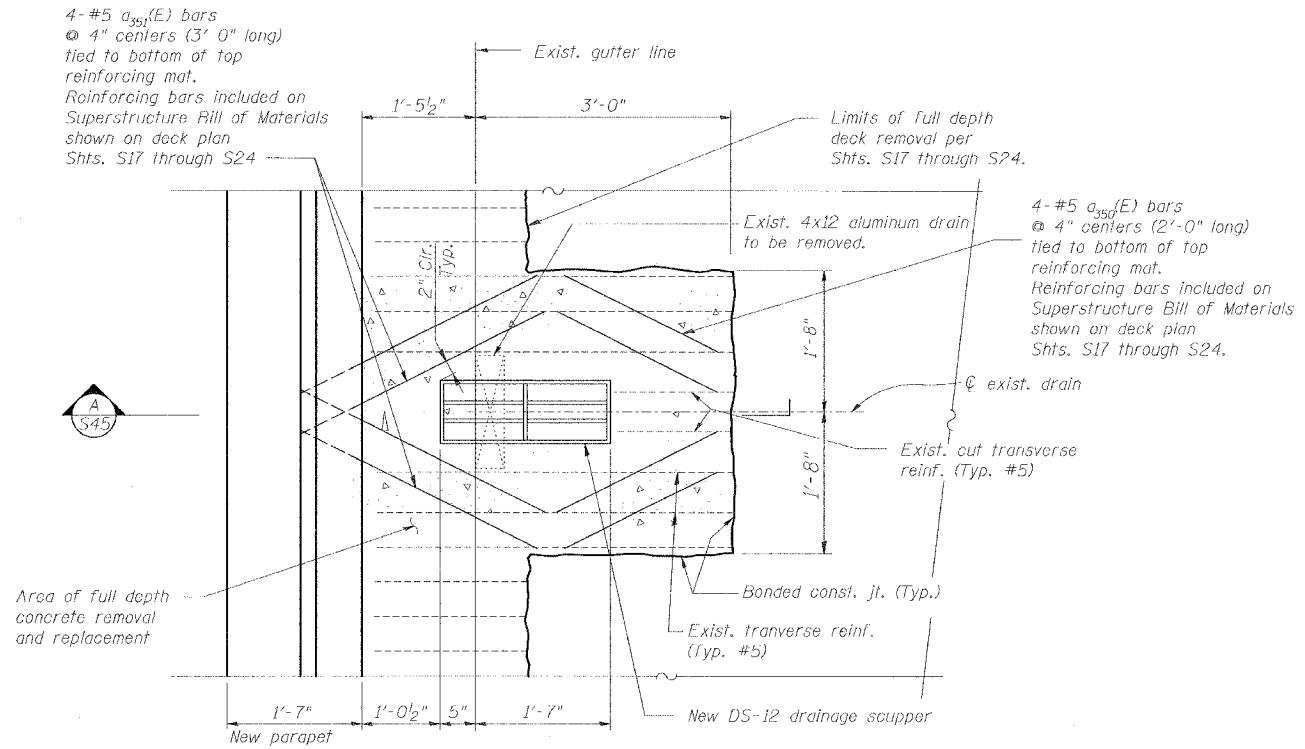


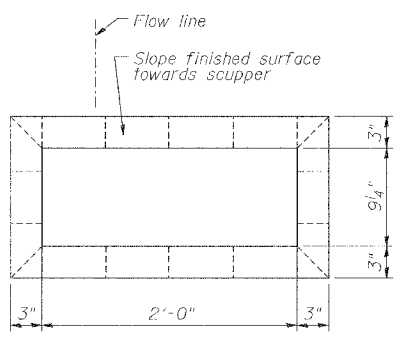
ROUTE NO.	SECTION	COUNTY	TOTAL SHEETS	SHEET NO.
F.A.T. 70	*	ST. CLAIR	99	66
FED. ROAD DIST. NO. 7	ILLINOIS	FED. AID PROJECT- 1M-70		

* 82-3HVB-3R-5 SHEET S-45 OF S-56
 CONTRACT NO. 76985

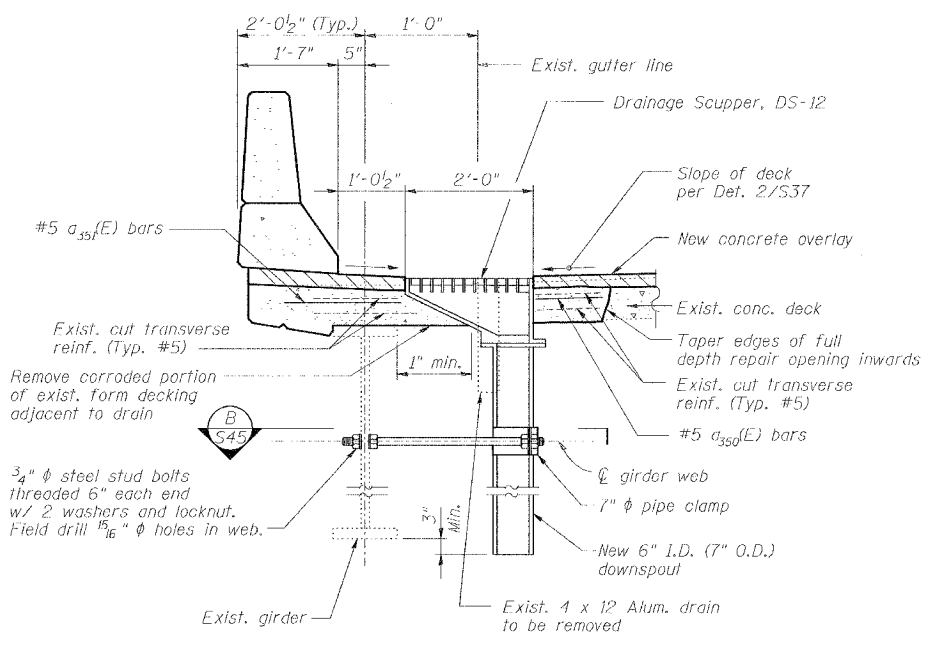


1 NEW DRAINAGE SCUPPER
 S45

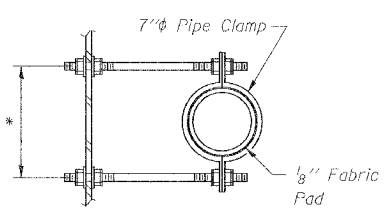
Note:
 Exist. and new longitudinal reinforcement not shown for clarity. Cut exist. longitudinal reinforcement as necessary to clear new scupper.



TOP PLAN



SECTION A



SECTION B

TYPICAL DRAINAGE DETAILS

REVISIONS	
NAME	DATE

STATE OF ILLINOIS
 DEPARTMENT OF TRANSPORTATION
 REHABILITATION AND RETROFIT REPAIRS
 FAI ROUTE 70
 POPLAR STREET BRIDGE APPROACHES
 ST. CLAIR COUNTY

STRUCTURE NO. 082-0141 (ROADWAY A)
 SCALE: N.T.S.
 DATE: 02/01/2007

DATE: 12/4/2007
 FILENAME: p:\2001\1201-1800\20011240\Drafting\RoadwayRehab_A1_RampA\drai\A-DEA102.dgn

DESIGNED	JPD
CHECKED	CSD
DRAWN	CLK
CHECKED	JPD