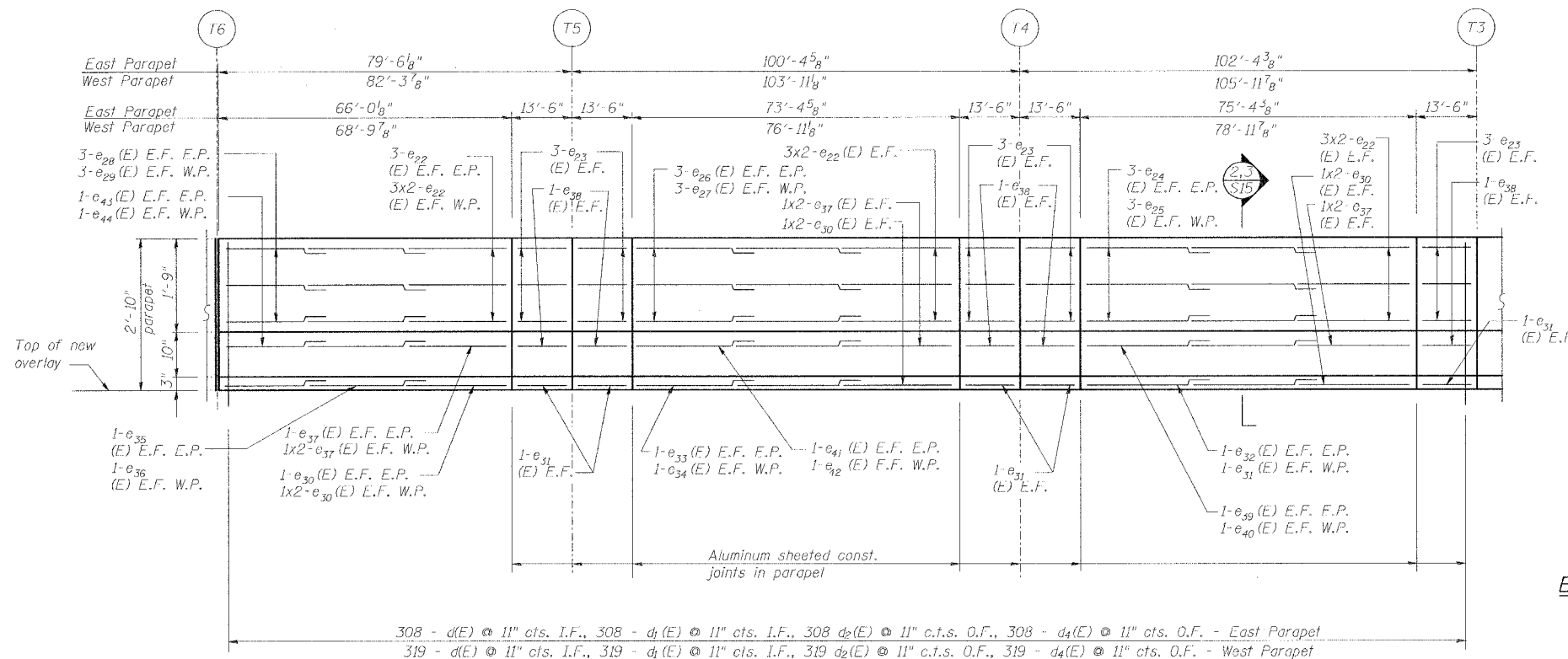


ROUTE NO.	SECTION	COUNTY	TOTAL SHEETS	SHEET NO.
F.A.I. 70	*	ST. CLAIR	99	88
FED. ROAD DIST. NO. 7		ILLINOIS	FED. AID PROJECT- 1M-70	
* 82-3HVB-3R-5			SHEET S-11 OF S-22	
CONTRACT NO. 76985				

SUPERSTRUCTURE BILL OF MATERIAL

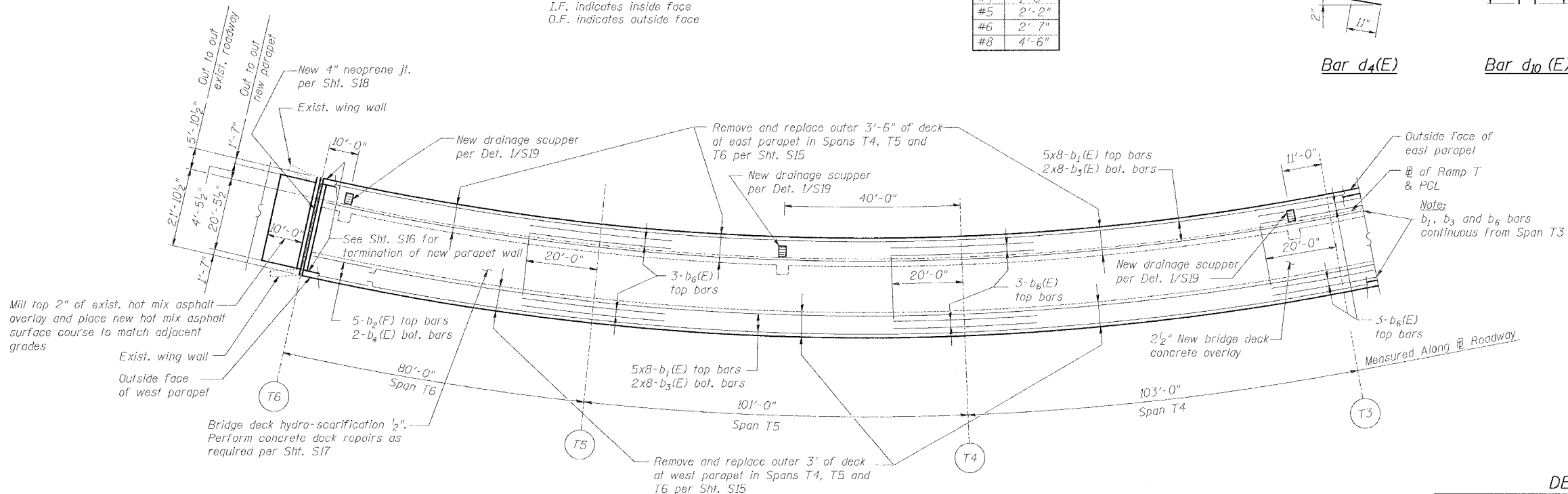
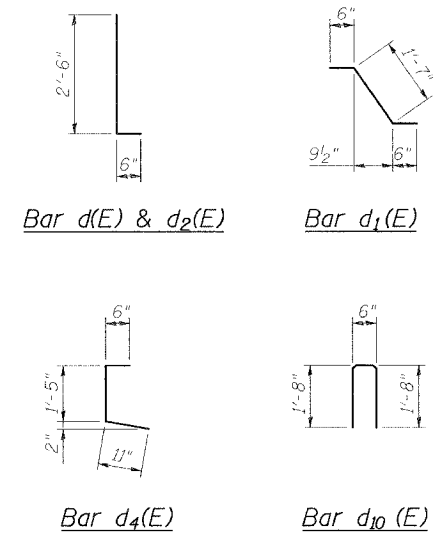
Bar	No.	Size	Length	Shape
a ₂₂ (E)	12	#5	2'-0"	
a ₂₃ (E)	12	#5	3'-0"	
b ₁ (E)	80	#5	40'-0"	
b ₂ (E)	5	#5	17'-0"	
b ₃ (E)	32	#5	40'-0"	
b ₄ (E)	2	#5	17'-0"	
b ₆ (E)	12	#6	40'-0"	
d(E)	627	#5	3'-0"	
d ₁ (E)	627	#5	2'-5"	
d ₂ (E)	627	#4	3'-0"	
d ₃ (E)	627	#4	2'-7"	
d ₄ (E)	1	#3	3'-10"	
e ₂₂ (E)	66	#4	35'-0"	
e ₂₃ (E)	60	#4	13'-3"	
e ₂₄ (E)	6	#4	8'-6"	
e ₂₅ (E)	6	#4	12'-3"	
e ₂₆ (E)	6	#4	6'-6"	
e ₂₇ (E)	6	#4	10'-2"	
e ₂₈ (E)	6	#4	32'-9"	
e ₂₉ (E)	6	#4	2'-7"	
e ₃₀ (E)	22	#5	35'-0"	
e ₃₁ (E)	22	#5	13'-3"	
e ₃₂ (E)	2	#5	9'-6"	
e ₃₃ (E)	2	#5	7'-6"	
e ₃₄ (E)	2	#5	11'-2"	
e ₃₅ (E)	2	#5	33'-3"	
e ₃₆ (E)	2	#5	3'-0"	
e ₃₇ (E)	24	#8	35'-0"	
e ₃₈ (E)	20	#8	13'-3"	
e ₃₉ (E)	2	#8	14'-1"	
e ₄₀ (E)	2	#8	17'-11"	
e ₄₁ (E)	2	#8	12'-2"	
e ₄₂ (E)	2	#8	15'-10"	
e ₄₃ (E)	2	#8	35'-3"	
e ₄₄ (E)	2	#8	7'-6"	
Reinforcement Bars, Epoxy Coated	Pound		18,570	
Concrete Removal	Cu. Yd.		143.9	
Concrete Superstructure	Cu. Yd.		130.5	
Hot Mix Asphalt Surface Removal (Deck)	Sq. Yd.		702	
Bridge Deck Hydro-Scarification - 1/2"	Sq. Yd.		702	
Bridge Deck Microsilica Concrete Overlay - 2 1/2"	Sq. Yd.		795	
Drainage Scuppers - DS12	Ea.		3	
Protective Coat	Sq. Yd.		1,264	
Bridge Deck Grooving	Sq. Yd.		795	
Curb Removal (Special)	Foot		7.5	
Mechanical Splice	Ea.		68	



INSIDE ELEVATION OF EAST PARAPET

West Parapet similar except as noted
 All dimensions measured along bottom of inside face of parapet
 E.F. indicates each face
 I.F. indicates inside face
 O.F. indicates outside face

Min Bar Laps	
#4	1'-8"
#5	2'-2"
#6	2'-7"
#8	4'-6"



DECK PLAN OF SPANS T6 - T4

Reinforcement bars designated (E) shall be epoxy coated.

DECK & PARAPET REPAIRS - SPANS T6 - T4

REVISIONS	
NAME	DATE

STATE OF ILLINOIS
 DEPARTMENT OF TRANSPORTATION
 REHABILITATION AND RETROFIT REPAIRS
 FAI ROUTE 70
 POPLAR STREET BRIDGE APPROACHES
 ST. CLAIR COUNTY

STRUCTURE NO. 082-0146 (Ramp T)
 SCALE: N.T.S.
 DATE: 02/01/2007

DATE: 1/26/2007 FILENAME: P:\2001\201-1300\2001.1240\Drafting\Roadway\Rehab_AT\ Ramp\Parapet-deck_T_DP0406.dgn

DESIGNED	JPD
CHECKED	JEL
DRAWN	CLK
CHECKED	JPD/JEL