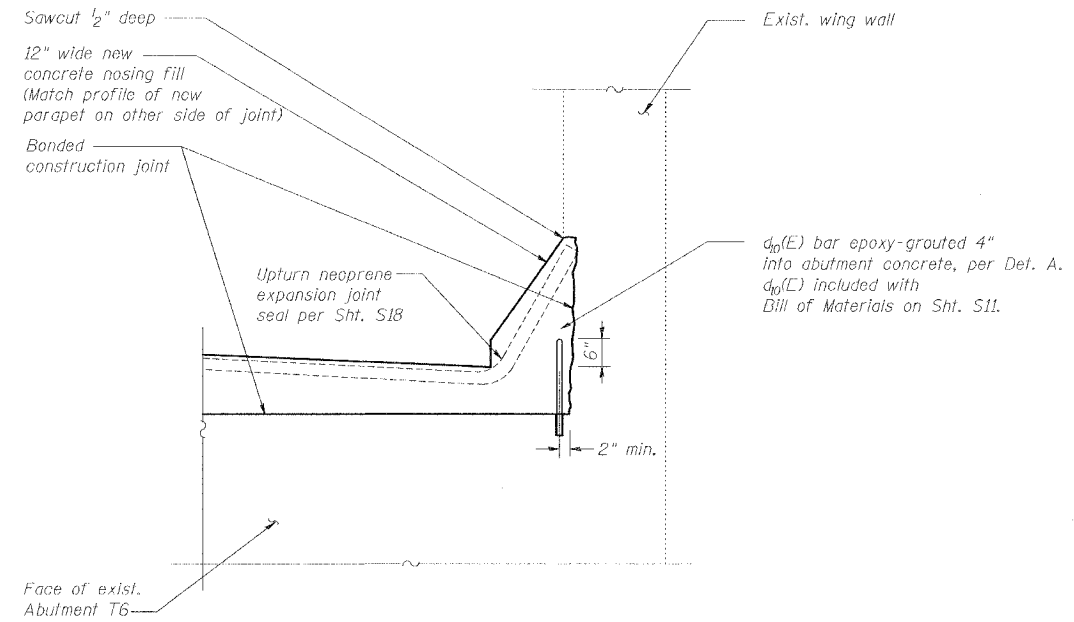


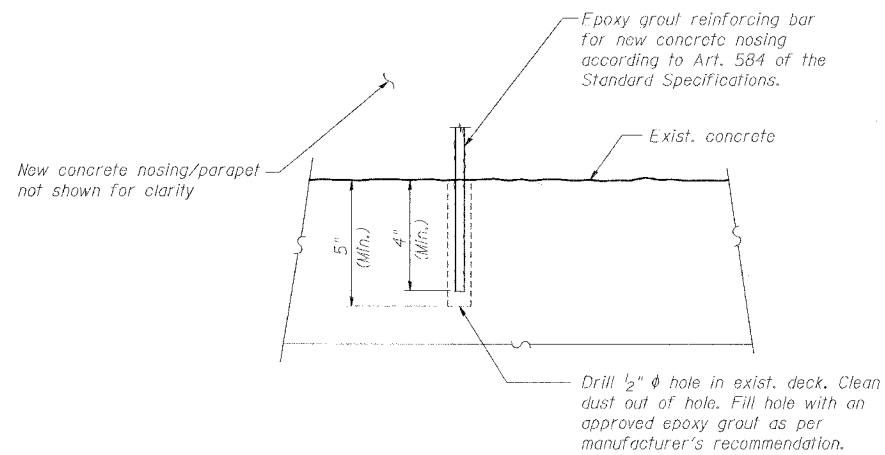
PLAN-PARAPET END TREATMENT (@ T6 ABUTMENT)

(East parapet shown, west parapet Sim. opp. hand)



1 DETAIL AT EDGES OF T6 EXPANSION JOINT

S16



DETAIL A - EPOXY GROUTING OF REINFORCING BARS

SPECIAL PARAPET TERMINATION DETAILS

REVISIONS	
NAME	DATE

STATE OF ILLINOIS
DEPARTMENT OF TRANSPORTATION
REHABILITATION AND RETROFIT REPAIRS
FAI ROUTE 70
POPLAR STREET BRIDGE APPROACHES
ST. CLAIR COUNTY
STRUCTURE NO. 082-0146 (Ramp T)
SCALE: N.T.S.
DATE: 02/01/2007

DATE: 12/4/2007
FILENAME: P:\2001\1201-1300\2001.1240\Drafting\RoadwayRehab_AT\RampT\para\T-PARA04.dgn

DESIGNED	JPD
CHECKED	CSD
DRAWN	CLK
CHECKED	JPD