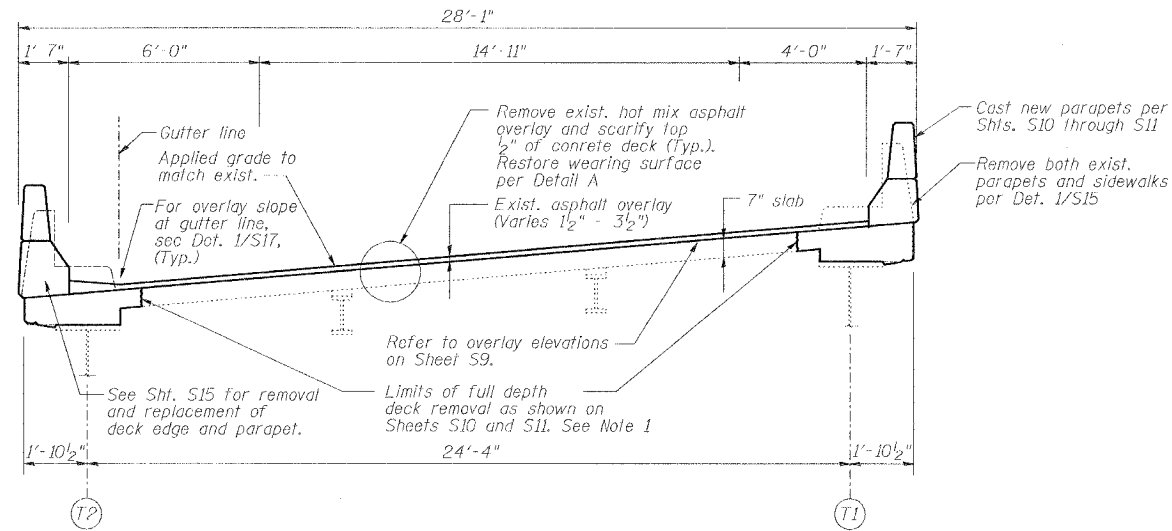


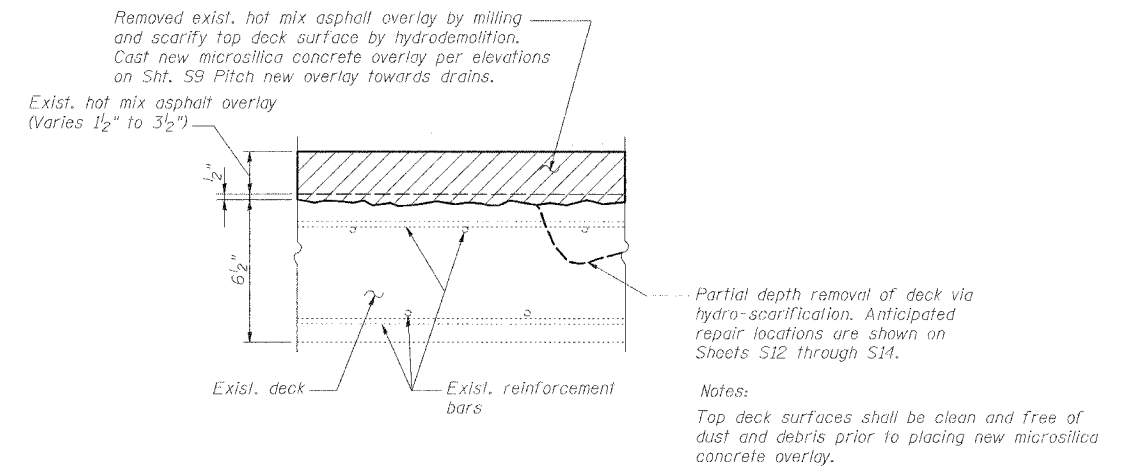
ROUTE NO.	SECTION	COUNTY	TOTAL SHEETS	SHEET NO.
F.A.I. 70	*	ST. CLAIR	99	94
FED. ROAD DIST. NO. 7	ILLINOIS	FED. AID PROJECT- 14-70		
* 82-3HVB-3R-5			SHEET S-17 OF S-22	
CONTRACT NO. 76985				



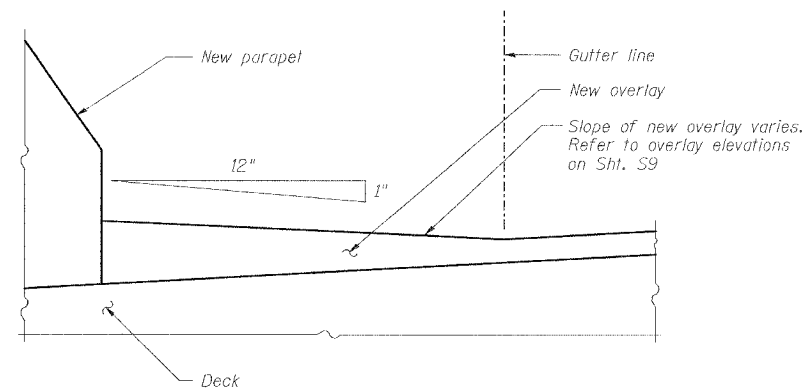
**TYP. RAMP REHABILITATION**

(Looking toward lower numbered T Pier)

Note 1: Additional full depth removal (due to deterioration) may be required at locations of existing floor drains, as directed by Engineer. Anticipated removal and replacement quantities included in pay items for "Concrete Removal" and "Concrete Superstructure".



**DETAIL A-SCHEMATIC DIAGRAM OF REPAIR**



**1 OVERLAY SLOPE AT GUTTER LINE**

S17

**DECK REHABILITATION DETAILS**

REVISIONS	
NAME	DATE

STATE OF ILLINOIS  
DEPARTMENT OF TRANSPORTATION  
REHABILITATION AND RETROFIT REPAIRS  
FAT ROUTE 70  
POPLAR STREET BRIDGE APPROACHES  
ST. CLAIR COUNTY

STRUCTURE NO. 082-0146 (Ramp T)

SCALE: N.T.S.

DATE: 02/01/2007

DATE: 12/4/2007  
FILENAME: P:\2001\1201-1300\2001.1240\Drafting\Roadway\Rehab\_AT\ Ramp T\conc\T-CONC01.dgn

DESIGNED	JPD
CHECKED	CSD
DRAWN	CLK
CHECKED	JPD