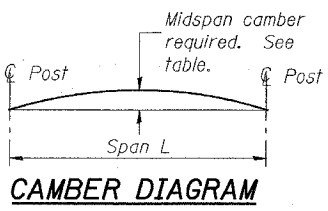
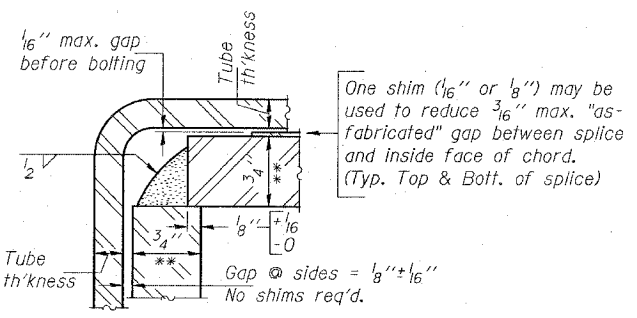


STATE OF ILLINOIS
 DEPARTMENT OF TRANSPORTATION

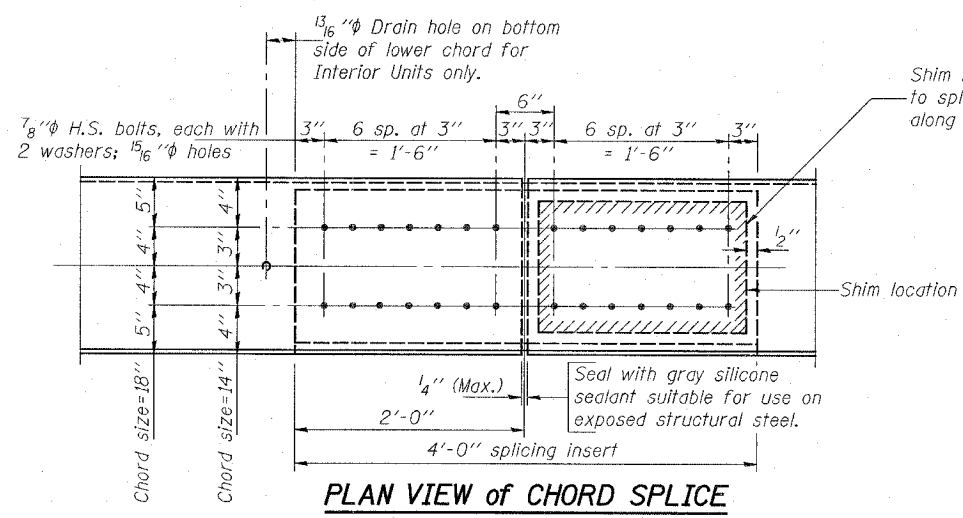


Camber may be either continuous curve or straight segments with "kinks" at splices.

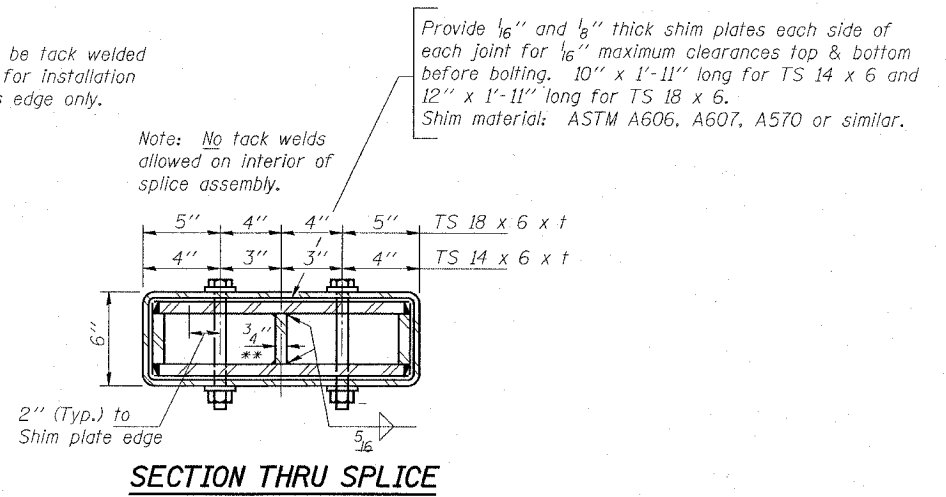


Corner of Chord Splice

Span L	Camber at Midspan	Chord **	Vertical **	Post **
Up to 50'	2"	TS 14 x 6 x 3/8	TS 10 x 6 x 3/8	W 24 x 104
51' to 70'	4"	TS 14 x 6 x 3/8	TS 10 x 6 x 3/8	W 24 x 104
71' to 80'	4"	TS 14 x 6 x 3/8	TS 10 x 6 x 3/8	W 24 x 104
81' to 90'	6"	TS 18 x 6 x 1/2	TS 14 x 6 x 3/8	W 24 x 104
91' to 100'	6"	TS 18 x 6 x 1/2	TS 14 x 6 x 3/8	W 24 x 104
101' to 110'	6"	TS 18 x 6 x 5/8	TS 14 x 6 x 1/2	W 24 x 104
111' to 124'	6"	TS 18 x 6 x 5/8	TS 14 x 6 x 1/2	W 24 x 104

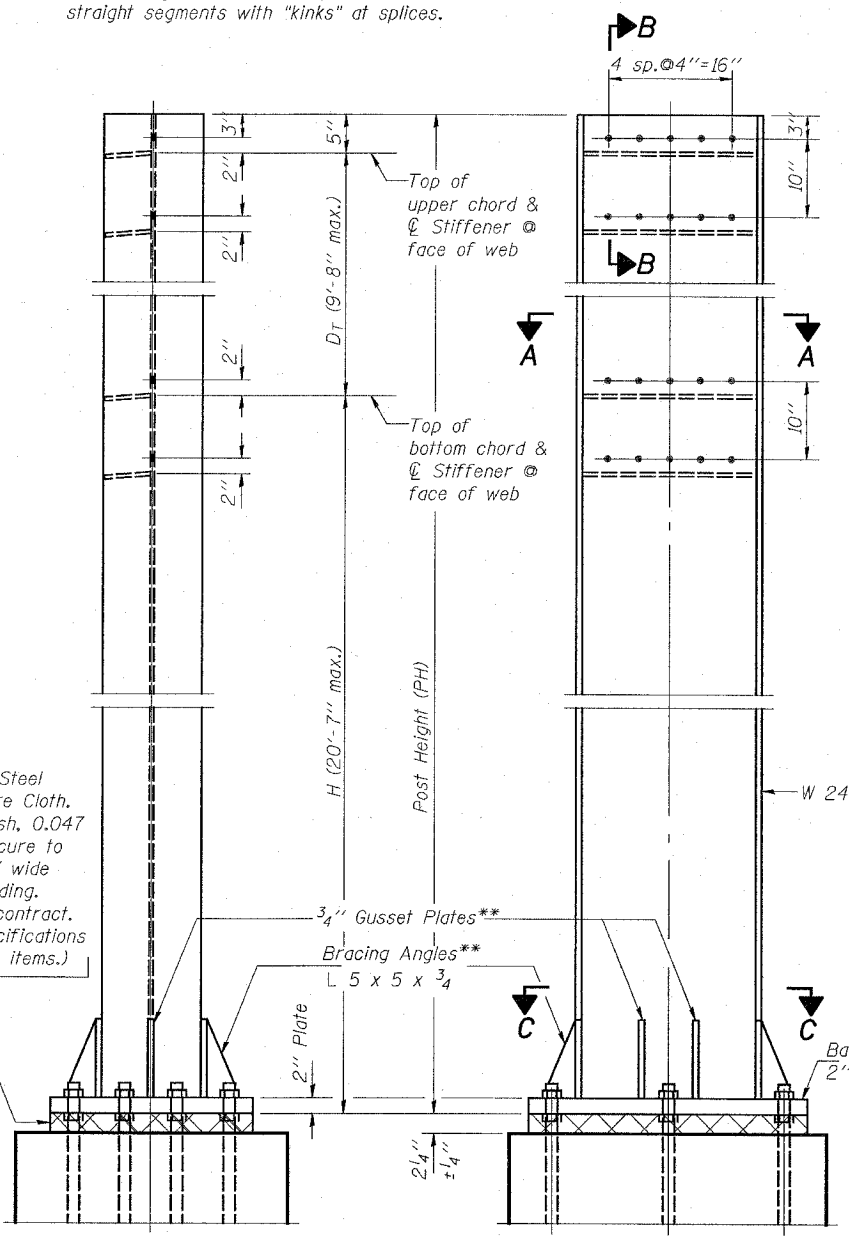


PLAN VIEW of CHORD SPLICE



SECTION THRU SPLICE

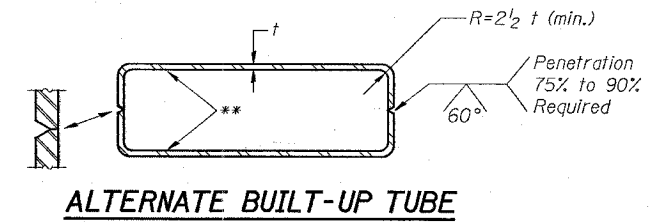
3" wide Stainless Steel Standard Grade Wire Cloth. Type 304, 4x4 Mesh, 0.047 wire diameter. Secure to base plate with 1/2" wide Stainless steel banding. Cost incidental to contract. (See Standard Specifications for Traffic Control Items.)



END ELEVATION

SIDE ELEVATION

POST



ALTERNATE BUILT-UP TUBE

Width, depth and thickness shall be as indicated for TS members shown in table.

Note: See Sheet OS-S-3 for Sections A-A, B-B and C-C.

Sign Structure Number	Station	Span L	DT	Camber @ Midspan	Exterior Unit Lgth. (L.E)	Interior Unit Lgth. (L.I)	No. of Panels (N)	Panel Space (P)	Chord Size	Vertical Size	End Space Dim. E	Left Post Dim. H	PH Left	Right Post Dim. H	PH Right
8S060S255R006.3	18+430	76.0	9' 8"	4"	26.0	24.0	12	6.0	TS14X6X3/8	TS10X6X3/8	2.0	17.684	27.767	17.684	27.767
ENG STA 1948+50															
8S060S255L013.9	30+760	62.5	9' 8"	4"	21.5	19.5	9	6.5	TS14X6X3/8	TS10X6X3/8	2.0	19.355	29.438	19.304	29.388
8S060S255R016.0	34+025	60.0	9' 8"	4"	17.5	25.0	9	6.25	TS14X6X3/8	TS10X6X3/8	1.875	19.562	29.646	17.561	27.645

** Indicates CVN test req'd. See General Notes on Sheet OS-S-1.

DESIGNED -	200
CHECKED -	EXAMINED
DRAWN -	PASSED
CHECKED -	ENGINEER OF BRIDGES AND STRUCTURES

OS-S-2 SPECIAL 7/01/2006

OVERHEAD SIGN STRUCTURES
 POST and CHORD DETAILS
 FAP 310
 SECTIONS 60-14-2 & 60-14-2B
 MADISON COUNTY