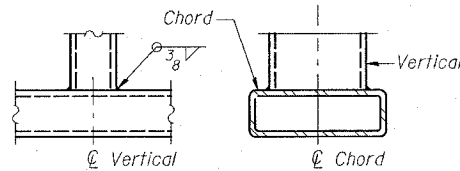
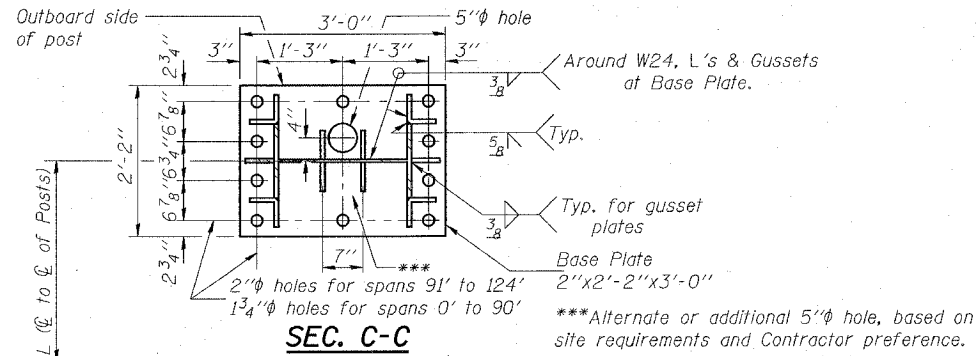
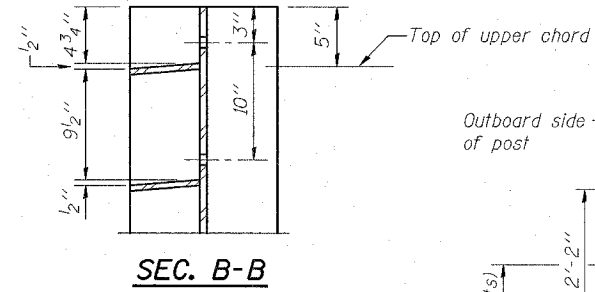
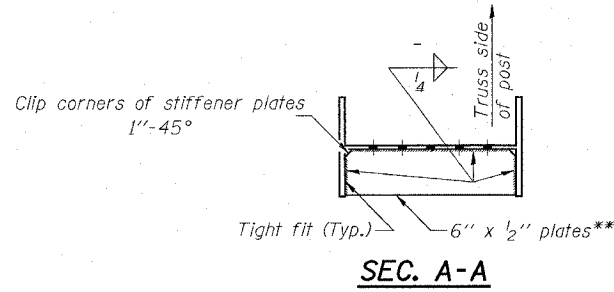


STATE OF ILLINOIS
DEPARTMENT OF TRANSPORTATION

SECTION 60-14-2				
CONTRACT NO. 76986				
F.A.P. RTE.	SECTION	COUNTY	TOTAL SHEETS	SHEET NO.
310		MADISON	418	103
STA. 1047+00		TO STA. 1048+75		
FED. ROAD DIST. NO. ILLINOIS FED. AID PROJECT				

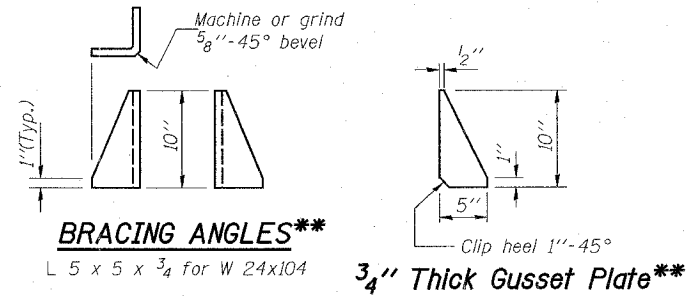


TYPICAL CONNECTION

Chord to Vertical

See, also, Sheet OS-S-1

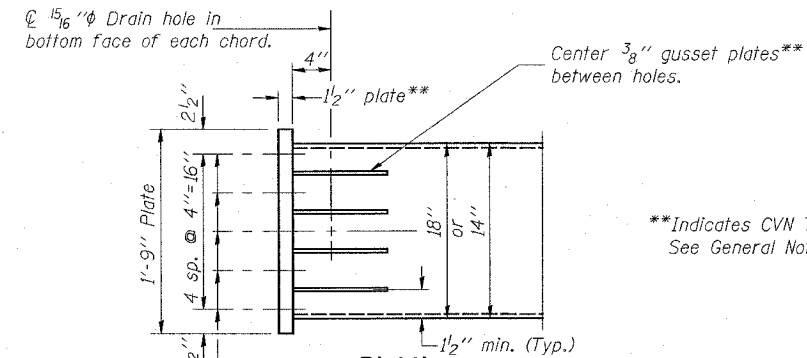
* Weld = 7/16" for L = 120' to 124'



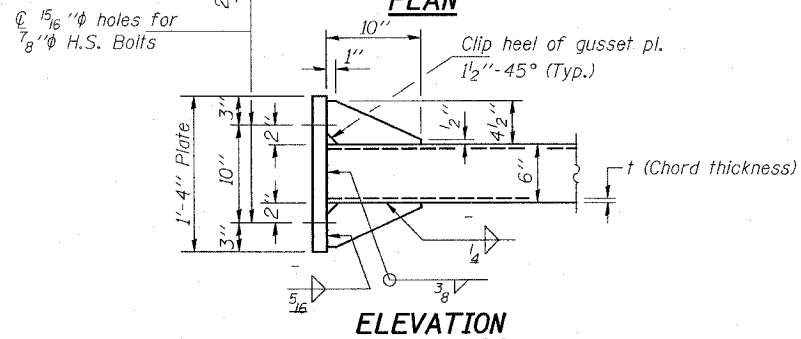
BRACING ANGLES**

L 5 x 5 x 3/4 for W 24x104

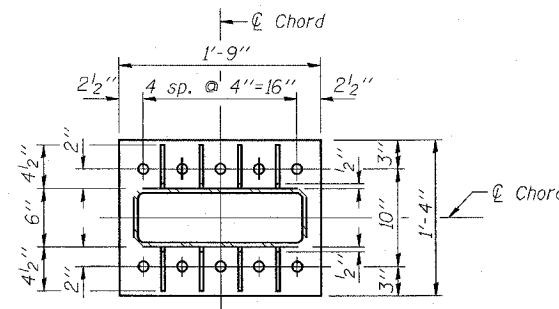
3/4" Thick Gusset Plate**



PLAN

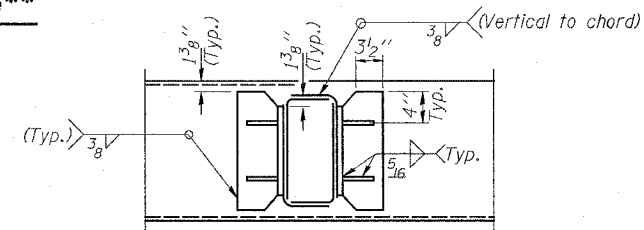


ELEVATION

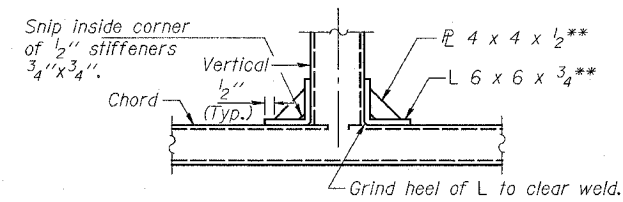


SECTION

CHORD END CONNECTION



PLAN



ELEVATION

STIFFENER DETAIL

DESIGNED -	200
CHECKED -	EXAMINED
DRAWN -	PASSED
CHECKED -	ENGINEER OF BRIDGE DESIGN
	ENGINEER OF BRIDGES AND STRUCTURES

OS-S-3 SPECIAL 7/01/2006

OVERHEAD SIGN STRUCTURES
POST AND CHORD DETAILS

SIGNING PLANS
FAP 310
SECTIONS 60-14-2 & 60-14-2B
MADISON COUNTY

(Sheet 3 of 6)