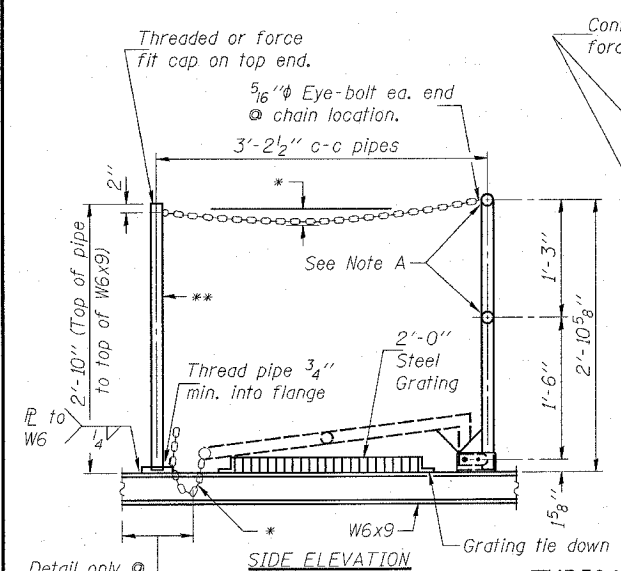
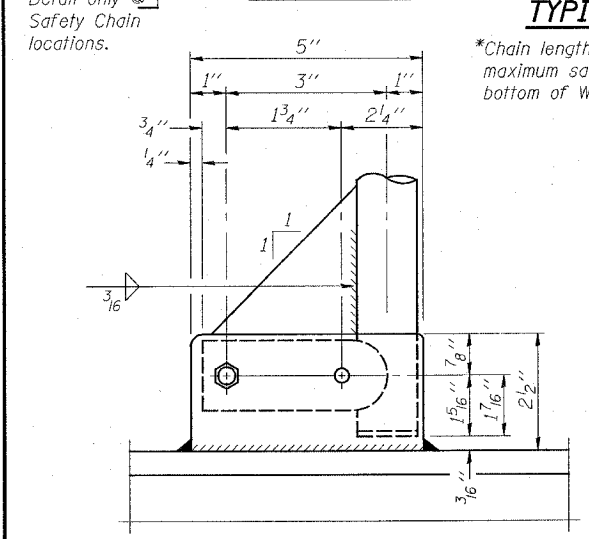


STATE OF ILLINOIS
 DEPARTMENT OF TRANSPORTATION

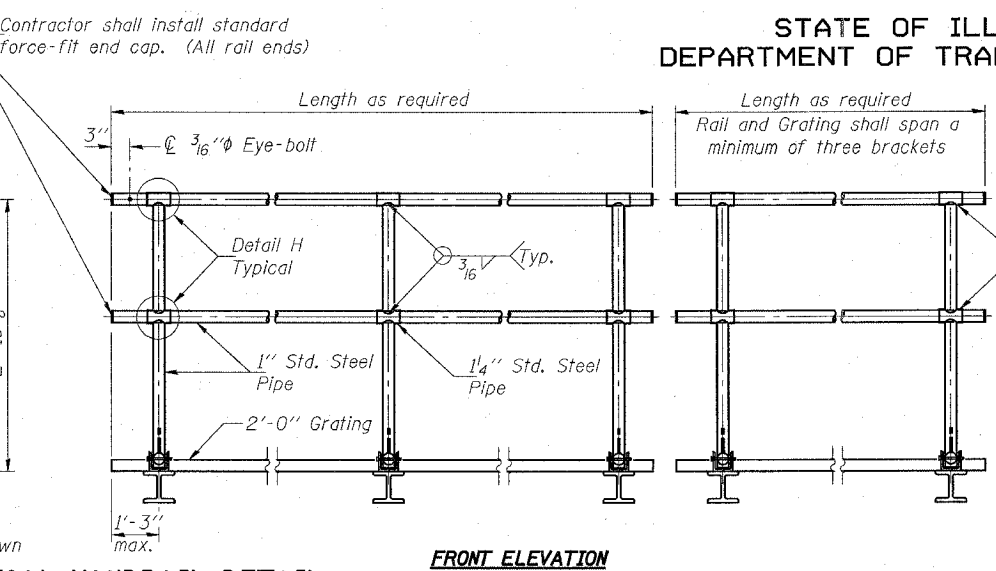


TYPICAL HANDRAIL DETAIL

*Chain length shall allow erection of handrail with maximum sag of 3" and shall not extend below bottom of W6x9 with railing lowered.



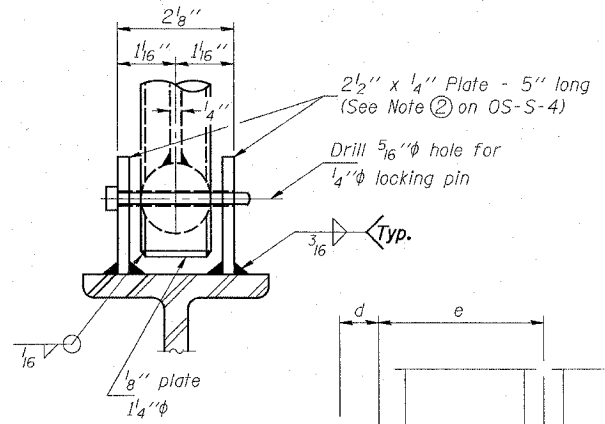
SIDE ELEVATION



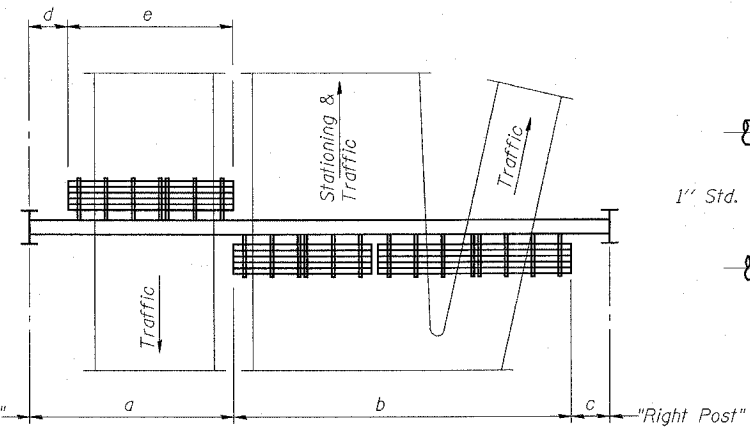
FRONT ELEVATION

**1" φ Std. galvanized steel pipe at brackets nearest ends of walkway to hold safety chain. Bottom end threaded 3/4" minimum into flange. Cap or weld plate on top of pipe.

3/16" link steel chain, hot-dip galvanized after manufacture, approximately 12 links per foot. Approximately 3 ft. of chain required for each.*



FRONT ELEVATION

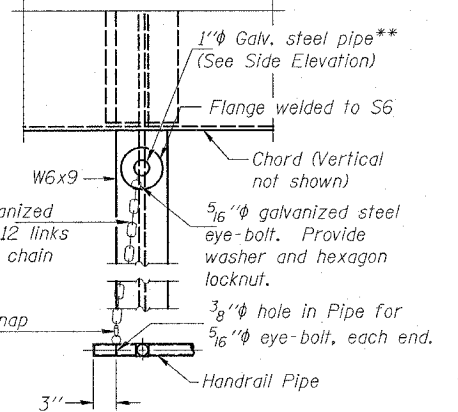


WALKWAY AND HANDRAIL SKETCH
 (Road plan shown beneath truss varies.)

Sign Structure Number	Station	a	b	c	d	e	Grating and Handrail Lengths
8S060S255R006.3 ENG STA 1948+50	18+430	12.0	49.0	15.0	0	0	49.0
8S060S255L013.9	33+760	12.0	36.0	14.5	0	0	36.0
8S060S255R016.0	34+025	14.5	32.0	13.5	0	0	32.0

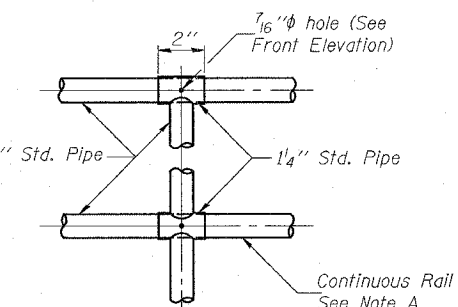
Note A: Horizontal rail member shall be continuous thru fitting. Provide 7/16" φ hole in fitting for 3/8" hot-dip galvanized bolt. Field drill 7/16" φ hole in horizontal rail member. Provide washer and locknut for bolt.

Note: Handrail Pipe shall be ASTM A-120 or A53.

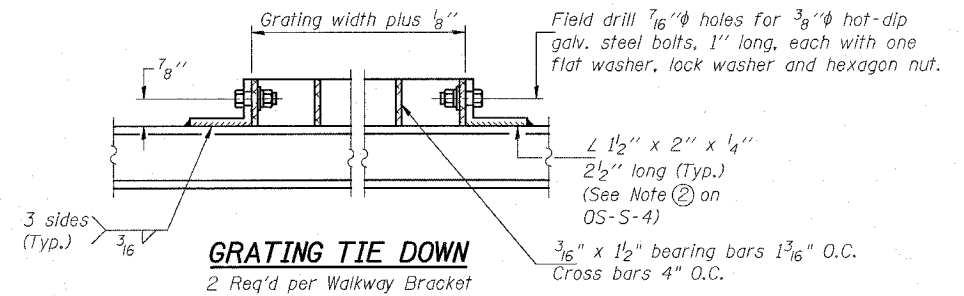


SAFETY CHAIN

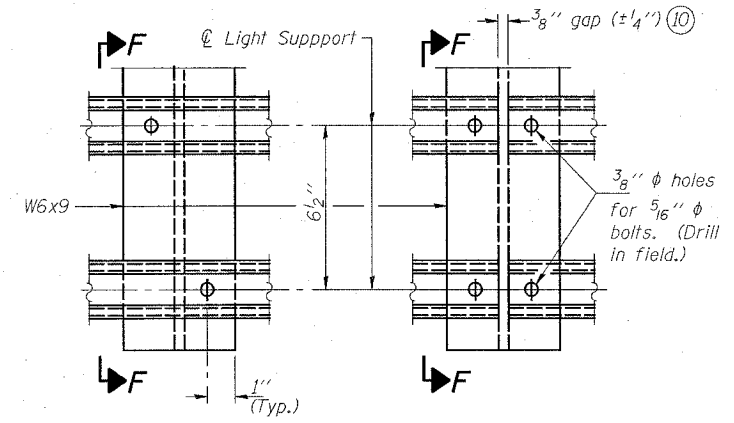
One (1) required for each end of each walkway.



DETAIL H

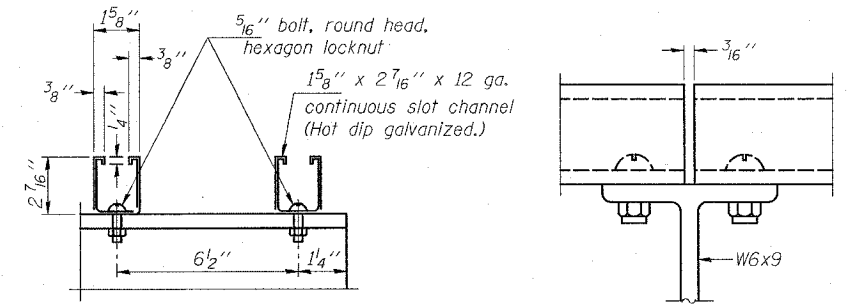


GRATING TIE DOWN
 2 Req'd per Walkway Bracket



DETAIL F

DETAIL G



SECTION F-F

SECTION G-G

LIGHTING FIXTURE MOUNTS (IF REQUIRED)

Field cut ends of light support channels shall be free of burrs or hazardous projections and coated with zinc-rich primer or equivalent.

All bolts, nuts and washers shall conform to ASTM A307, hot-dip galvanized per AASHTO M232.

OVERHEAD SIGN STRUCTURES
 STEEL WALKWAY DETAILS
 FAP 310
 SECTIONS 60-14-2 & 60-14-2B
 MADISON COUNTY

DESIGNED -	200
CHECKED -	EXAMINED
DRAWN -	PASSED
CHECKED -	ENGINEER OF BRIDGE DESIGN
	ENGINEER OF BRIDGES AND STRUCTURES