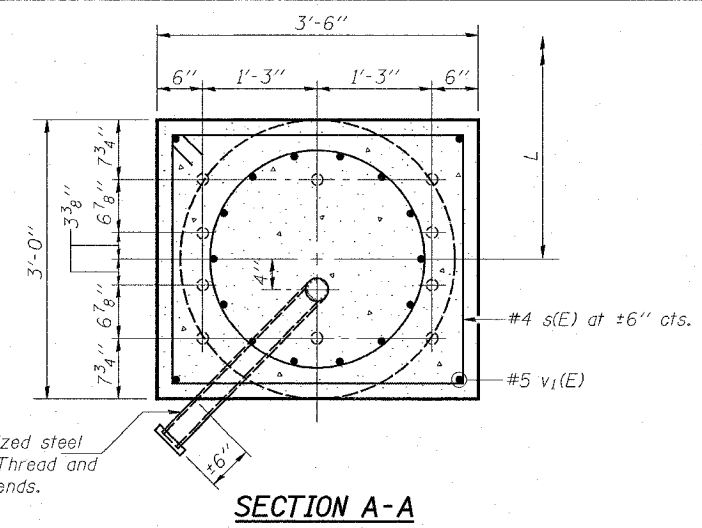
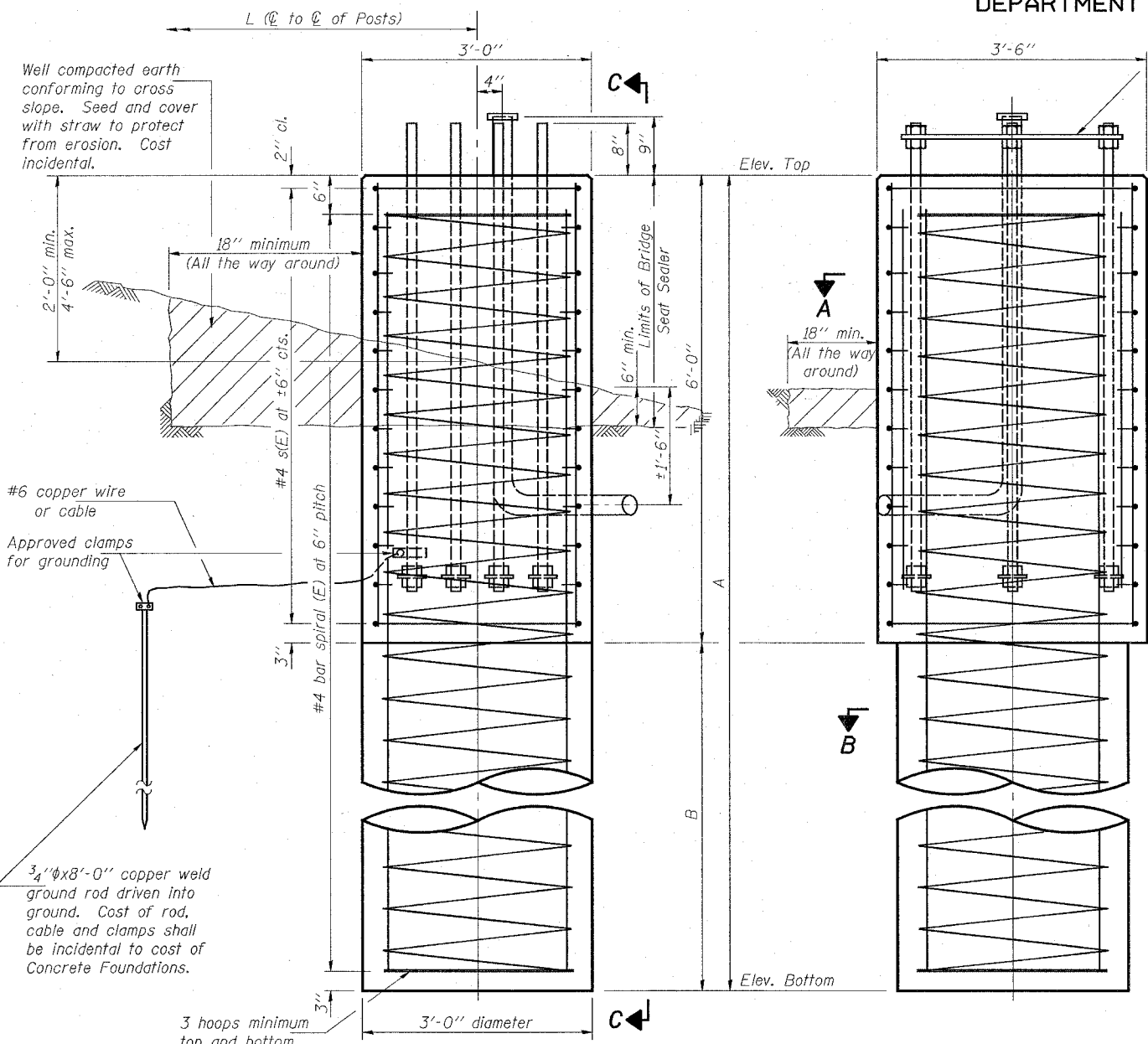


F.A.P. RTE.	SECTION	COUNTY	TOTAL SHEETS	SHEET NO.
310		MADISON	418	106
STA. 1047+00		TO STA. 1048+75		
FED. ROAD DIST. NO. ILLINOIS FED. AID PROJECT				

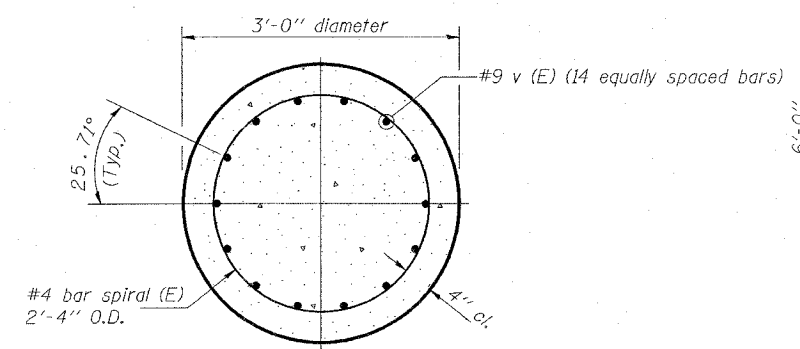
STATE OF ILLINOIS
DEPARTMENT OF TRANSPORTATION



SECTION A-A

NOTE: The anchor bolts and reinforcing cage must be in place before pouring concrete, and shall be maintained in proper position during concreting. Concrete placement shall be continuous with no construction joints permitted.

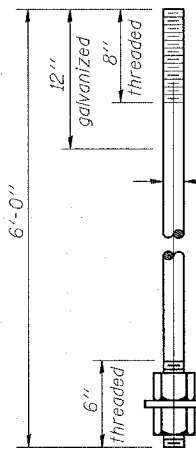
Provide one top locknut and one leveling nut with two 5/16"x2 1/2"x2 1/2" plate washers per rod. Nuts and washers shall be hot-dip galvanized in accordance with AASHTO M232. Top and leveling nuts shall be tightened to 200 ft.-lbs. against base plate during installation.



SECTION B-B

ANCHOR BOLT DETAILS

AASHTO M314 Grade 55. Minimum Charpy V-notch energy requirement of 15 ft.-lbs. at +10° F. before galvanizing. No welding is permitted on rods. Galvanize upper 12" in accordance with AASHTO M232.

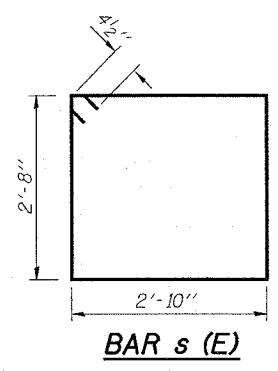


ELEVATION
(Looking parallel to ϕ Roadway)

VIEW C-C
(Looking toward Roadway)

BAR LIST-EACH FOUNDATION

Bar	No.	Size	Length	Shape
s(E)	12	#4	11'-9"	□
v(E)	14	#9	B+(5'-7")	—
v1(E)	4	#5	5'-3"	—
#4 bar spiral (E)-see Elevation				



DEPTH TABLE

Span	B (min.)
70'	15'
80'	15'
90'	16'
100'	17'
110'	18'
124'	20'

Sign Structure Number	Station	B	Anchor Bolt Size	Left Foundation			Right Foundation			Class SI Concrete
				Elev. Top	Elev. Btm.	A	Elev. Top	Elev. Btm.	A	
8S060S255R006.3	18+430	15.0	1.5"	137.518	131.117	21.0	137.518	131.117	21.0	11.0
ENG STA 1948+50										
8S060S255L013.9	30+760	15.0	1.5"	157.180	150.779	21.0	157.196	150.795	21.0	11.0
8S060S255R016.0	34+025	15.0	1.5"	167.39	160.99	21.0	168.00	161.60	21.0	11.0

NOTES:
The foundation details shown are for Average Cohesive Soil Conditions (stiff clays, sandy clays) and with minimum $Q_u=1.0$ Tons/Sq. Ft., with "Qu" being the average value at various depths of the shaft as determined by previous soil borings.
Cost of excavation, reinforcement, anchor bolts, conduit, concrete, Bridge Seat Sealer and associated work is incidental to "Drilled Shaft Concrete Foundations".

OVERHEAD SIGN STRUCTURES
FOUNDATION DETAILS

FAP 310
SECTIONS 60-14-2 & 60-14-2B
MADISON COUNTY

DESIGNED -	200
CHECKED -	EXAMINED
DRAWN -	PASSED
CHECKED -	ENGINEER OF BRIDGES AND STRUCTURES