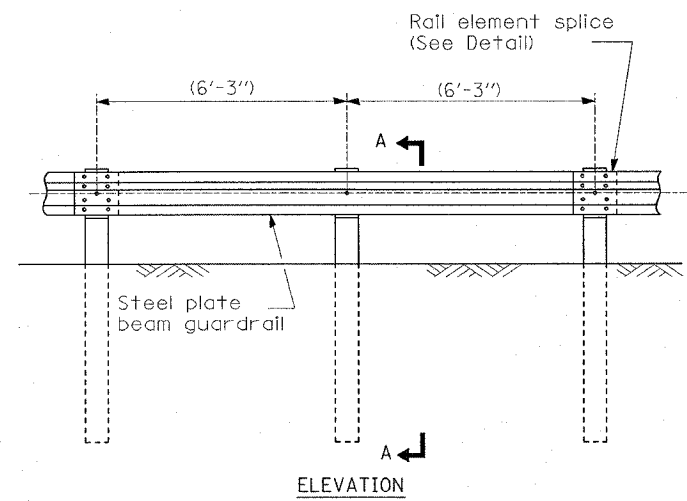
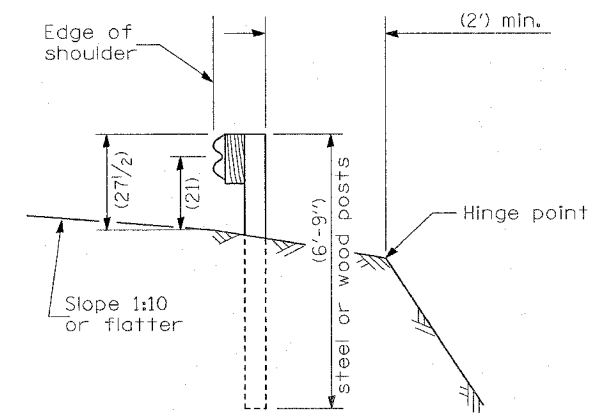


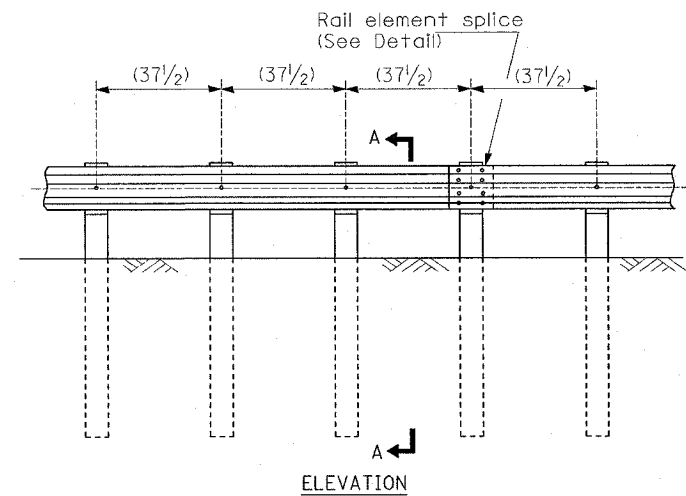
PLAN	DATE
BY	
CHECKED	
DESIGNED	
NOTED	
NO. OF WAYS CHECKED	
ADD FILE NAME	



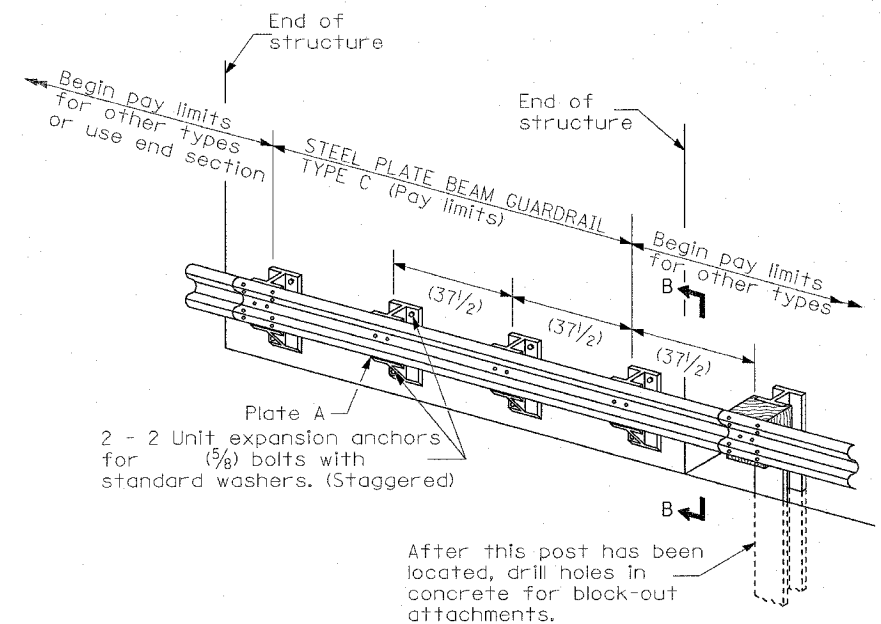
TYPE A
(6'-3") Typical post spacing



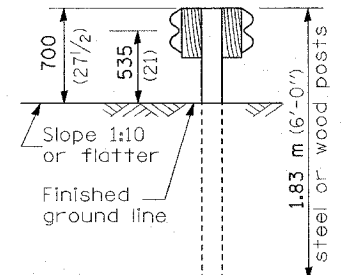
SECTION A-A



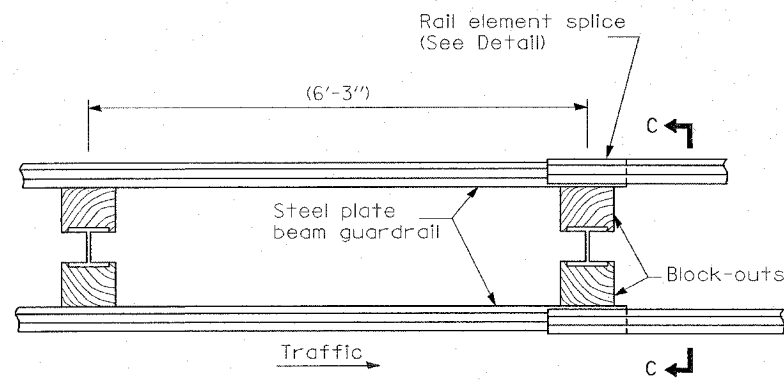
TYPE B
(37 1/2) Closed post spacing



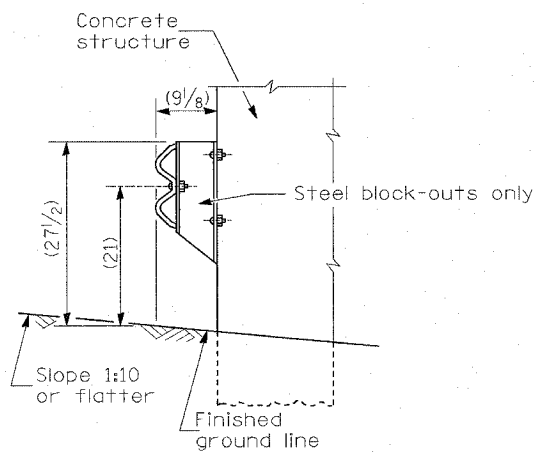
TYPE C
(37 1/2) Block-out spacing



SECTION C-C



TYPE D
Double steel plate beam guardrail
(6'-3") typical post spacing



SECTION B-B

GENERAL NOTES

All slope ratios are expressed as units of vertical displacement to units of horizontal displacement (V:H).
All dimensions are in (inches) unless otherwise shown.

REVISIONS	
NAME	DATE

ILLINOIS DEPARTMENT OF TRANSPORTATION
STEEL PLATE BEAM GUARDRAIL DETAIL
FAP ROUTE 789
SECTION 125RS-1, 125I-2TS-2
MADISON COUNTY
DRAWN BY:

DATE: 2/20/01
DRAWN BY: [illegible]
CHECKED BY: [illegible]
DESIGNED BY: [illegible]
NO. OF WAYS CHECKED: [illegible]
ADD FILE NAME: [illegible]