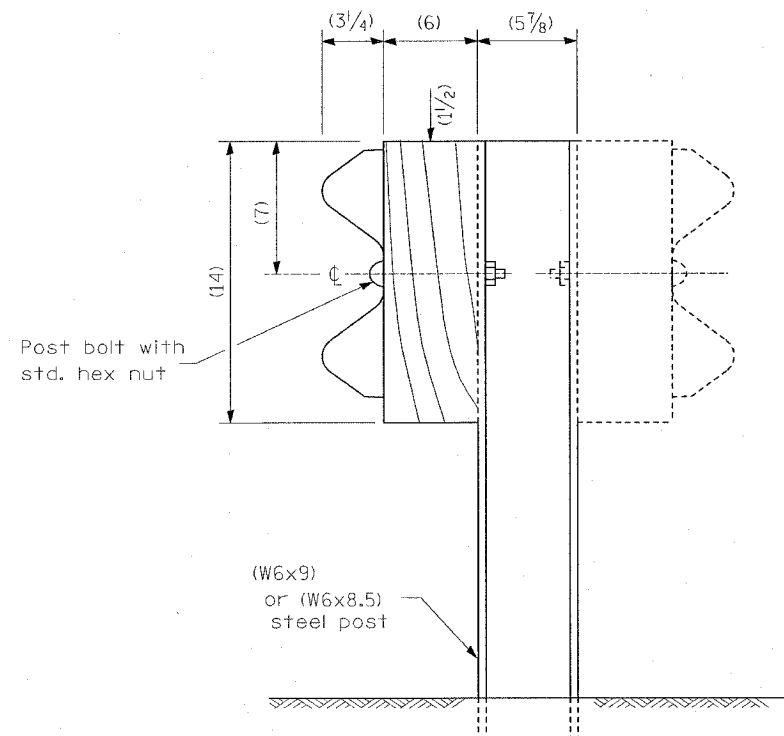
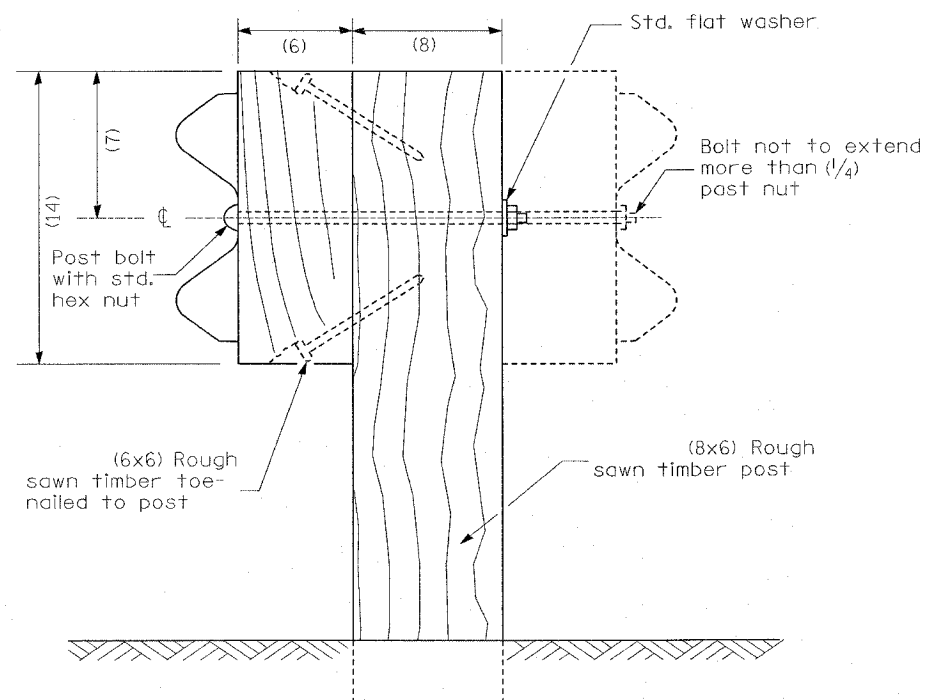


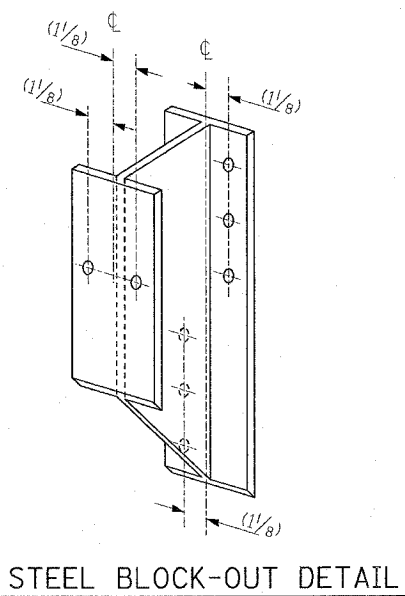
PLAN	DATE
BY	
CHECKED	
ALIGNED	
CAD FILE NAME	



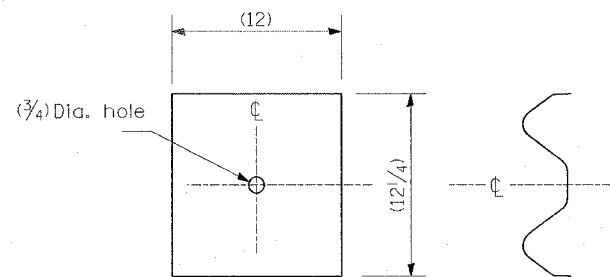
**STEEL POST CONSTRUCTION**



**WOOD POST CONSTRUCTION**



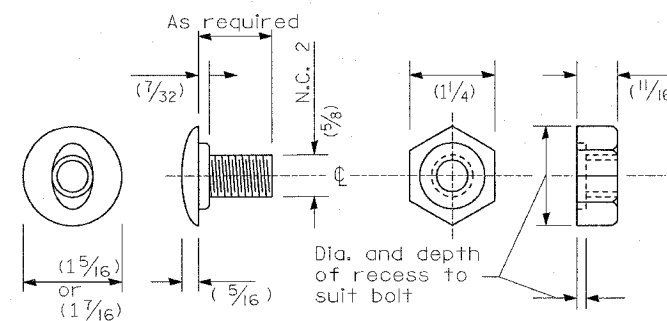
**STEEL BLOCK-OUT DETAIL**



**NOTE**

Plate A shall be placed between rail element and block-out at non-splice mounting points only when steel block-outs are used.

**PLATE A**



**POST OR SPLICE BOLT & NUT**

All dimensions are in (inches) unless otherwise shown.

REVISIONS	
NAME	DATE

ILLINOIS DEPARTMENT OF TRANSPORTATION

**STEEL PLATE BEAM  
GUARDRAIL DETAIL**

FAP ROUTE 789  
SECTION 125RS-1, 125I-2TS-2  
MADISON COUNTY

DRAWN BY:

PLOT DATE: 2/23/2007

2/23/2007  
 REF: 2/23/2007  
 REF: 2/23/2007  
 REF: 2/23/2007