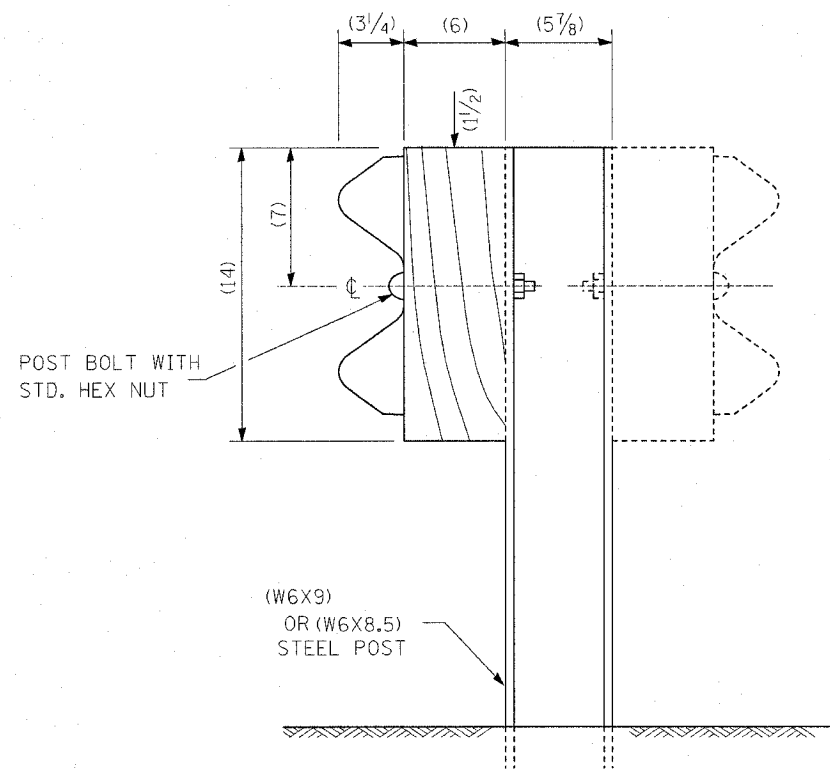
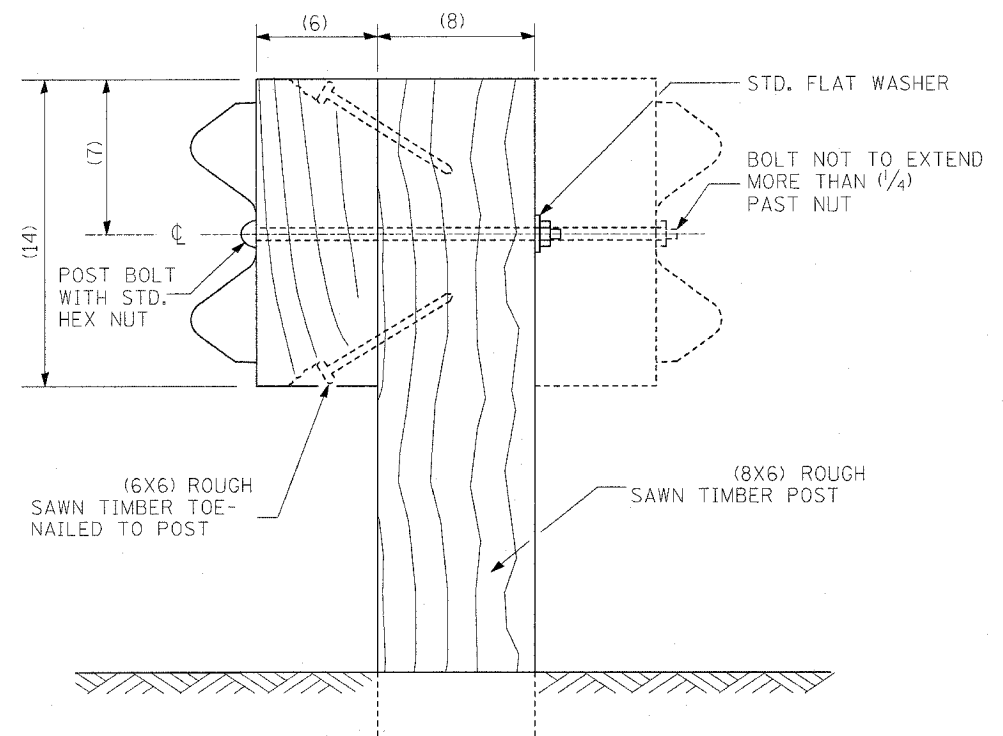


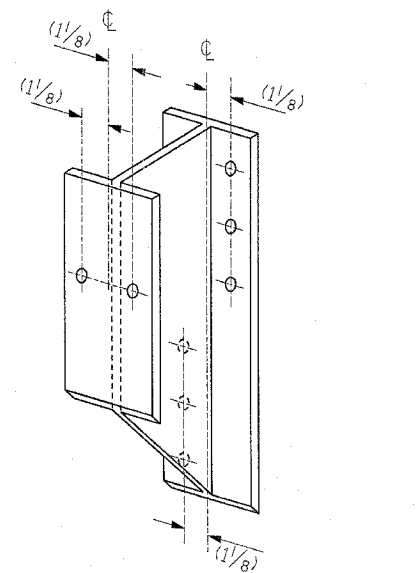
|                     |           |      |
|---------------------|-----------|------|
| PLAN                | SUBMITTED | DATE |
| NOTE BOOK           | REVISED   |      |
| NO. OF WAYS CHECKED | BY        |      |
| ADD FILE NAME       |           |      |



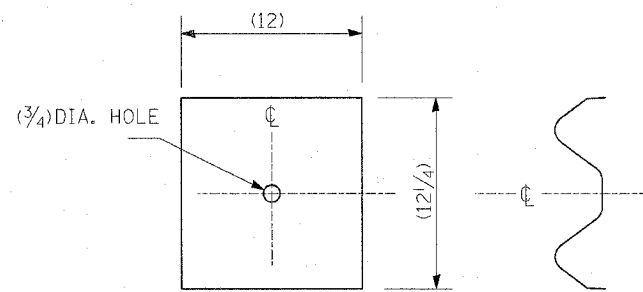
STEEL POST CONSTRUCTION



WOOD POST CONSTRUCTION



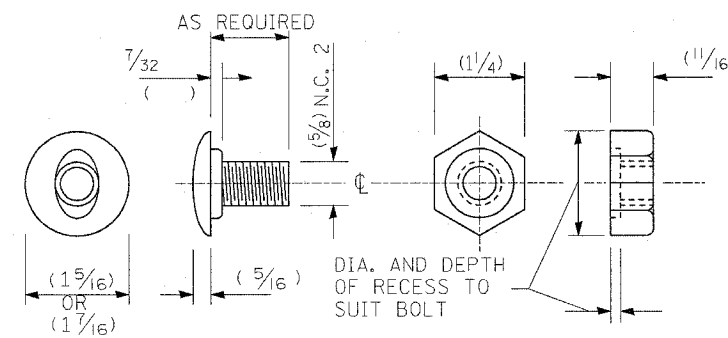
STEEL BLOCK-OUT DETAIL



NOTE

PLATE A SHALL BE PLACED BETWEEN RAIL ELEMENT AND BLOCK-OUT AT NON-SPLICE MOUNTING POINTS ONLY WHEN STEEL BLOCK-OUTS ARE USED.

PLATE A



POST OR SPLICE BOLT & NUT

ALL DIMENSIONS ARE IN (INCHES) UNLESS OTHERWISE SHOWN.

| REVISIONS |      |
|-----------|------|
| NAME      | DATE |
|           |      |
|           |      |
|           |      |
|           |      |
|           |      |

ILLINOIS DEPARTMENT OF TRANSPORTATION  
**REMOVE AND REERECT  
 STEEL PLATE BEAM GUARDRAIL  
 DETAIL**

FAP ROUTE 789  
 SECTION 125RS-1, 125I-2TS-2  
 MADISON COUNTY

DRAWN BY: