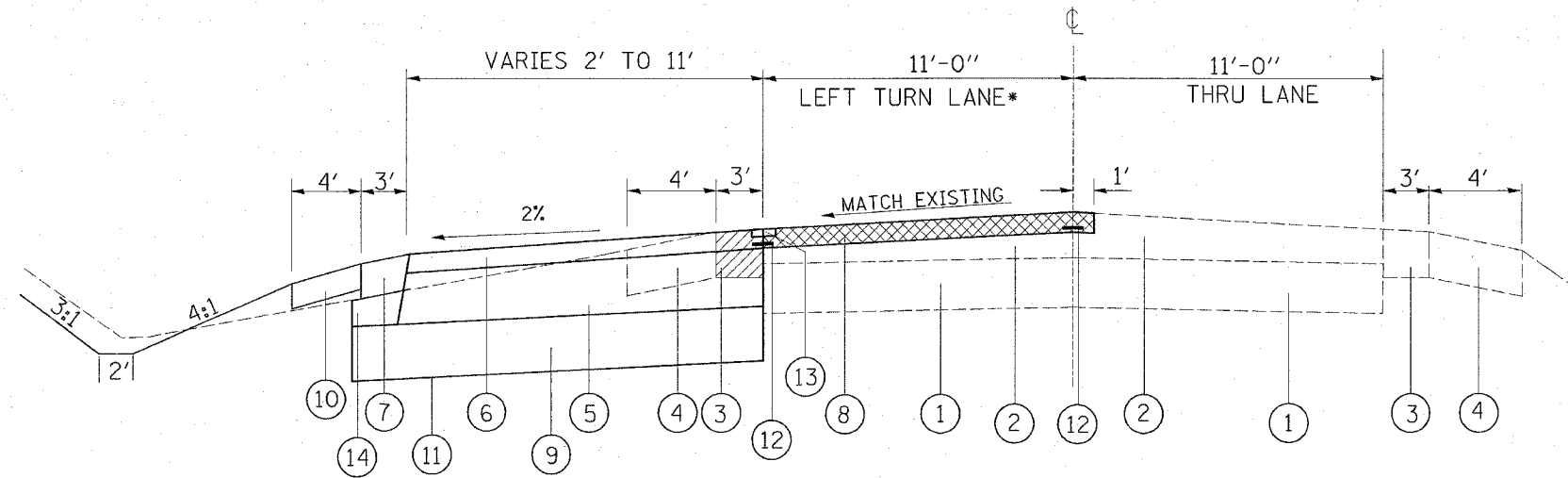
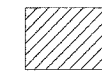


F.A.P. RTE.	SECTION	COUNTY	TOTAL SHEETS	SHEET NO.
793	T-2-I	MADISON	41	6
STA.	TO STA.			
FED. ROAD DIST. NO.	ILLINOIS	FED. AID PROJECT		



**TYPICAL SECTION**

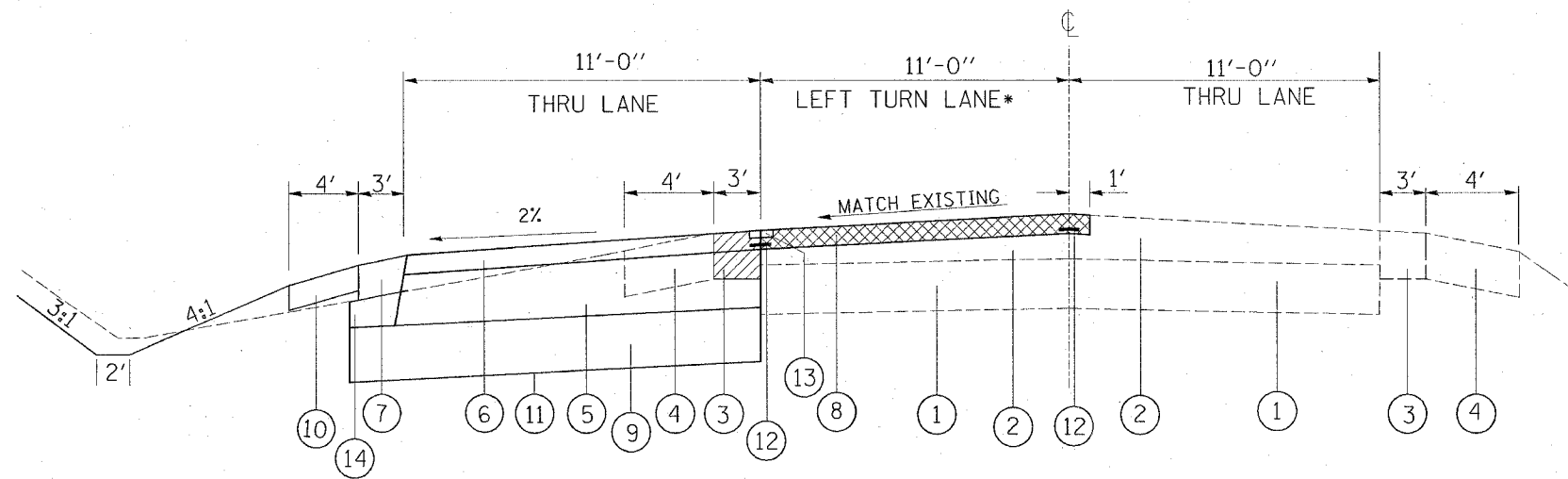
STA. 416+42.42 TO STA. 420+97.90  
 STA. 430+69.89 TO STA. 435+09.89



PROPOSED PAVED SHOULDER REMOVAL

**LEGEND**

- ① EXISTING PCC PAVEMENT 10"-8"-10"
- ② EXISTING HOT MIX ASPHALT RESURFACING 2 1/2"
- ③ EXISTING HOT MIX ASPHALT SHOULDER REMOVAL - 6"
- ④ EXISTING AGGREGATE SHOULDERS - 6"
- ⑤ PROPOSED HOT MIX ASPHALT BINDER 11 1/2"
- ⑥ PROPOSED POLYMERIZED HOT MIX ASPHALT SURFACE COURSE 1 1/2"
- ⑦ PROPOSED HOT MIX ASPHALT SHOULDERS 8"
- ⑧ PROPOSED POLYMERIZED HOT MIX ASPHALT RESURFACING 1 1/2"
- ⑨ PROPOSED AGGREGATE BASE COURSE TYPE A, 12"
- ⑩ PROPOSED AGGREGATE SHOULDERS TYPE B, 6"
- ⑪ PROPOSED GEOTECHNICAL FILTER FOR GROUND STABILIZATION
- ⑫ PROPOSED STRIP REFLECTIVE CRACK CONTROL
- ⑬ PROPOSED RUMBLE STRIP 16"
- ⑭ PROPOSED SUB-BASE GRANULAR MATERIAL, TYPE C



**TYPICAL SECTION**

STA. 420+97.90 TO STA. 430+69.89

\*NOTE: TYPICALS INCLUDES TAPERS FROM  
 STA. 416+42.42 TO STA. 420+97.90 &  
 STA. 430+70.16 TO STA. 435+09.89

PLOT DATE = #DAYS#  
 FILE NAME = #FILE#  
 PLOT SCALE = #SCALE#  
 REFERENCE = #REF#

REVISIONS	
NAME	DATE

ILLINOIS DEPARTMENT OF TRANSPORTATION  
**TYPICAL SECTIONS**  
 FAP ROUTE 793 (US 40)  
 SECTION T-2-I  
 MADISON COUNTY

SCALE: VERT. \_\_\_\_\_  
 HORIZ. \_\_\_\_\_  
 DATE \_\_\_\_\_

DRAWN BY \_\_\_\_\_  
 CHECKED BY \_\_\_\_\_