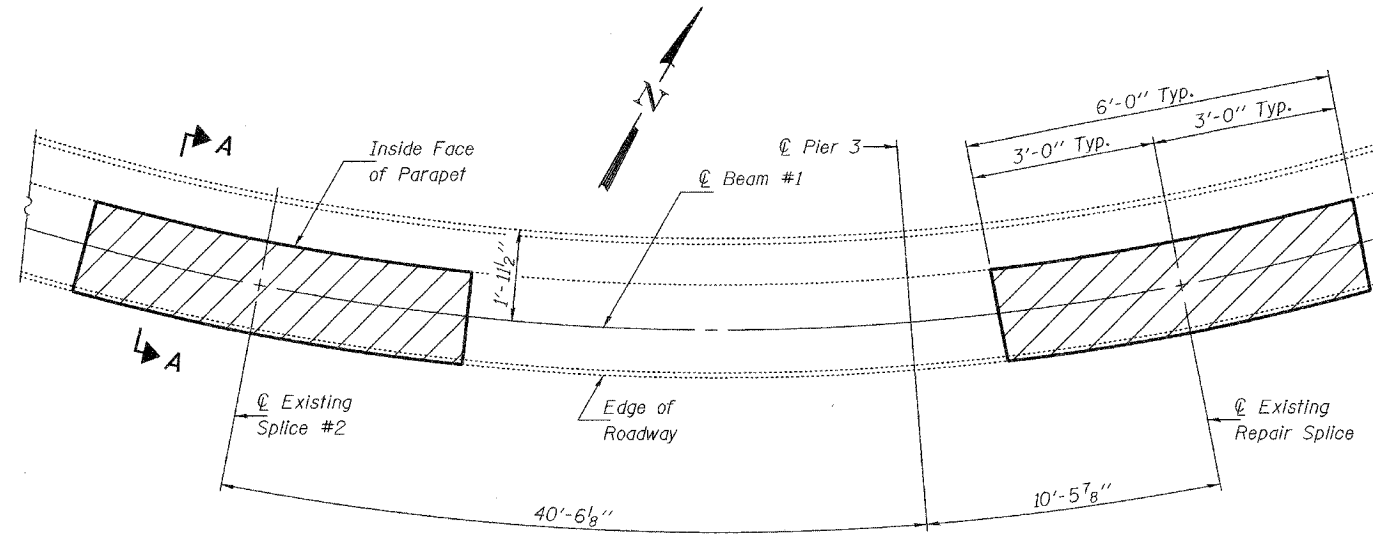
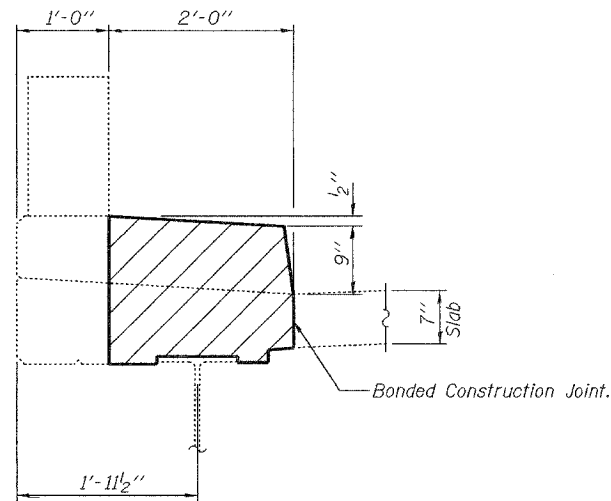


STATE OF ILLINOIS
DEPARTMENT OF TRANSPORTATION

ROUTE NO.	SECTION	COUNTY	TOTAL SHEETS	SHEET NO.	SHEET NO. 2 4 SHEETS
F.A. 809		MONROE	9	7	
FED. ROAD DIST. NO. 7	ILLINOIS	FED. AID PROJECT			



PARTIAL DECK PLAN
(For Beam #1, Spans 3 & 4)



SECTION A-A

NOTES:

Hatched areas indicate concrete sections to be removed and replaced. Perimeters of Concrete Removal areas shall be saw cut $\frac{3}{4}$ " prior to the removal of concrete.
Reinforcement shall be cut only if required for fitting bolts.
Cut reinforcement shall be spliced as directed by the Engineer.
Cost included with "Concrete Removal".

DESIGNED	AJB
CHECKED	ATH
DRAWN	baliva
CHECKED	AJB ATH

FEBRUARY 28, 2007
EXAMINED *Carl Kreny*
REPAIR PLANS UNIT CHIEF
PASSED *Ralph E. Anderson*
ENGINEER OF BRIDGES AND STRUCTURES

BRIDGE REPAIRS
IL 158 OVER IL 3
SBI RT. 158
MONROE COUNTY
SN 067-0006