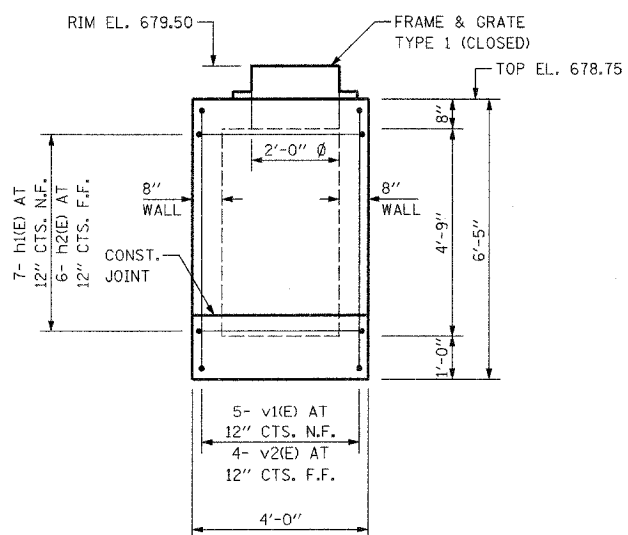
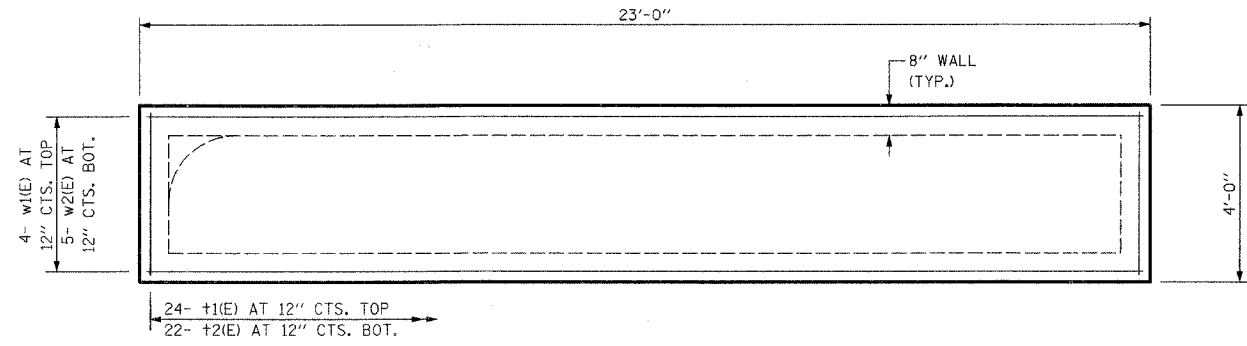
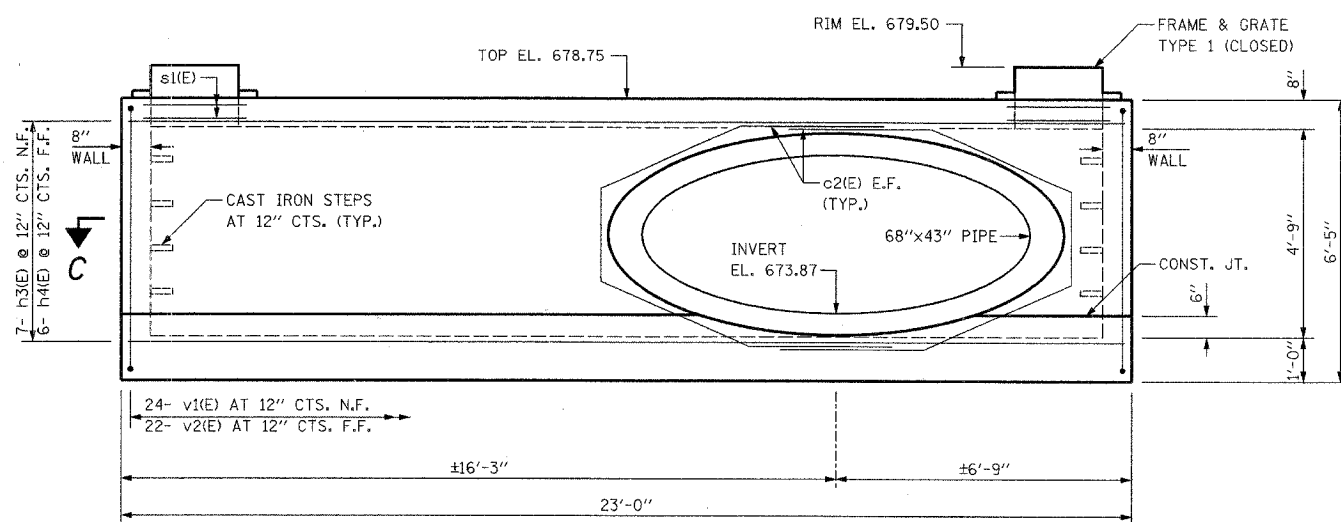
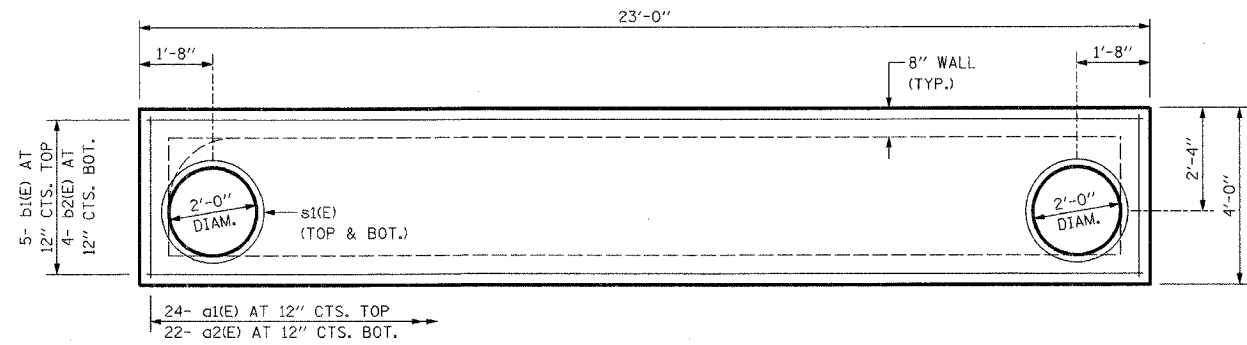
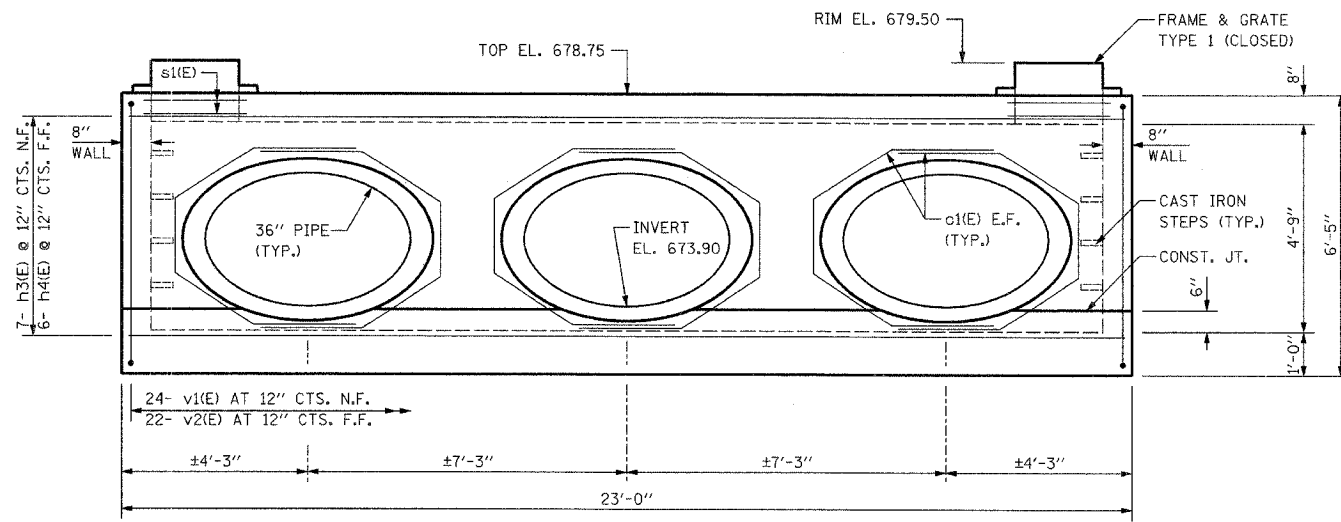


FILE	SECTION	COUNTY	TOTAL SHEETS	SHEET NO.
1215	99-00169-05-WR	LAKE	153	68
JUNCTION CHAMBER DETAILS				
CONTRACT NO. 83847		ILLINOIS	SUNSET AVENUE	



WEST WALL - ELEVATION VIEW
EAST WALL SIMILAR

DATE	
BY	
REVISIONS	
PLANNED	
NOTED	
NO.	

DATE	
BY	
REVISIONS	
PROFILE	
NOTED	
NO.	

REVISIONS	NAME	DATE

Lake County
Division of Transportation

SUNSET AVENUE
JUNCTION CHAMBER
DETAILS