

County	Fiscal Year	Sheet No.	Total Sheets
Highway		87	116

NOTES (SUPPLEMENTAL TO I.D.O.T. STANDARDS)

STANDARDS 606101, 606201 AND 606006 - TYPE A GUTTER, TYPE B GUTTER AND OUTLET FOR CURB AND GUTTER

TIE BARS SHALL BE NO. 15 (NO. 5) SPACED AT 750 mm (30 IN.) CENTERS.

CONCRETE INLETS, ENTRANCES AND OUTLETS FOR GUTTER OR COMBINATION CURB AND GUTTER SHALL BE PAID FOR AT THE CONTRACT UNIT PRICE PER METER (FOOT) FOR THE PARTICULAR TYPE OF GUTTER OR COMBINATION CURB AND GUTTER SPECIFIED.

STANDARD 606001 - CURB AND COMBINATION CURB AND GUTTER

VARIABLE CURB TABLE					
TYPE	A	B	C	D	R
B-V.30 (B-V.12)	300 (12)	50 (2)	125 (5)	VARIABLE	25 (1)
B-V.45 (B-V.18)	450 (18)	50 (2)	125 (5)	VARIABLE	25 (1)
B-V.60 (B-V.24)	600 (24)	50 (2)	125 (5)	VARIABLE	25 (1)

VARIABLE CURB AND GUTTER SHALL BE CONSTRUCTED WITH THE HEIGHT OF CURB VARYING BETWEEN 100 mm (4 IN.) AND 225 mm (9 IN.), AS REQUIRED, THE TOP OF CURB ELEVATION SHALL BE DETERMINED BY THE ENGINEER.

LONGITUDINAL JOINT TIE BARS SHALL BE NO. 15 (NO. 5) SPACED AT 750 mm (30 IN.) CENTERS. AT THE CONTRACTOR'S OPTION, TIE BARS MAY BE BENT AT RIGHT ANGLES AGAINST THE EDGE OF THE CONCRETE PAVEMENT AND STRAIGHTENED INTO FINAL POSITION BEFORE THE CURB AND GUTTER IS PLACED, SUBJECT TO THE APPROVAL OF THE ENGINEER.

WHERE EXISTING CURB AND GUTTER IS TO BE REMOVED AND REPLACED ADJACENT TO EXISTING CONCRETE PAVEMENT REMAINING IN PLACE, THE CONTRACTOR SHALL PERFORM THE REMOVAL SO THAT THE EXISTING TIE BARS CAN BE USED IN TYING THE NEW CURB AND GUTTER TO THE EXISTING PAVEMENT. ANY TIE BARS WHICH ARE DAMAGED OR MISSING SHALL BE REPLACED WITH NO. 20 (NO. 6) TIE BARS, 600 mm (24 INCHES) LONG, EMBEDDED 200 mm (8 INCHES) AT 600 mm (24 INCH) CENTERS IN ACCORDANCE WITH ARTICLE 420.10 (B) OF THE STANDARD SPECIFICATIONS. THE COST OF FURNISHING AND INSTALLING THE TIE BARS SHALL BE CONSIDERED AS INCLUDED IN THE CONTRACT UNIT PRICE FOR THE PARTICULAR TYPE OF CURB AND GUTTER SPECIFIED.

THE DEPTH OF THE CURB OR COMBINATION CURB AND GUTTER SHALL BE EQUIVALENT TO THE DEPTH OF THE ADJACENT PAVEMENT, REGARDLESS OF PAVEMENT COMPOSITION.

STANDARD 353001 - PCC BASE WITH BITUMINOUS BINDER AND SURFACE COURSE

TIE BARS SHALL BE NO. 15 (NO. 5) SPACED AT 750 mm (30 IN.) CENTERS.

STANDARD 420001 - PAVEMENT JOINTS

JOINTS AND REINFORCEMENT BARS SHALL BE PLACED IN ACCORDANCE WITH THE P.C. CONCRETE PAVEMENT DETAIL SHOWN ON THIS SHEET.

LONGITUDINAL CONSTRUCTION JOINTS SHALL BE CONSTRUCTED IN ACCORDANCE WITH THE DETAIL SHOWN ON THIS SHEET. AT THE CONTRACTOR'S OPTION, TIE BARS MAY BE BENT AT RIGHT ANGLES AGAINST THE TYPE C METAL JOINT AND STRAIGHTENED INTO FINAL POSITION BEFORE THE ADJACENT CONCRETE PAVEMENT POUR, SUBJECT TO THE APPROVAL OF THE ENGINEER.

TIE BARS SHALL BE NO. 15 (NO. 5).

TRANSVERSE SAWED CONTRACTION JOINTS, TRANSVERSE CONSTRUCTION JOINTS AND JOINTS AT CONTRACT TERMINALS SHALL BE CONSTRUCTED IN ACCORDANCE WITH THE DETAILS SHOWN ON THIS SHEET.

STANDARD 420701 - PAVEMENT FABRIC

PAVEMENT FABRIC DEPTH SHALL BE IN ACCORDANCE WITH THE DETAIL SHOWN ON THIS SHEET.

DISREGARD ALL DETAILS AND NOTES REGARDING PAVEMENTS BLOCK-OUTS, AND COMPLY WITH STANDARD 420111-P.C.C. PAVEMENT ROUNDOUTS AT ALL DRAINAGE/UTILITY STRUCTURE LOCATIONS.

STANDARD 442101 - CLASS B PATCHES

IF A SAWED LONGITUDINAL JOINT IS REQUIRED, TIE BARS SHALL BE NO. 15 (NO. 5) SPACED AT 750 mm (30 IN.) CENTERS.

STANDARD 442201 - CLASS C AND D PATCHES

CLASS C PATCHES SHALL BE TIED TO THE EXISTING PAVEMENT ALONG ALL SIDES OF THE PATCH WITH NO. 20 (NO. 6) TIE BARS, 600 mm (24 INCHES) LONG, EMBEDDED 200 mm (8 INCHES) AT 600 mm (24 INCH) CENTERS IN ACCORDANCE WITH ARTICLE 420.10 (B) OF THE STANDARD SPECIFICATIONS. MINIMUM 3 BARS ON EACH SIDE. THE COST OF FURNISHING AND INSTALLING THE TIE BARS SHALL BE CONSIDERED AS INCLUDED IN THE CONTRACT UNIT PRICE FOR CLASS C PATCHES.

ALL GUARDRAIL AND TRAFFIC BARRIER TERMINAL STANDARDS

BITUMINOUS SHOULDERS, SUPERPAVE 150 mm (6 IN.), SHALL BE PLACED UNDERNEATH THE ENTIRE LENGTH OF ALL PROPOSED GUARDRAIL AND TRAFFIC BARRIER TERMINALS AND EXTEND 0.6 m (2 FT.) BEYOND THE TERMINAL ENDS. THE WIDTH OF THE SHOULDER SHALL EXTEND ONE FOOT BEYOND EITHER SIDE OF THE POSTS FOR THE GUARDRAIL AND TRAFFIC BARRIER TERMINALS AND AS SHOWN ON THE PLANS. EARTH EXCAVATION NECESSARY FOR PLACEMENT OF THE SHOULDER SHALL BE CONSIDERED AS INCLUDED IN THE CONTRACT UNIT PRICE FOR BITUMINOUS SHOULDERS, SUPERPAVE 150 mm (6 IN.).

NOTE:
THE INTENT OF THIS STANDARD IS TO REFLECT ADDITIONS OR VARIATIONS TO I.D.O.T. STANDARDS CONTAINED IN THE PLANS. THIS STANDARD SHALL GOVERN OVER THE I.D.O.T. STANDARDS.

DETAIL NOTES

SEE I.D.O.T. STANDARDS FOR DETAILS NOT SHOWN.

ALL DIMENSIONS ARE IN MILLIMETERS (INCHES) UNLESS OTHERWISE SHOWN.

ALL TIE BAR SIZES ARE METRIC (STANDARD)

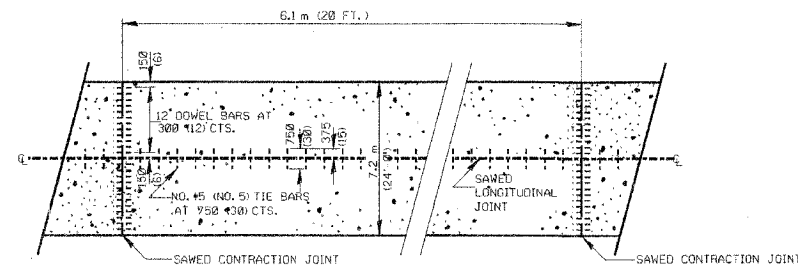
t = PAVEMENT THICKNESS

REVISED: OCT. 2004 (REMOVED SAWED CONTRACT JT. DETAILS)
REVISED: SEPTEMBER 2004 (20 FT. SAWED CONTRACT, JT.)
REVISED: JUNE 2004 (SAWED CONTRACT, JT.)
REVISED: DEC. 2002
REVISED: NOVEMBER 2000

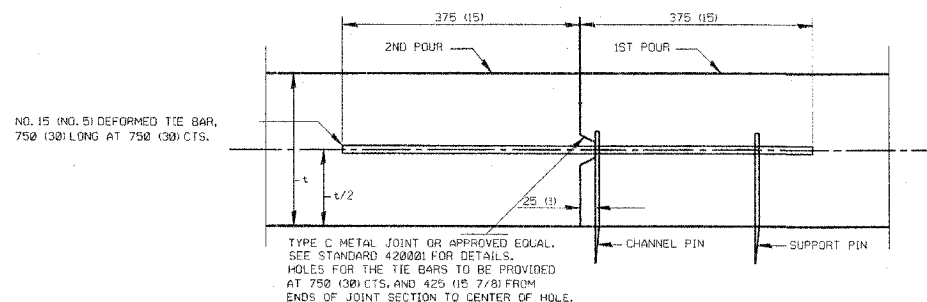
COOK COUNTY DETAILS
(FOR EUCLID AVENUE ONLY)

COUNTY OF COOK
DEPARTMENT OF HIGHWAYS
DETAILS AND NOTES FOR CONSTRUCTION OF
PAVEMENT AND PAVEMENT APPURTENANCES
(SUPPLEMENTAL TO I.D.O.T. STANDARDS)

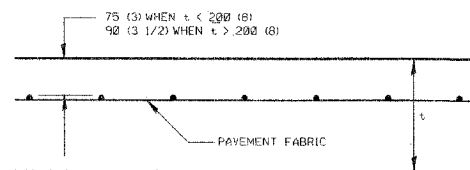
COMPUTED BY: S.M.V.
DRAWN BY: V.M.
CHECKED BY: D.J.S.



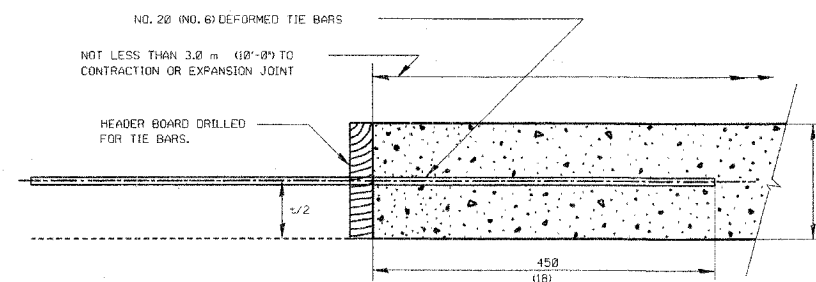
P.C. CONCRETE PAVEMENT DETAIL
SEE I.D.O.T. STANDARDS 420001 AND 420701 FOR ADDITIONAL DETAILS



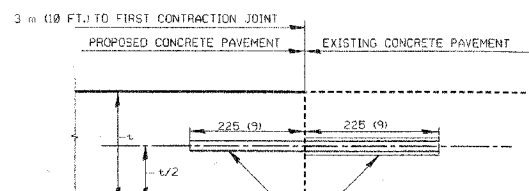
LONGITUDINAL CONSTRUCTION JOINT DETAIL
TYPE A - INSTALL TIE BARS
TYPE B - OMIT TIE BARS



PAVEMENT FABRIC DETAIL
SEE I.D.O.T. STANDARD 420701 FOR ADDITIONAL DETAILS



TRANSVERSE CONSTRUCTION JOINT DETAIL



DOWEL BARS - SIZE AND SPACING SHALL BE THE SAME AS THAT USED AT SAWED CONTRACTION JOINTS.
DRILL AND GROUT - IF DOWEL BARS HAVE NOT BEEN PROVIDED IN THE EXISTING PAVEMENT, THEY SHALL BE FURNISHED AND INSTALLED AS SHOWN. THE COST SHALL BE CONSIDERED AS INCLUDED IN THE CONTRACT UNIT PRICE FOR P.C. CONCRETE PAVEMENT.

JOINT DETAIL AT CONTRACT TERMINAL(S)