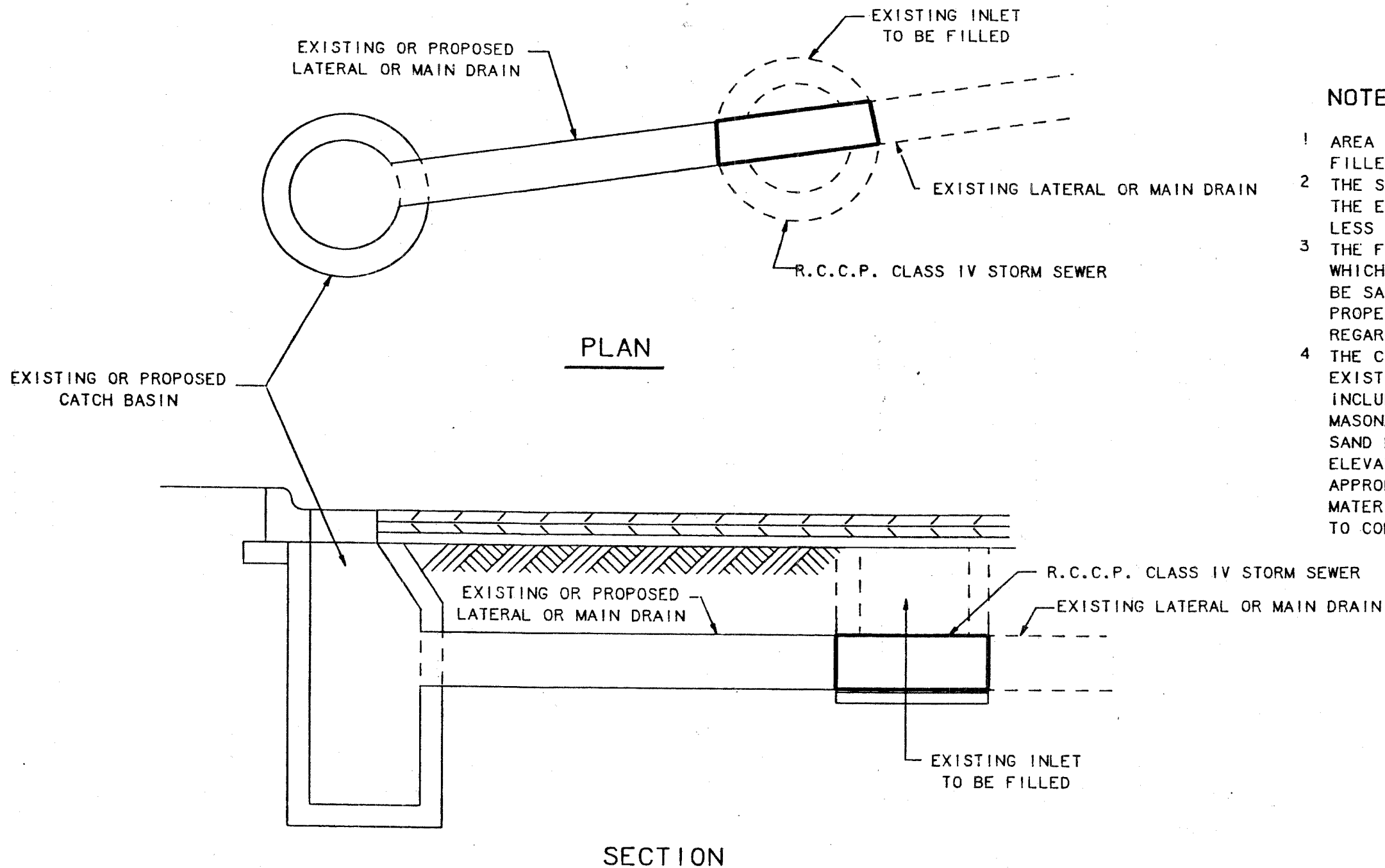


County Highway	Fiscal Year	Sheet No.	Total Sheets
		88	116



NOTES

- 1 AREA OF EXISTING INLET SHALL BE FILLED WITH SAND.
- 2 THE STORM SEWER FOR CONNECTION THROUGH THE EXISTING INLET SHALL BE NO LESS THAN 305mm (12IN.) IN DIAMETER.
- 3 THE FRAME AND LID OF THE EXISTING INLET WHICH ARE TO BE FILLED ARE TO BE SALVAGED AND STOCKPILED. THE PROPER AGENCY IS TO BE NOTIFIED REGARDING THEIR RETRIEVAL.
- 4 THE CONTRACT UNIT PRICE, FILLING EXISTING INLET (SPECIAL) SHALL INCLUDE THE REMOVAL OF EXISTING MASONRY, ALL BACKFILLING WITH SAND BACKFILL TO THE SUB GRADE ELEVATION, A MINIMUM 1.5m (5') OF THE APPROPRIATE PIPE AND ALL OTHER MATERIALS AND LABOR NECESSARY TO COMPLETE THIS INSTALLATION.

DETAIL OF STORM SEWER THROUGH EXISTING INLET

STANDARD A-79-A	
COUNTY OF COOK DEPARTMENT OF HIGHWAYS	
FILLING EXISTING INLET (SPECIAL)	
COMPUTED T.M.P.	APPROVED 11-12-88
DRAWN T.M.P.	<i>Thomas J. Papp</i>
CHECKED D.A.P.	<i>Andrew J. Papp</i>