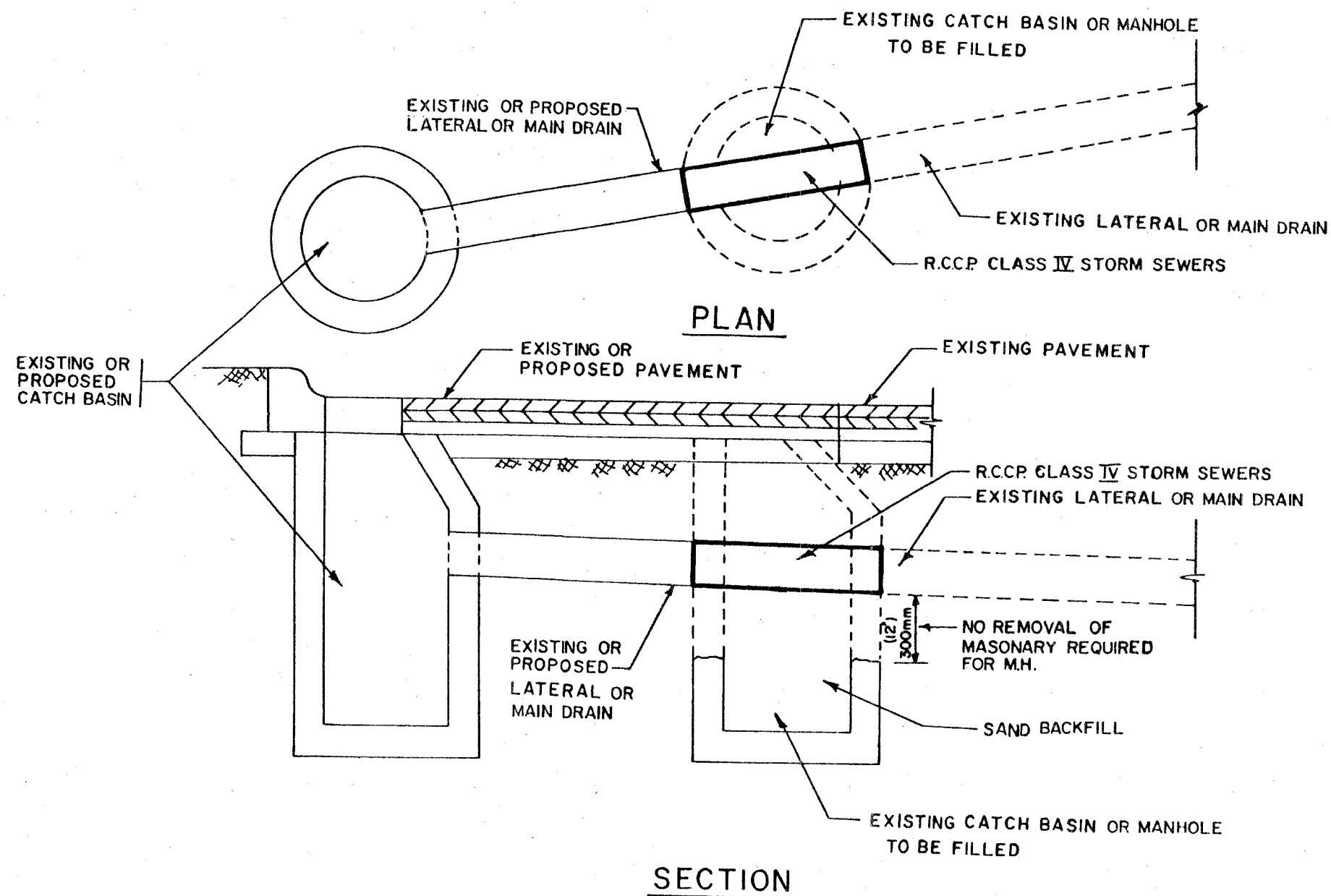


County Highway	Fiscal Year	Sheet No.	Total Sheets
		89	116



DETAIL OF STORM SEWER THROUGH EXISTING CATCH BASIN

NOTES

1. WALLS OF EXISTING CATCH BASIN TO BE REMOVED TO A LEVEL AT LEAST 300mm (1FT) BELOW PIPE.
2. EXISTING CATCH BASIN SHALL BE FILLED WITH SAND.
3. THE STORM SEWER FOR CONNECTION THROUGH THE EXISTING CATCH BASIN SHALL BE NO LESS THAN 300mm (12 IN.)
4. THE FRAME AND LID OF EXISTING CATCH BASINS WHICH ARE TO BE FILLED ARE TO BE SALVAGED AND STOCKPILED. THE PROPER AGENCY IS TO BE NOTIFIED REGARDING THEIR RETRIEVAL.
5. THE CONTRACT UNIT PRICE, FILLING EXISTING CATCH BASIN (SPECIAL) OR FILLING EXISTING MANHOLE (SPECIAL) SHALL INCLUDE THE REMOVAL OF EXISTING MASONRY, ALL BACK FILLING WITH SAND BACKFILL TO THE SUB GRADE ELEVATION, A MINIMUM 1.5m (5) OF THE APPROPRIATE PIPE AND ALL OTHER MATERIALS AND LABOR NECESSARY TO COMPLETE THIS INSTALLATION.

STANDARD A-79	
COUNTY OF COOK DEPARTMENT OF HIGHWAYS	
FILLING EXISTING CATCH BASIN OR MANHOLE (SPECIAL)	
COMPUTED_SDR	APPROVED 11-11-11
DRAWN_RMC	<i>Norman A. Lopez</i>
CHECKED_DAP	<i>Meredith D. Hennigan</i>

COOK COUNTY DETAILS
(FOR EUCLID AVENUE ONLY)