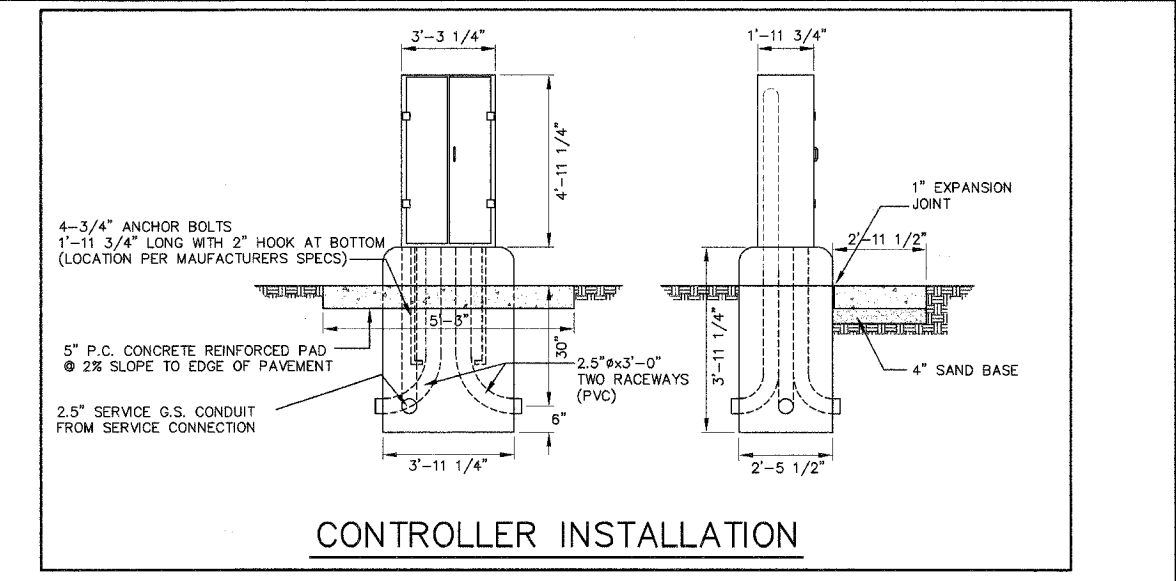
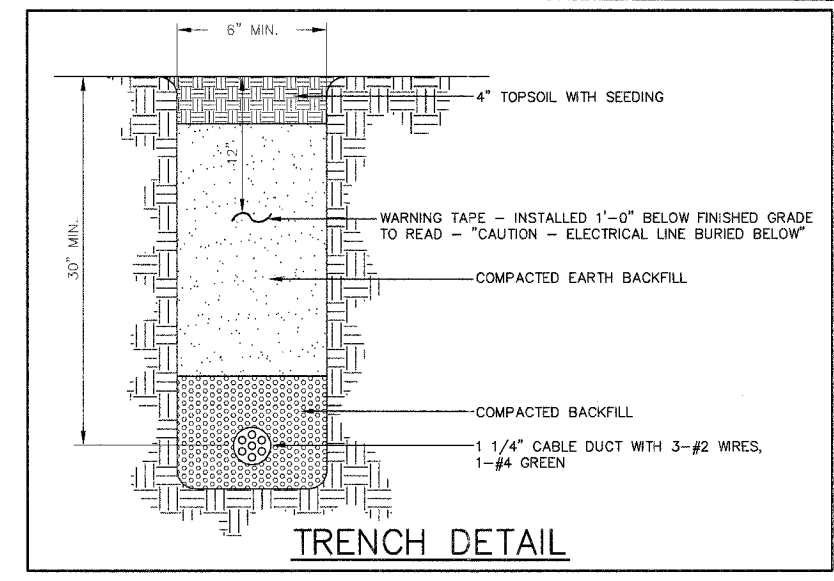
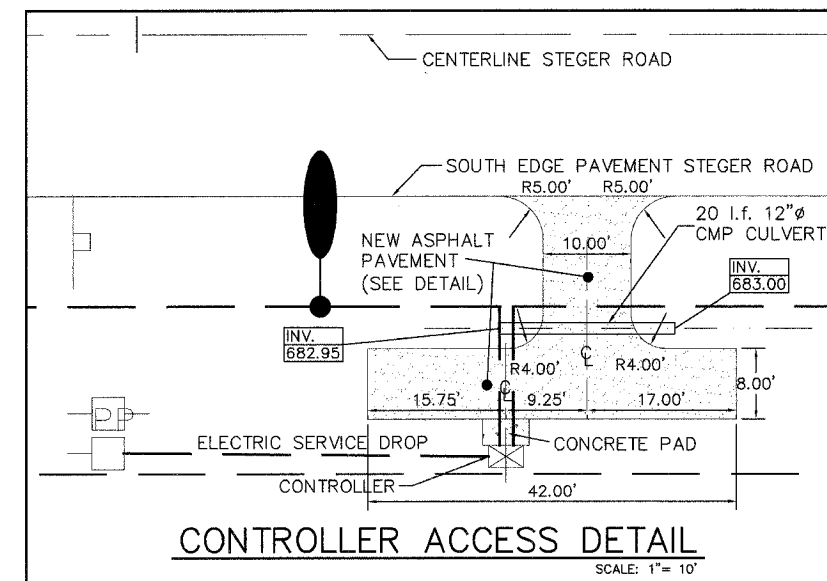
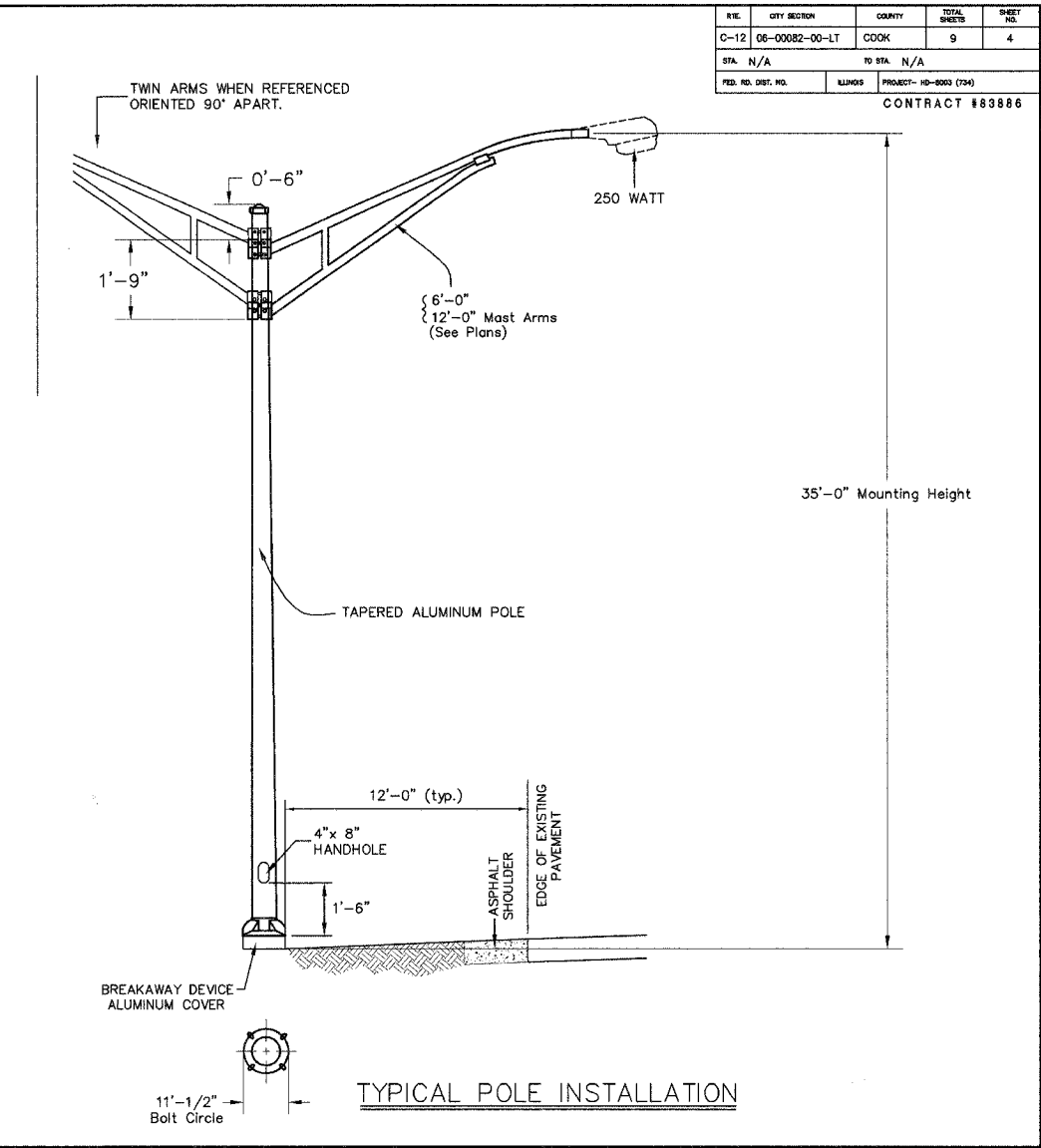
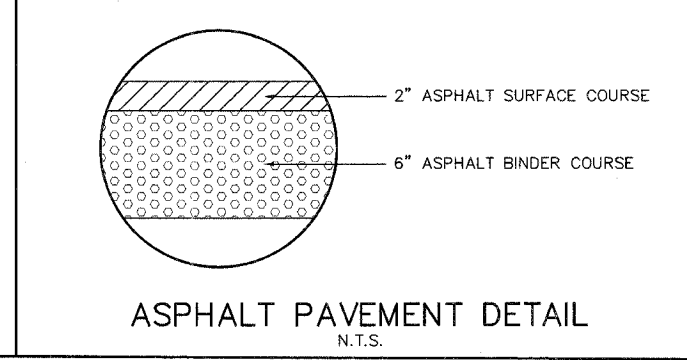
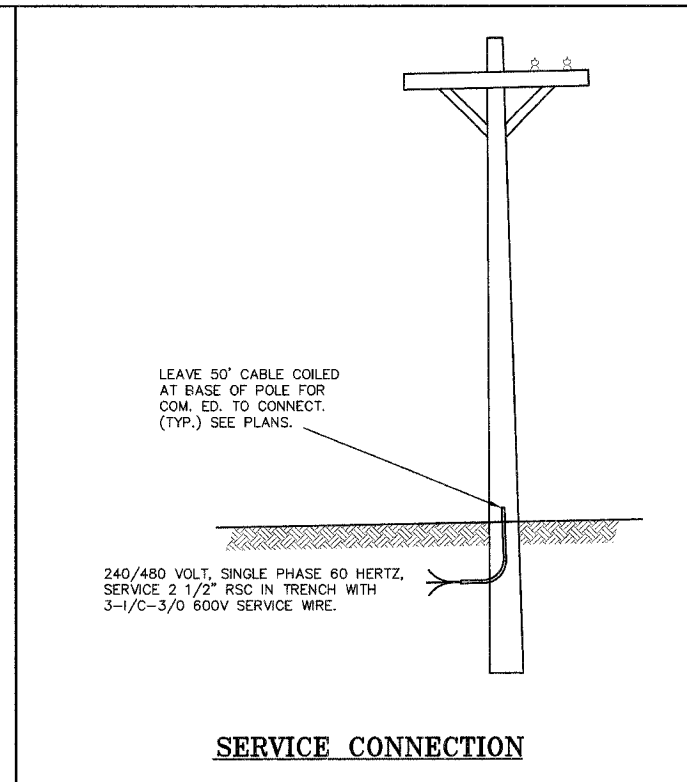
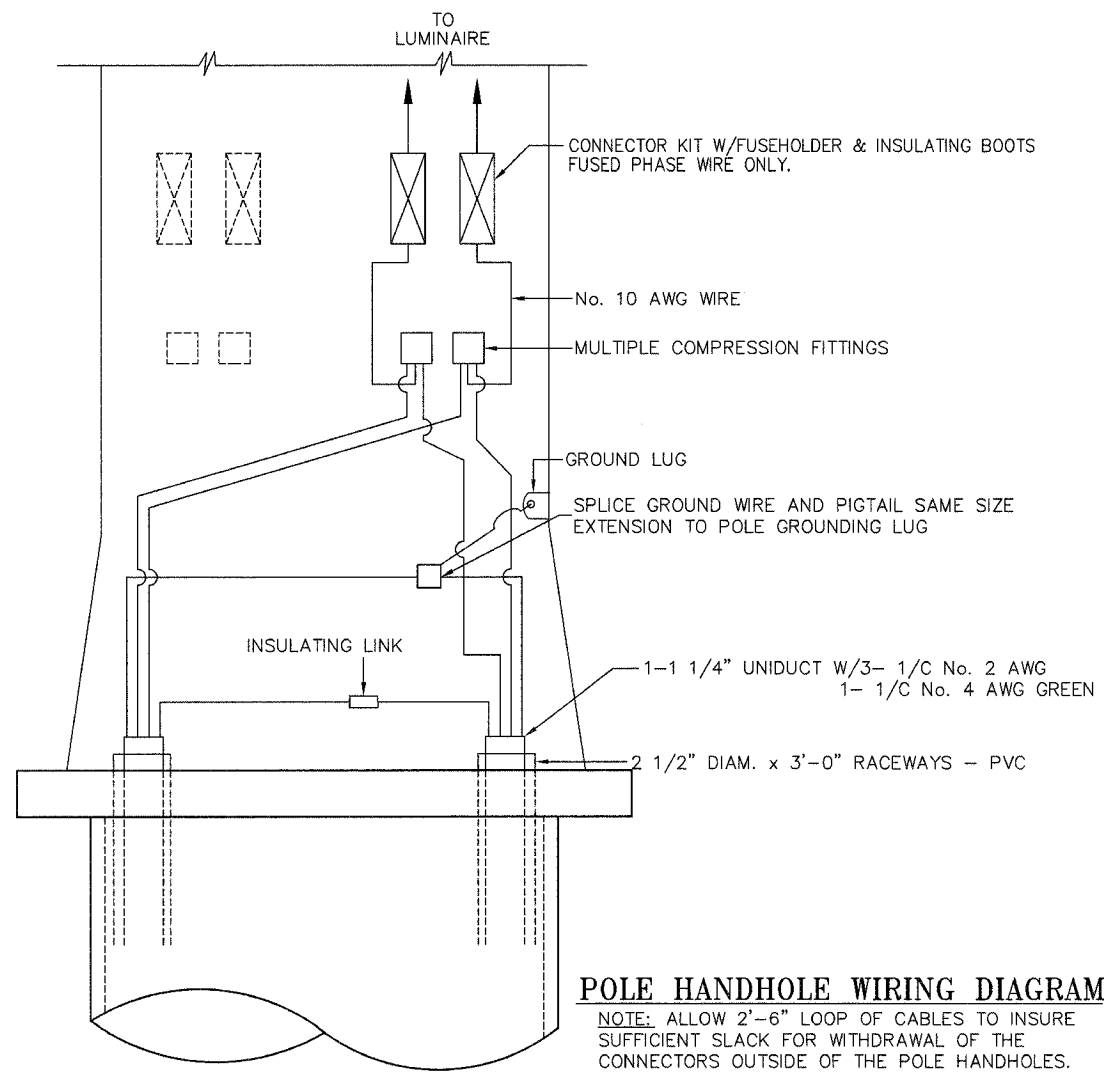


REV.	CITY SECTION	COUNTY	TOTAL SHEETS	SHEET NO.
C-12	06-00082-00-LT	COOK	9	4
STA.	N/A	TO STA.	N/A	
FED. RD. DIST. NO.	ILLINOIS	PROJECT-	HD-8003 (794)	
CONTRACT #83886				



Hot-Mix Asphalt Mixture Requirements		
MIXTURE TYPE	AC TYPE	AIR VOIDS
HOT-MIX ASPHALT SURFACE COURSE, MIX "D", N70	PG 64-22	4% @ 70Gyr.
HOT-MIX ASPHALT BINDER COURSE, IL-19.0, N70	PG 64-22	4% @ 70Gyr.

The Unit Weight used to calculate all Hot-Mix Surface Mixture quantities is 112 lbs/sq yd/in. When RAP exceeds 20%, the new asphalt binder in the mix shall be PG 58-22.

**Joseph A. Schudt & Associates**  
 19350 S. HARLEM AVENUE FRANKFORT, IL 60423  
 PHONE: 708-720-1000 FAX: 708-720-1065  
 e-mail: jae@jaseng.com http://www.jaseng.com  
 CIVIL ENGINEERING LAND SURVEYING ENVIRONMENTAL LAND PLANNING GPS SERVICES

**Village of Steger  
Steger Road Lighting Project**

REVISIONS	
NAME	DATE

ILLINOIS DEPARTMENT OF TRANSPORTATION  
**Installation Details and Legend**  
 SCALE: AS SHOWN DRAWN BY: A.A.D.  
 DATE: 2-15-07 CHECKED BY: S.M.H.