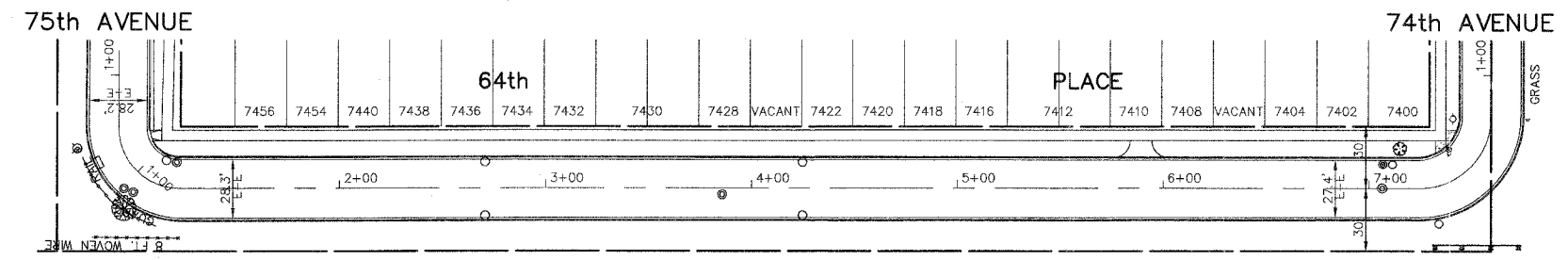
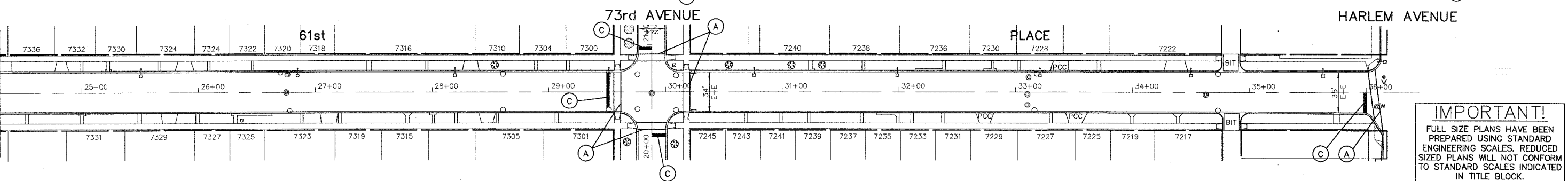
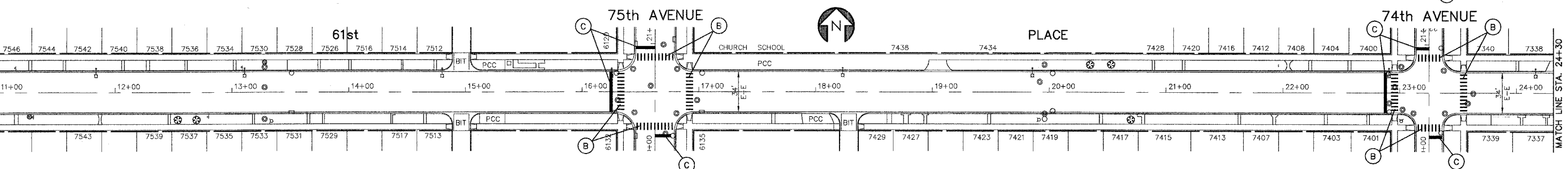
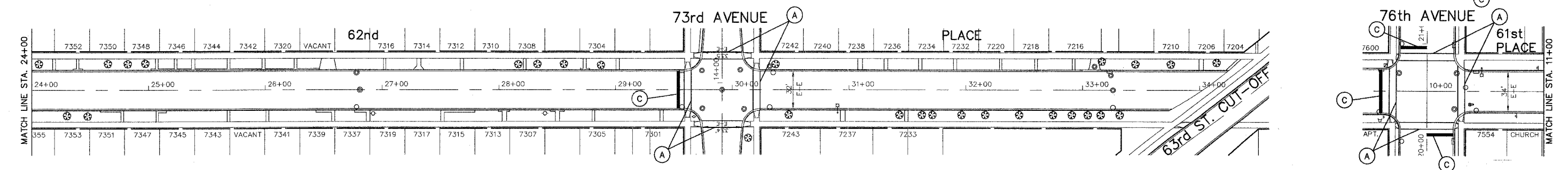
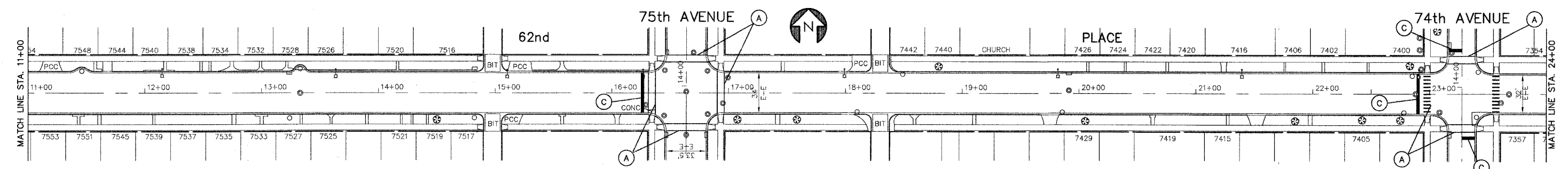
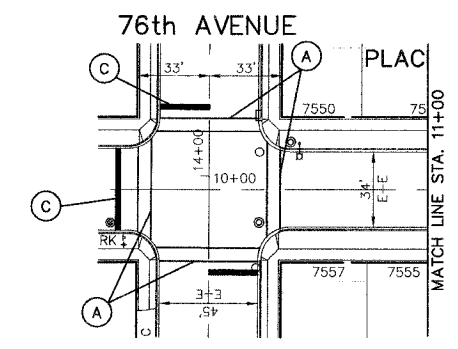


FAU RTE	SECTION	COUNTY	TOTAL SHEETS	SHEET NO.
VARIOUS	05-00059-00-RS	COOK	23	16

CONTRACT NO. 83903



- THERMOPLASTIC STRIPING CODE**
- (A) PROPOSED SOLID WHITE THERMOPLASTIC PAVEMENT MARKING - LINE 6" (CROSSWALK LINE)
  - (B) SOLID WHITE THERMOPLASTIC PAVEMENT MARKING - LINE 12" (PEDESTRIAN SCHOOL CROSSING)
  - (C) PROPOSED SOLID WHITE THERMOPLASTIC PAVEMENT MARKING - LINE 24" (STOP BAR)



**IMPORTANT!**  
 FULL SIZE PLANS HAVE BEEN PREPARED USING STANDARD ENGINEERING SCALES. REDUCED SIZED PLANS WILL NOT CONFORM TO STANDARD SCALES INDICATED IN TITLE BLOCK.

**Frank Novotny & Associates, Inc.**  
 825 Midway Drive ♦ Willowbrook, IL ♦ 60527 ♦ Telephone: (630) 887-8640 ♦ Fax: (630) 887-0132  
 Illinois Professional Design Firm No. 184-000928

PROJECT  
**VILLAGE OF SUMMIT, ILLINOIS  
 STREET RESURFACING**  
 MFT SECTION NO. 05-00059-00-RS

REVISIONS			
NO.	BY	DATE	DESCRIPTION
1	JLC	1/3/07	I.D.O.T. REVIEW

**PLAN:**  
 64th PL. - 75th AVE. to 74th AVE.  
 62nd PL. - STA. 13+00 to 63rd ST. CUT-OFF  
 61st PL. - 76th AVE. to HARLEM AVE.

PROJECT NO. 05442	SCALE 1" = 40'	SHEET 16
DRAWN/DESIGNED JFP/JLC	DATE OCT., 2006	OF 23
CHECKED/APPROVED JLC	FIELD BOOK NO. FILE	SHEETS