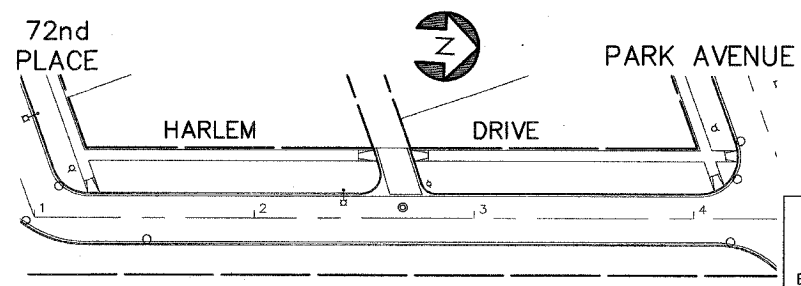
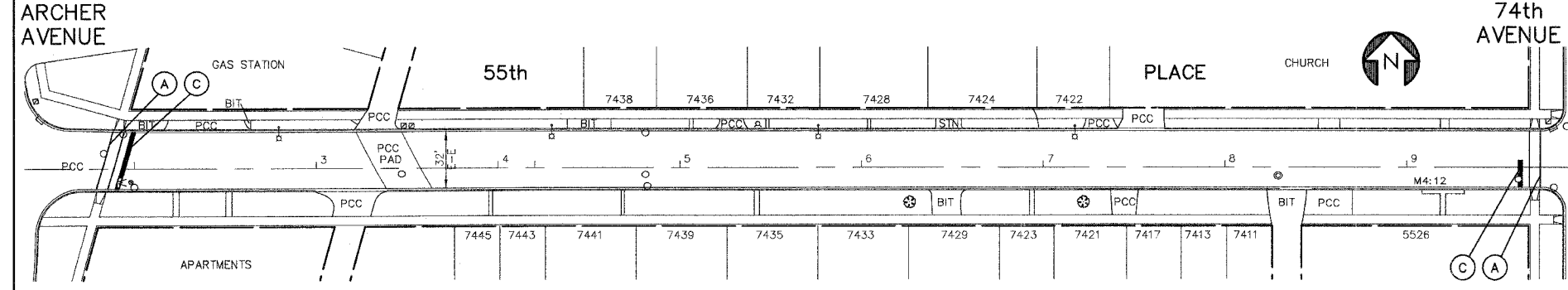
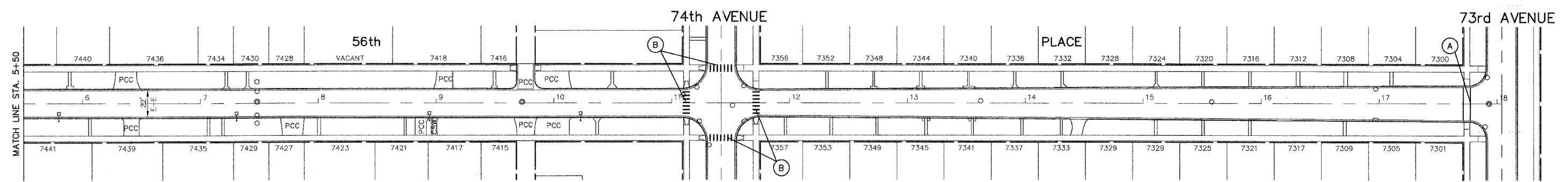
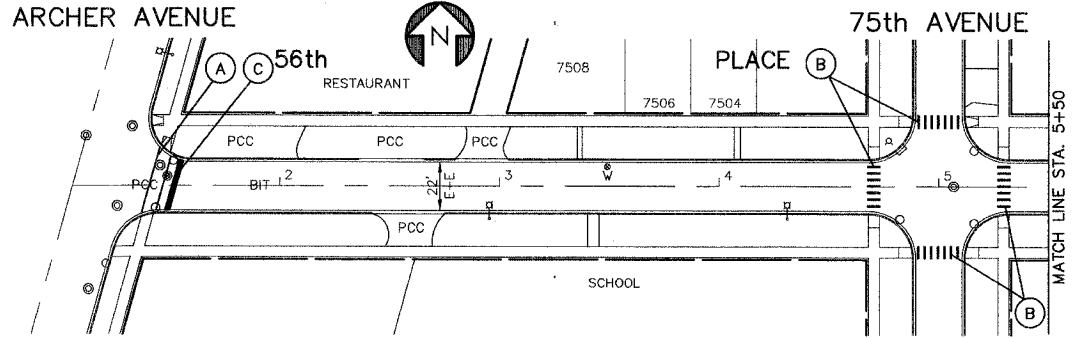
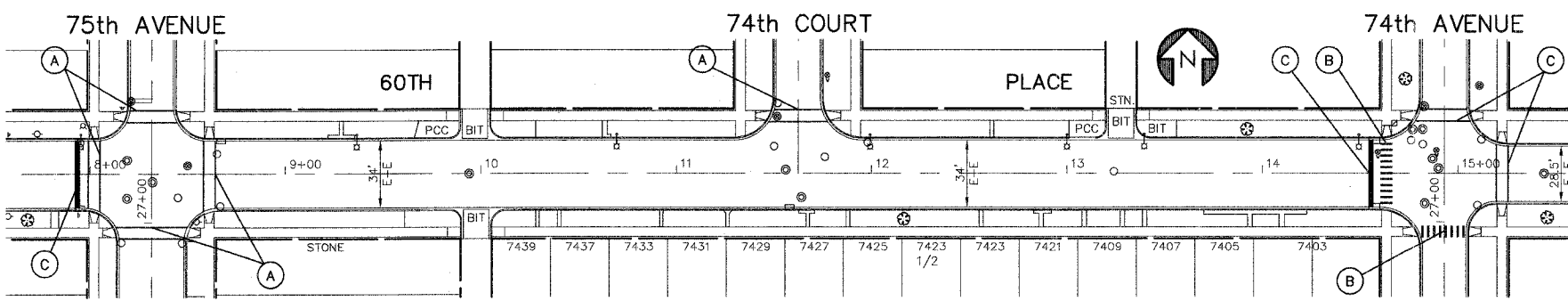
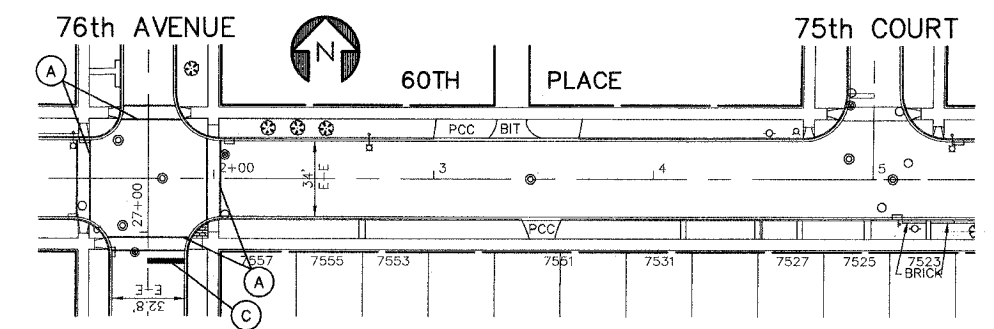
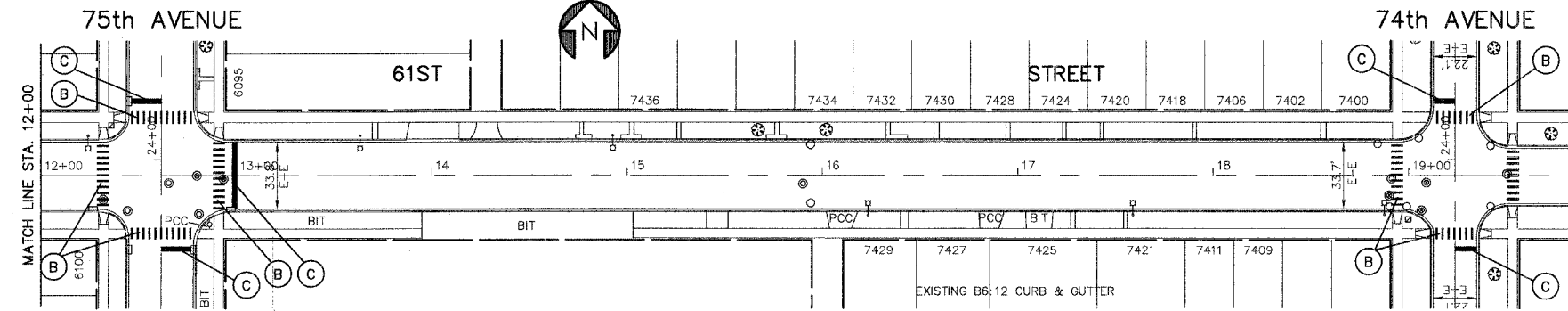
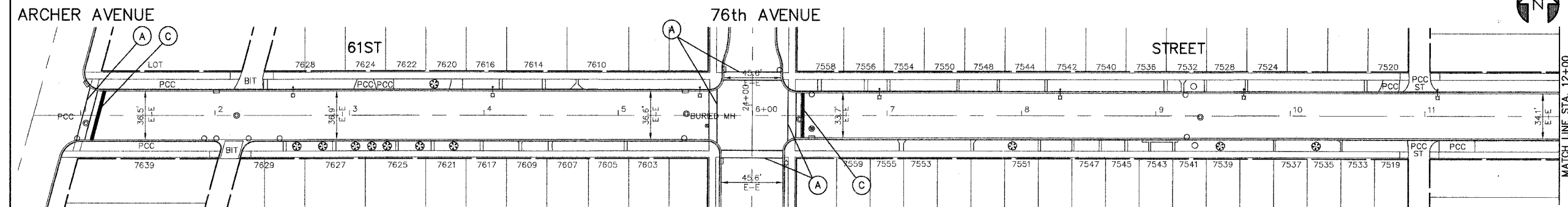


FAU RTE	SECTION	COUNTY	TOTAL SHEETS	SHEET NO.
VARIOUS	05-00059-00-RS	COOK	23	17

CONTRACT NO. 83903

- THERMOPLASTIC STRIPING CODE**
- (A) PROPOSED SOLID WHITE THERMOPLASTIC PAVEMENT MARKING - LINE 6" (CROSSWALK LINE)
 - (B) SOLID WHITE THERMOPLASTIC PAVEMENT MARKING - LINE 12" (PEDESTRIAN SCHOOL CROSSING)
 - (C) PROPOSED SOLID WHITE THERMOPLASTIC PAVEMENT MARKING - LINE 24" (STOP BAR)



IMPORTANT!
 FULL SIZE PLANS HAVE BEEN PREPARED USING STANDARD ENGINEERING SCALES. REDUCED SIZED PLANS WILL NOT CONFORM TO STANDARD SCALES INDICATED IN TITLE BLOCK.

Frank Novotny & Associates, Inc.
 Civil Engineers/Municipal Consultants
 825 Midway Drive ♦ Willowbrook, IL ♦ 60527 ♦ Telephone: (630) 887-8640 ♦ Fax: (630) 887-0132
 Illinois Professional Design Firm No. 184-000928

PROJECT
**VILLAGE OF SUMMIT, ILLINOIS
 STREET RESURFACING**
 MFT SECTION NO. 05-00059-00-RS

REVISIONS			
NO.	BY	DATE	DESCRIPTION
1	JLC	1/3/07	I.D.O.T. REVIEW

PLAN:
 56th PL - ARCHER AVE. TO 73RD AVE.
 HARLEM DR. - 72ND PL. TO PARK AVE.
 55th PL - ARCHER AVE. TO 74TH AVE.

PROJECT NO. 05442	SCALE 1"=40'	SHEET 17
DRAWN/DESIGNED JFP/JLC	DATE OCT., 2006	OF 23
CHECKED/APPROVED JLC	FIELD BOOK NO. FILE	SHEETS