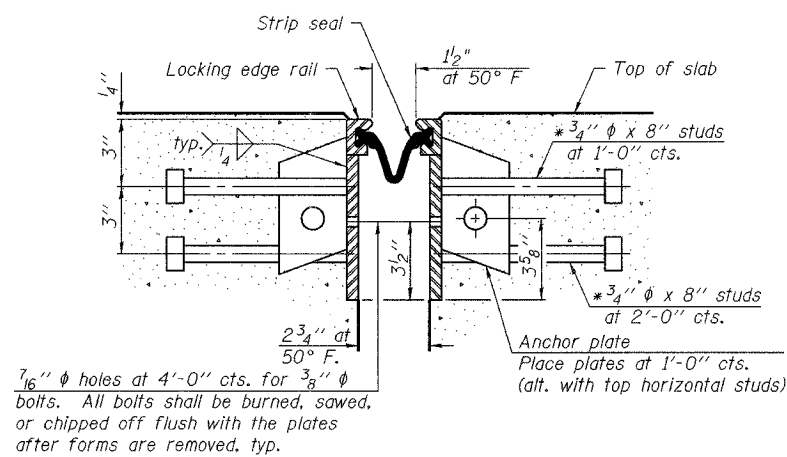
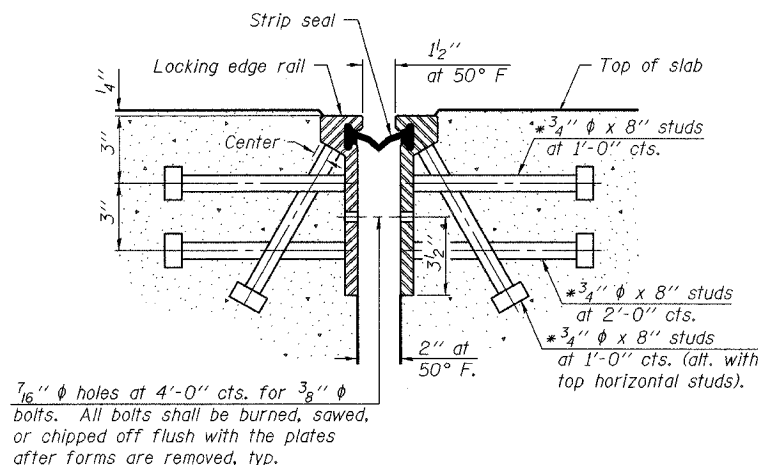


ROUTE NO.	SECTION	COUNTY	TOTAL SHEETS	SHEET NO.
F.A.U. 5148	*	WINNEBAGO	15	7
FED. ROAD DIST. NO. 7		SLAB NO. 1	FED. AID PROJECT 06-00387-00-BR	

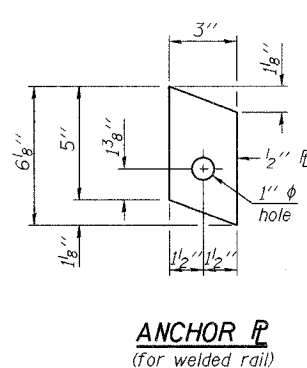
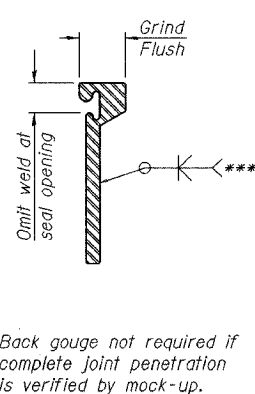
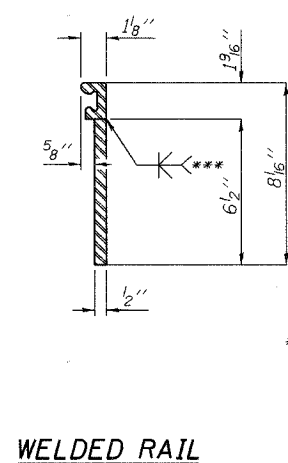
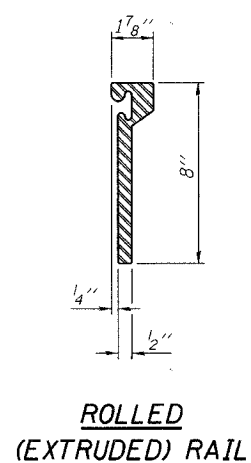
85405 Sheet 4 of 12

\* Granular or solid flux filled headed studs conforming to Article 1006.32 of the Std. Specs., automatically end welded.



Notes:

The strip seal shall be made continuous and shall have a minimum thickness of 1/4". The configuration of the strip seal shall match the configuration of the Locking Edge Rails. Open or "webbed" strip seal gland configurations are not permitted. The gland shall be sized for a maximum rated movement of 4 inches. The height and thickness of the Locking Edge Rails shown are minimum dimensions. The actual configuration of the Locking Edge Rails and matching strip seal may vary from manufacturer to manufacturer. Flanged edge rails will not be allowed. Locking Edge Rails may be spliced at slope discontinuities and stage construction joints. The manufacturer's recommended installation methods shall be followed. The deck dimensions detailed on Sheet 3 of 12 are based on the use of rolled rail joints. If the Contractor elects to use welded rail joints, the deck dimensions and end rail post spacing shall be modified accordingly.



LOCKING EDGE RAILS

\*\*\* Back gouge not required if complete joint penetration is verified by mock-up.

BILL OF MATERIAL

Item	Unit	Total
Prefomed Joint Strip Seal	Foot	64

Corporate License Number 184-001-084  
**PREFORMED JOINT STRIP SEAL**  
 PERRYVILLE ROAD BRIDGE  
 OVER NORTH BRANCH KISHWAUKEE RIVER  
 F.A.U. ROUTE 5148  
 SECTION 06-00387-00-BR  
 WINNEBAGO COUNTY  
 STRUCTURE NUMBER 101-3063  
 STATION 40+90

© Copyright Hanson Professional Services Inc. 2007



JOB NO.  
06R1568  
DATE  
2/1/07

3:48:17 PM  
 01/31/2007 03:48 PM  
 I:\06\1568\06R1568\CADD\Strip Seal\Sheet 4-007-BRIDGE JOINT.dgn

LAYOUT	SMK	11/27/06
DRAWN	MCM	07/03/07
REVIEWED	SMK	10/10/07