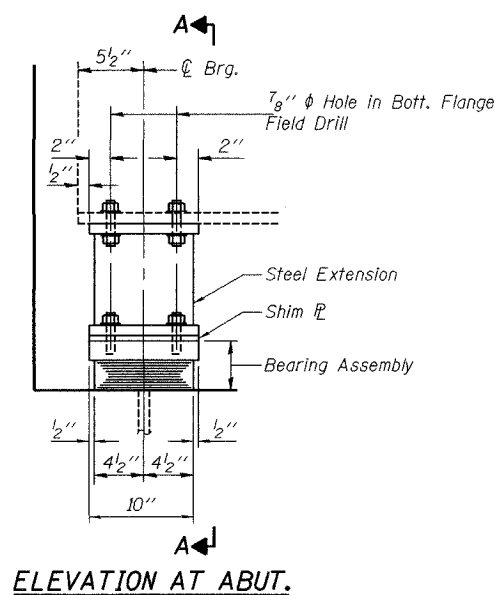


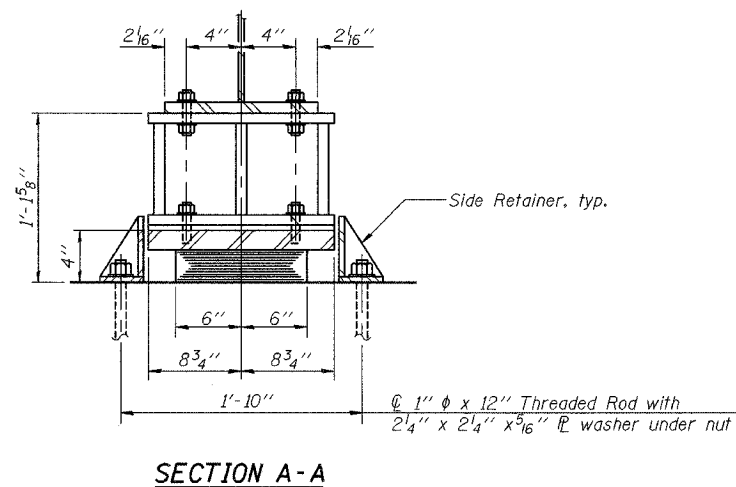
ROUTE NO.	SECTION	COUNTY	TOTAL SHEETS	SHEET NO.
F.A.U. 5148		WINNEBAGO	15	10
FED. ROAD DIST. NO. 7		BLDG. NO.	FED. AID PROJECT	BH-M-5099(67)
				06-00387-00-BR

85405

Sheet 7 of 12

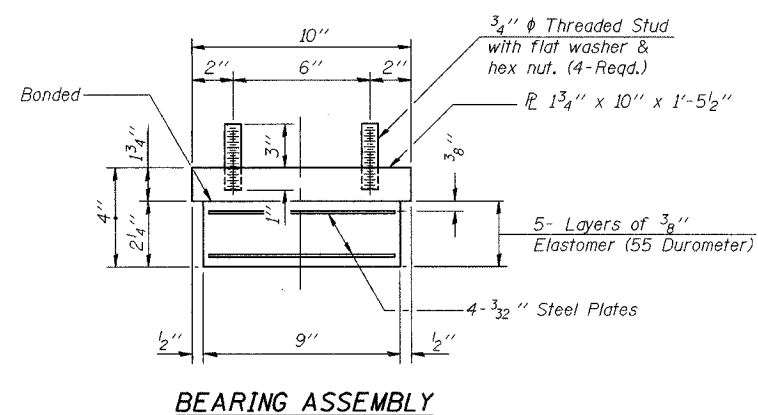


ELEVATION AT ABUT.



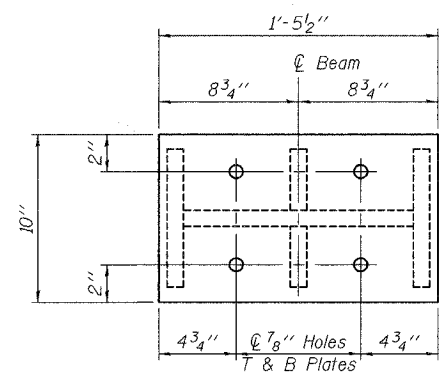
SECTION A-A

TYPE I ELASTOMERIC EXP. BRG.

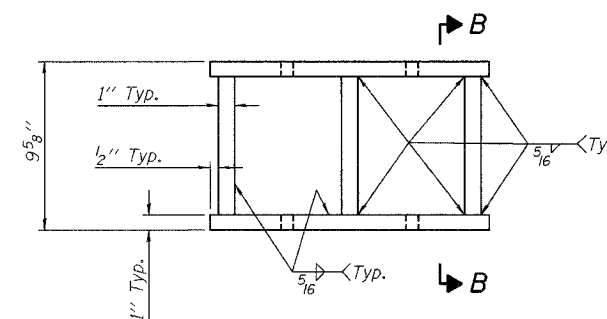


BEARING ASSEMBLY

Note:
Shim plates shall not be placed under Bearing Assembly.



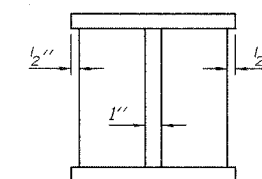
PLAN STEEL EXTENSION



ELEVATION STEEL EXTENSION

Note:
All steel plates and shapes shall conform to the requirements of AASHTO M270, Grade 50, unless noted.

Steel extensions will be paid for as Structural Steel.



SECTION B-B

BILL OF MATERIAL

Item	Unit	Total
Elastomeric Bearing Assembly Type I	Each	5

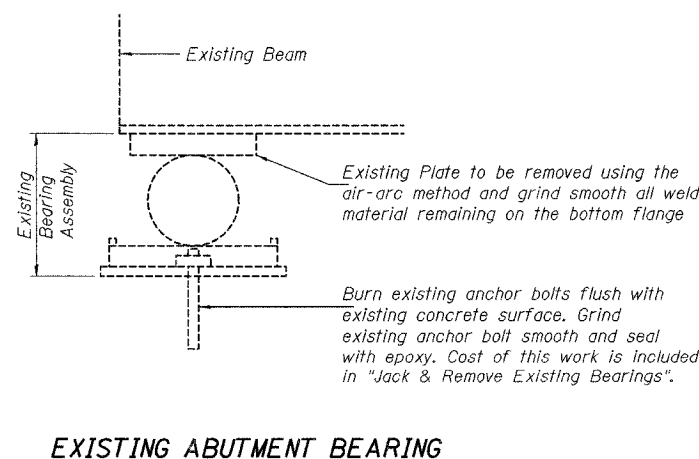
Corporate License Number 184-001-084

SOUTH ABUTMENT BEARING ASSEMBLY
 PERRYVILLE ROAD BRIDGE
 OVER NORTH BRANCH KISHWAUKEE RIVER
 F.A.U. ROUTE 5148
 SECTION 06-00387-00-BR
 WINNEBAGO COUNTY
 STRUCTURE NUMBER 101-3063
 STATION 40+90

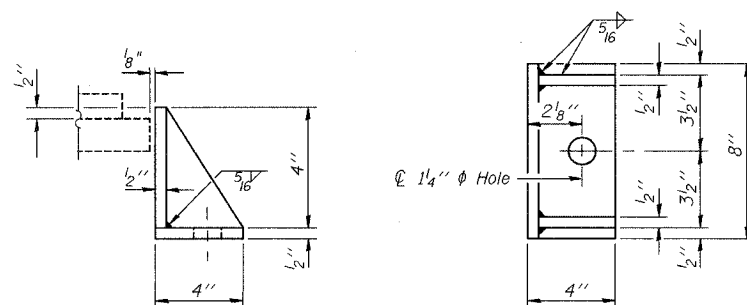
© Copyright Hanson Professional Services Inc. 2007



JOB NO.
06R1568
DATE
2/1/07



EXISTING ABUTMENT BEARING



SIDE RETAINER

Equivalent rolled angle with stiffeners will be allowed in lieu of welded plates. Weight included with Structural Steel.

3:44:30 PM 11/20/06
0:\3\2007\05\4\ PM
1106\des\06R1568\CADD\Struct\Sheet S-010-Bearing T1.dgn

LAYOUT	SMK	11/20/06
DRAWN	MM	07/03/07
REVIEWED	SMK	10/10/07