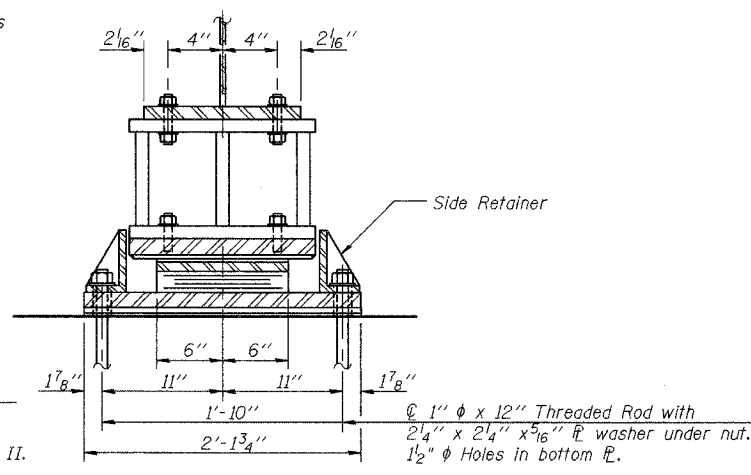
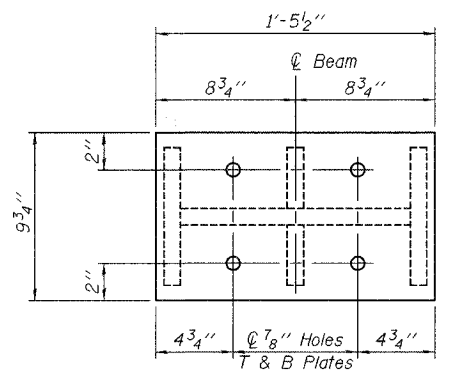


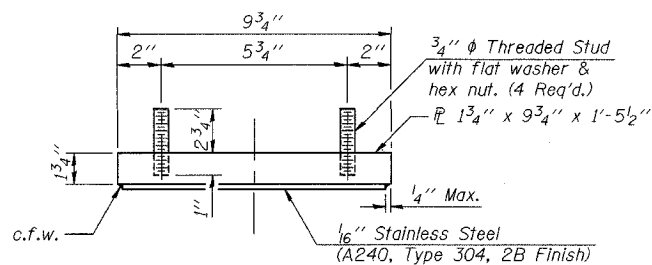
ELEVATION AT ABUT.
TYPE II ELASTOMERIC EXP. BRG.



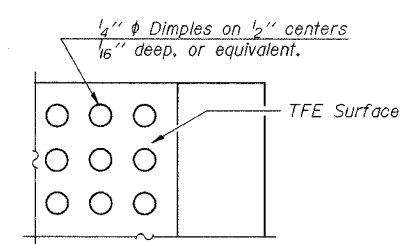
SECTION A-A



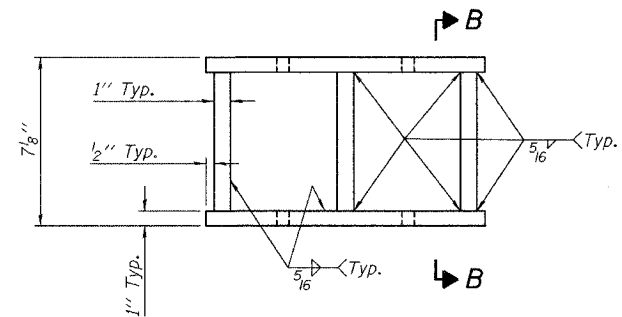
PLAN STEEL EXTENSION



TOP BEARING ASSEMBLY

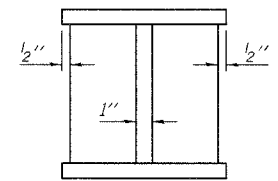


PLAN-TFE SURFACE

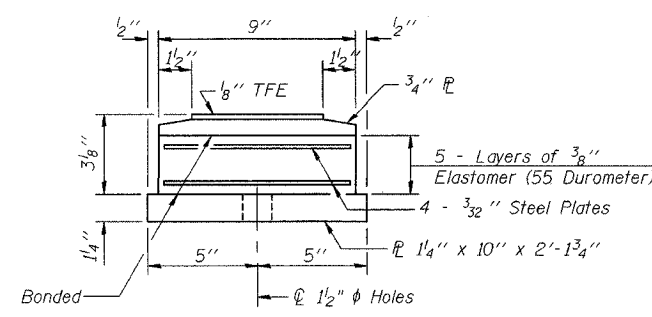


ELEVATION STEEL EXTENSION

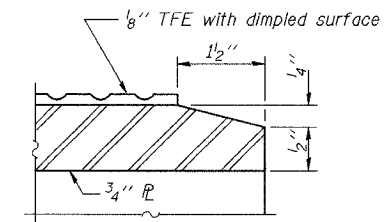
Notes:
All steel plates and shapes shall conform to the requirements of AASHTO M270, Grade 50, unless noted.
Steel extensions will be paid for as Structural Steel.



SECTION B-B

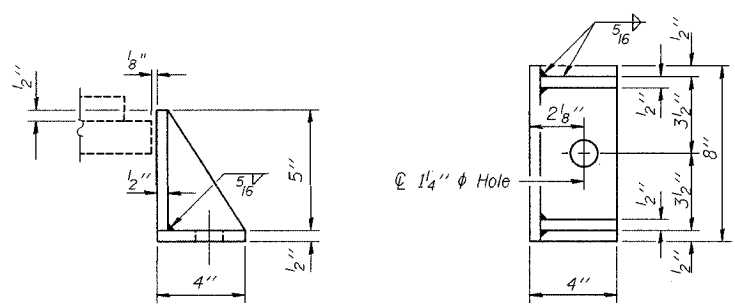


BOTTOM BEARING ASSEMBLY



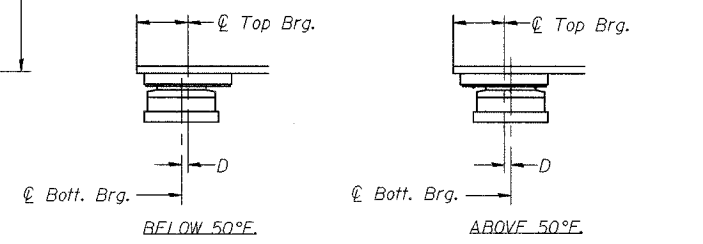
SECTION THRU TFE

Notes:
The 1/8" TFE sheet shall be bonded directly to the top steel plate with a two-component, medium viscosity epoxy resin, conforming to the requirements of the Federal Specification MMM-A-134, Type I. The bond agent shall be applied on the full area of the contact surfaces. Bonding of 1/8" TFE sheet during vulcanizing process will be permitted provided the process and method of adjusting assembly height is approved by the Engineer.



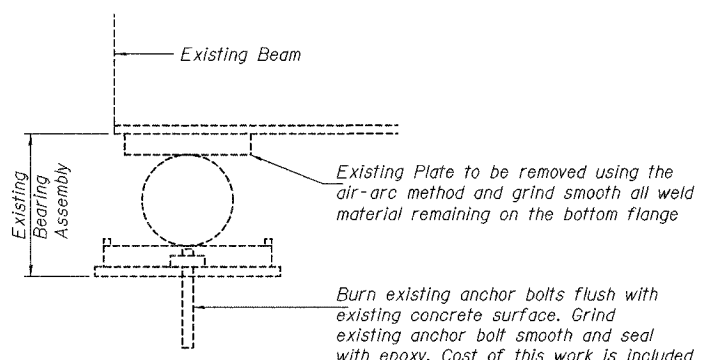
SIDE RETAINER

Equivalent rolled angle with stiffeners will be allowed in lieu of welded plates. Weight included with Structural Steel.



SETTING ANCHOR BOLTS AT EXP. BRG.

D = 1/8" per each 100' of expansion for every 15° temp. change from the normal temp. of 50°F.



EXISTING ABUTMENT BEARING

BILL OF MATERIAL

Item	Unit	Total
Elastomeric Bearing Assembly Type II	Each	5

Corporate License Number 184-001-084

NORTH ABUTMENT BEARING ASSEMBLY
PERRYVILLE ROAD BRIDGE
OVER NORTH BRANCH KISHWAUKEE RIVER
F.A.U. ROUTE 5148
SECTION 06-00387-00-BR
WINNEBAGO COUNTY
STRUCTURE NUMBER 101-3063
STATION 40+90

© Copyright Hanson Professional Services Inc. 2007



JOB NO. 06R1568
DATE 2/1/07

3:39:56 PM 01/31/2007 03:39 PM I:\06\Jobs\06R1568\CADD\Struct\Sheet\Oil-Bearing Ty 2.dwg

LAYOUT	SMK	11/20/06
DRAWN	MEM	01/03/07
REVIEWED	SMK	01/10/07