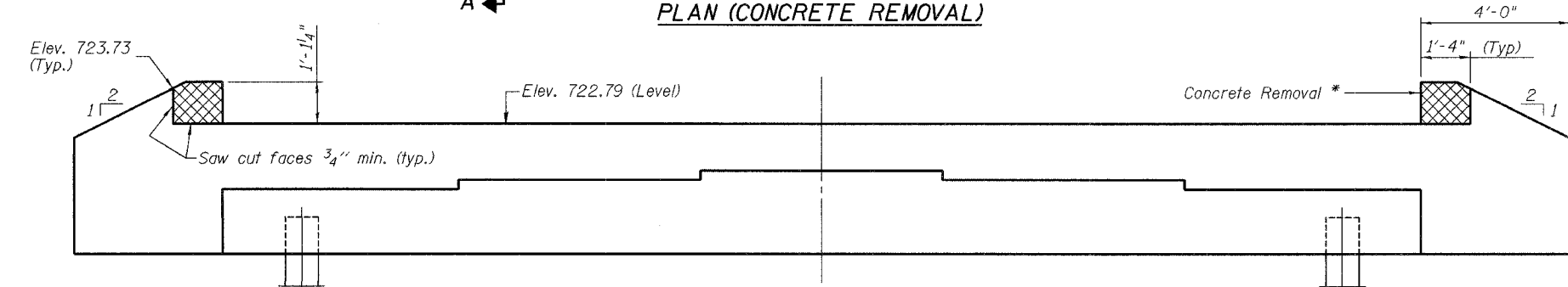
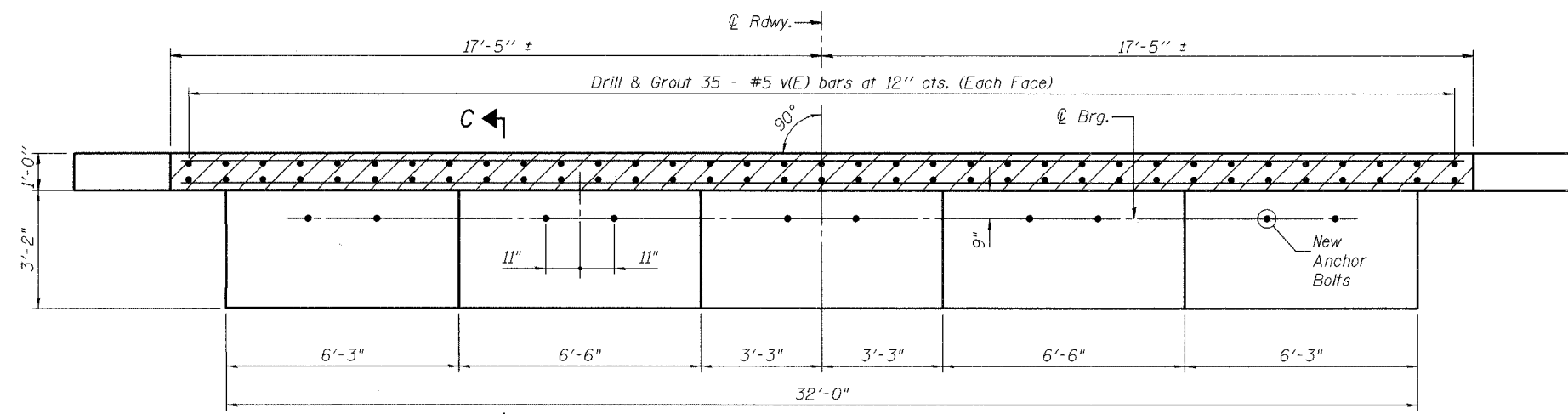


PLAN (CONCRETE REMOVAL)

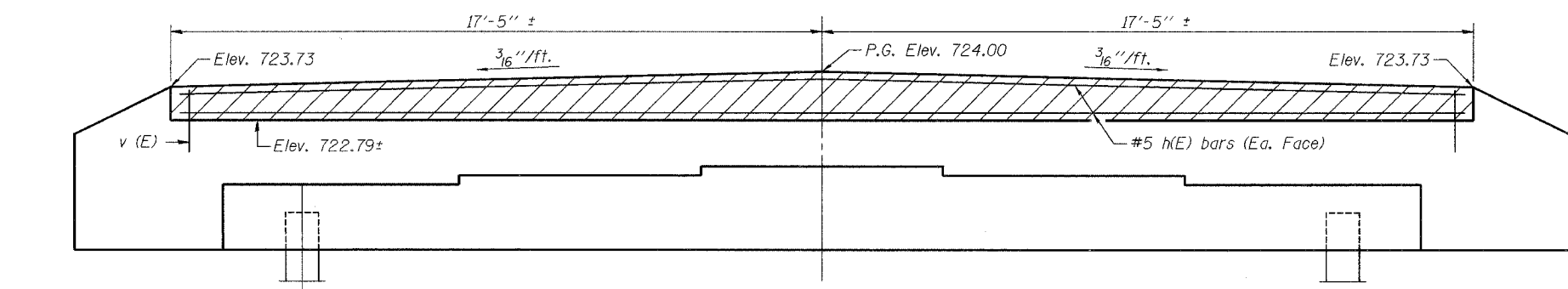


ELEVATION (CONCRETE REMOVAL)

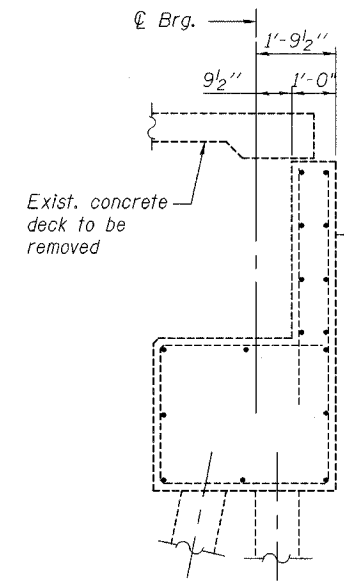
* Concrete Removal is incidental to Removal of Existing Concrete Deck



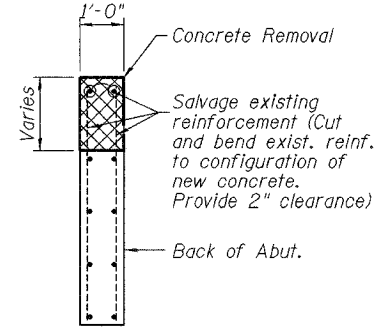
PLAN (CONCRETE REPLACEMENT)



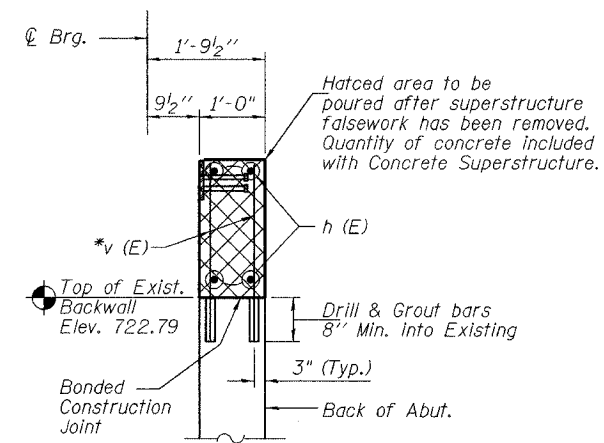
ELEVATION (CONCRETE REPLACEMENT)



SECTION A-A



SECTION B-B



SECTION C-C

BILL OF MATERIAL
(Both Abutments)

| Bar | No. | Size | Length | Shape |
|----------------------------------|-----|---------|--------|-------|
| h(E) | 8 | #5 | 34'-7" | — |
| v(E) | 140 | #5 | 1'-8" | — |
| Concrete Superstructure | | Cu. Yd. | 2.8 | |
| Reinforcement Bars, Epoxy Coated | | Pound | 530 | |
| Drill and Grout Bars | | Each | 140 | |

Corporate License Number 184-001-084

ABUTMENTS
PERRYVILLE ROAD BRIDGE
OVER NORTH BRANCH KISHWAUKEE RIVER
F.A.U. ROUTE 5148
SECTION 06-00387-00-BR
WINNEBAGO COUNTY
STRUCTURE NUMBER 101-3063
STATION 40+90

3:36:21 PM 11/30/06
 01/31/2007 03:38 PM
 I:\06\06R156R\CADD\Struct\Sheet\S-02-Abutments.dwg
 LAYOUT: SMK 11/30/06
 DRAWN: MCM 07/03/07
 REVIEWED: SMK 07/03/07