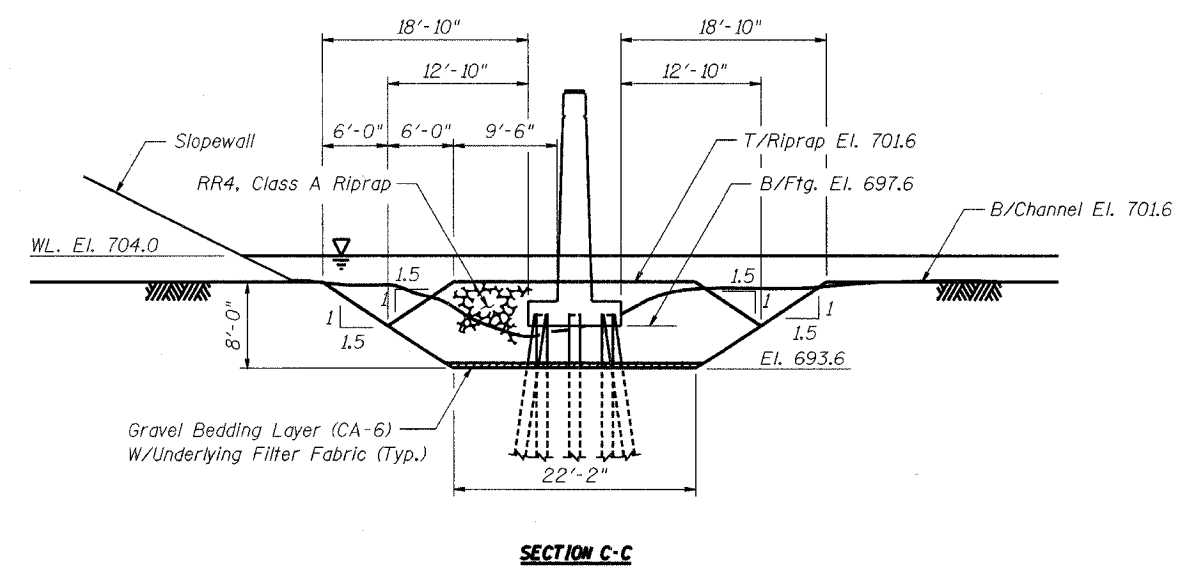
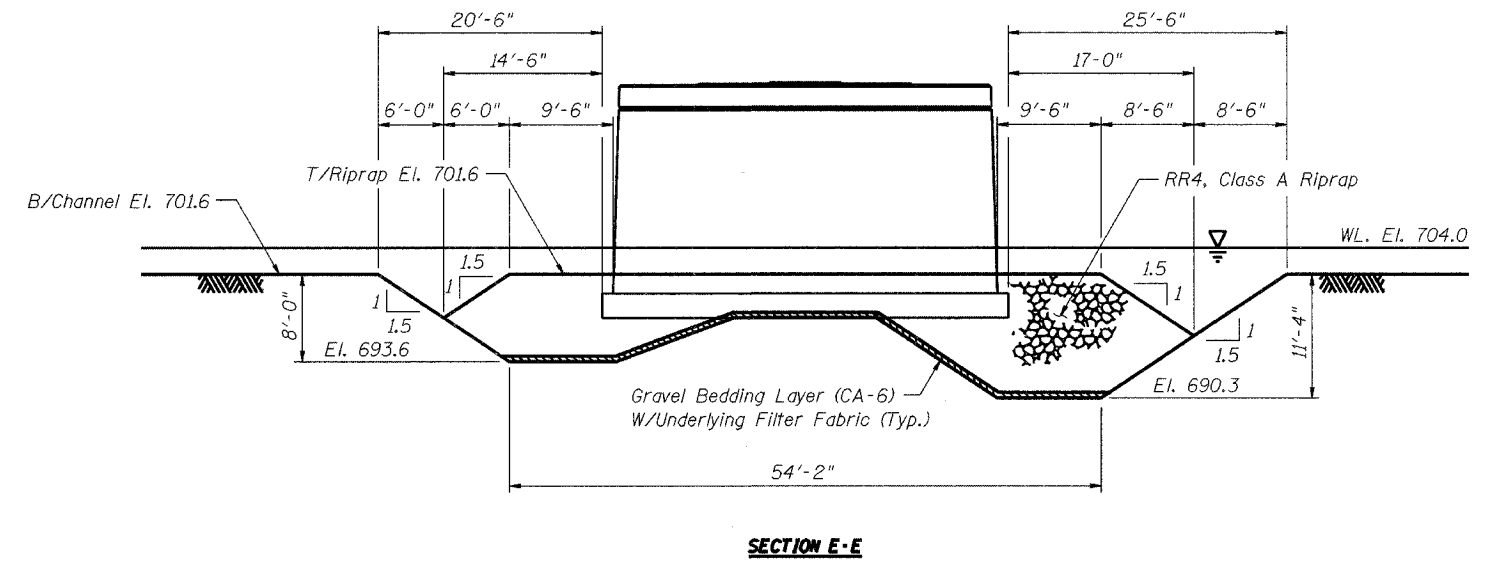
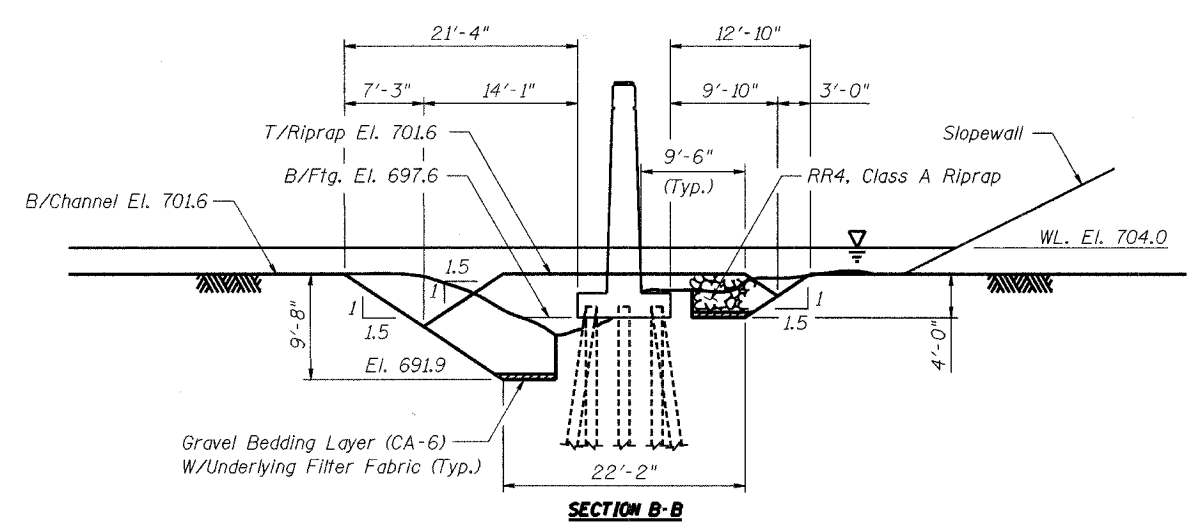
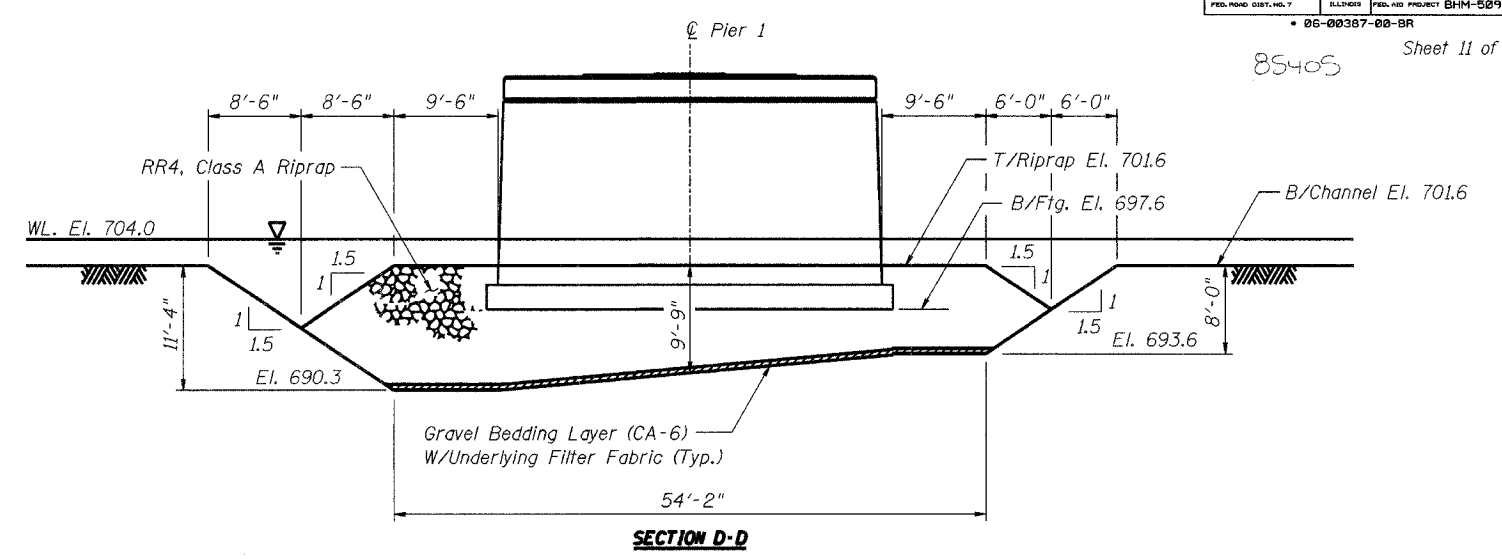
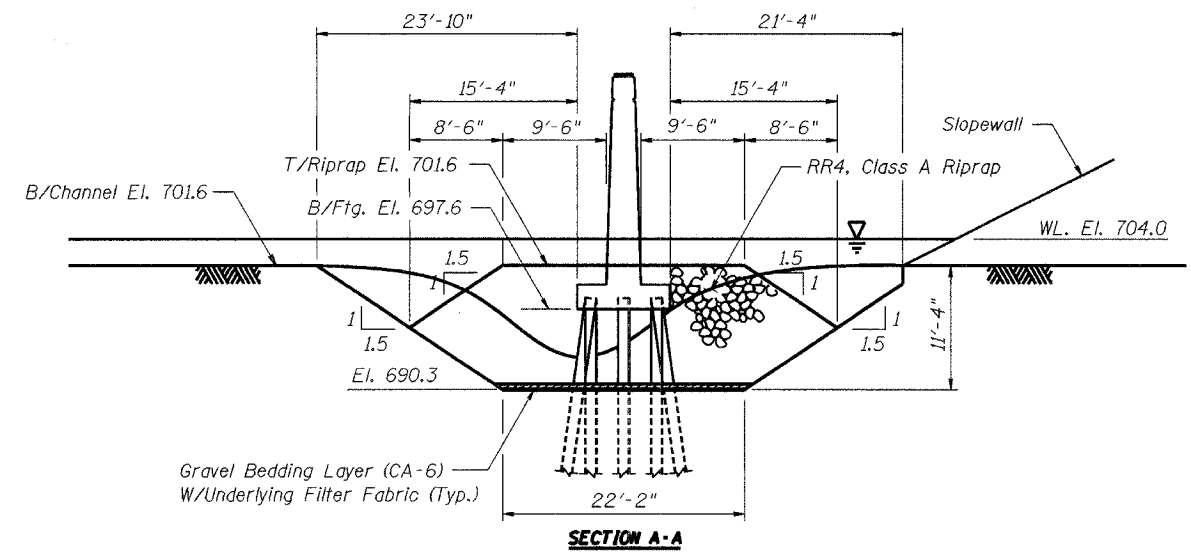


ROUTE NO.	SECTION	COUNTY	SHEETS	"OF"
F.A.U. 5148		WINNEBAGO	15	14
FED. ROAD DIST. NO.	ILLINOIS	FED. AID PROJECT	BHM-5099(67)	

85405
Sheet 11 of 12



PIER 1-DETAILS
 PERRYVILLE ROAD BRIDGE
 OVER NORTH BRANCH KISHWAUKEE RIVER
 F.A.U. ROUTE 5148
 SECTION 06-00387-00-BR
 WINNEBAGO COUNTY
 STRUCTURE NUMBER 101-3063
 PIER 1-DETAILS

COLLINS ENGINEERS
 123 North Wacker Drive
 Suite 300
 Chicago, IL 60606
 (312) 704-9300
 www.collinseng.com
 ILLINOIS PROFESSIONAL DESIGN FIRM LICENSE NO. 184-000993

JOB NO.
06R1568
DATE
2/1/07

9:53 AM
7/27/07
G:\606148\001.dgn

LAYOUT	JTG
DRAWN	DP
REVIEWED	JTG