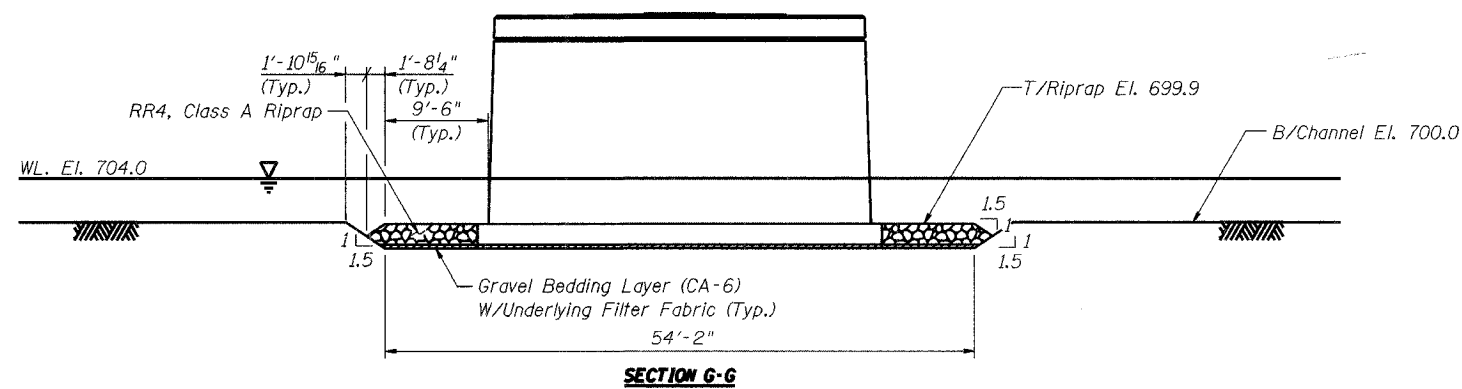
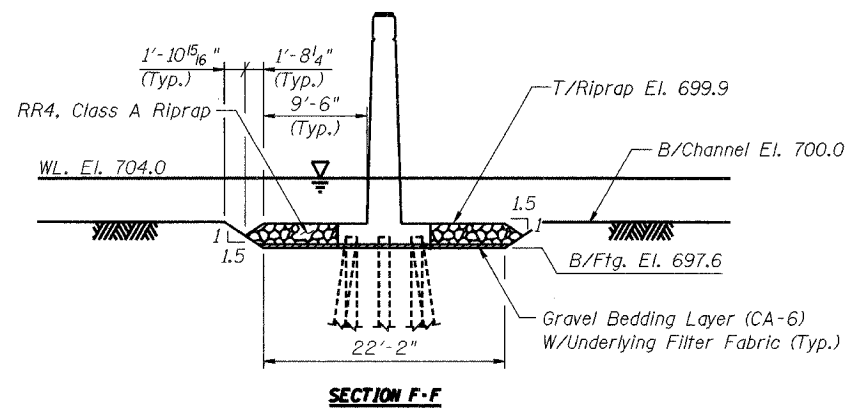


ROUTE NO.	SECTION	COUNTY	TOTAL SHEETS	SHEET NO.
5148	*	WINNEBAGO	15	15
ILLINOIS PROJECT BHM-5099(67)				
* 06-00387-00-BR				

85405

Sheet 12 of 12



9:33 AM
1/01/07
G:\4804\48040001.dgn

LAYOUT	JTG
DRAWN	DR
REVIEWED	JTG

PIER 2-DETAILS PERRYVILLE ROAD BRIDGE OVER NORTH BRANCH KISHWAUKEE RIVER F.A.U. ROUTE 5148 SECTION 06-00387-00-BR WINNEBAGO COUNTY STRUCTURE NUMBER 101-3063 PIER 2-DETAILS	
COLLINS ENGINEERS <small>123 North Wacker Drive Suite 300 Chicago, IL 60606 (312) 704-8300 www.collinsengr.com ILLINOIS PROFESSIONAL DESIGN FIRM LICENSE NO. 184-009993</small>	<small>JOB NO.</small> 06R1568 <small>DATE</small> 2/1/07