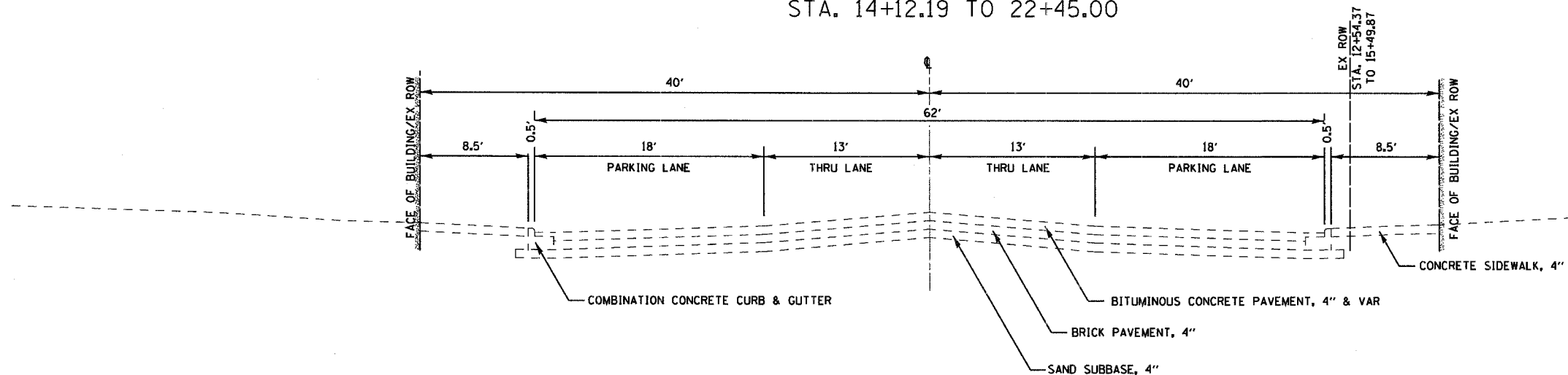


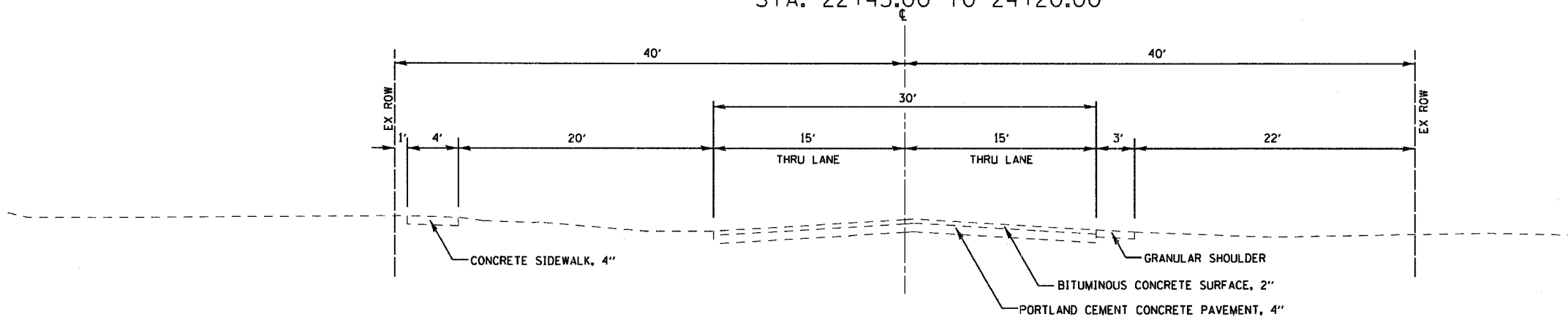
F.A. RTE.	SECTION	COUNTY	TOTAL SHEETS	SHEET NO.
MS 6600	05-00012-00-FP	HENRY	75	12
STA.	TO STA.			
FED. ROAD DIST. NO.	ILLINOIS	FED. AID PROJECT		

EXISTING TYPICAL SECTIONS

PROSPECT STREET
STA. 14+12.19 TO 22+45.00



PROSPECT STREET
STA. 22+45.00 TO 24+20.00



PLOT DATE * WATER
FILE NAME * FILEL15
PLOT SCALE * SCALES
USER NAME * ROBERT

REVISIONS	
NAME	DATE

ILLINOIS DEPARTMENT OF TRANSPORTATION

EXISTING TYPICAL SECTIONS

SCALE: VERT. DATE
HORIZ. CHECKED BY

DRAWN BY