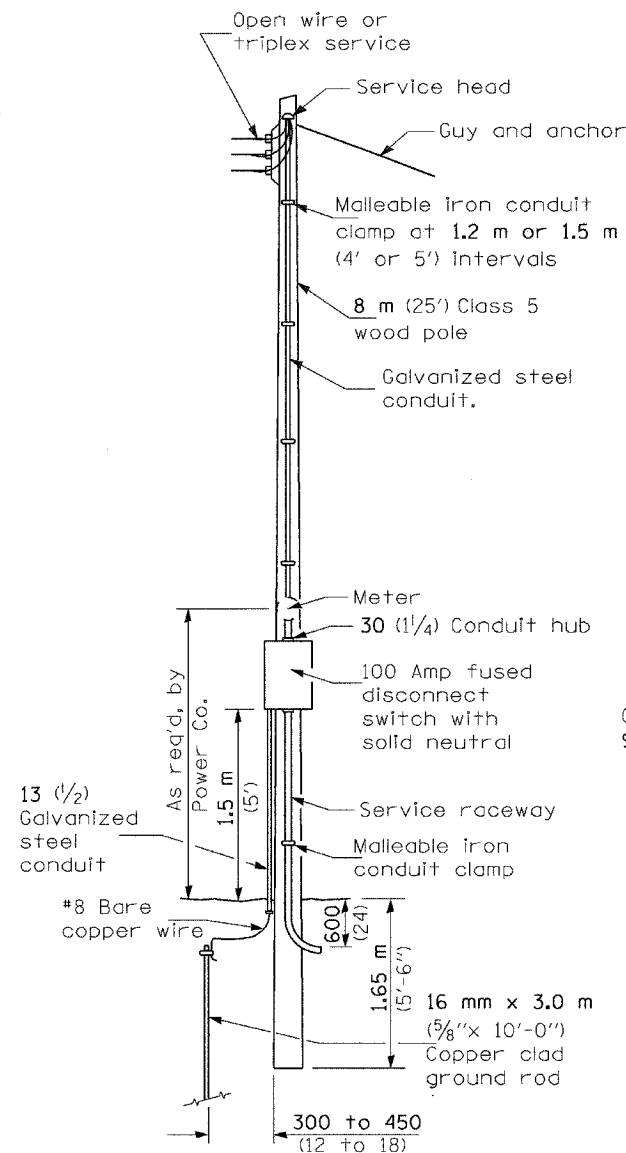
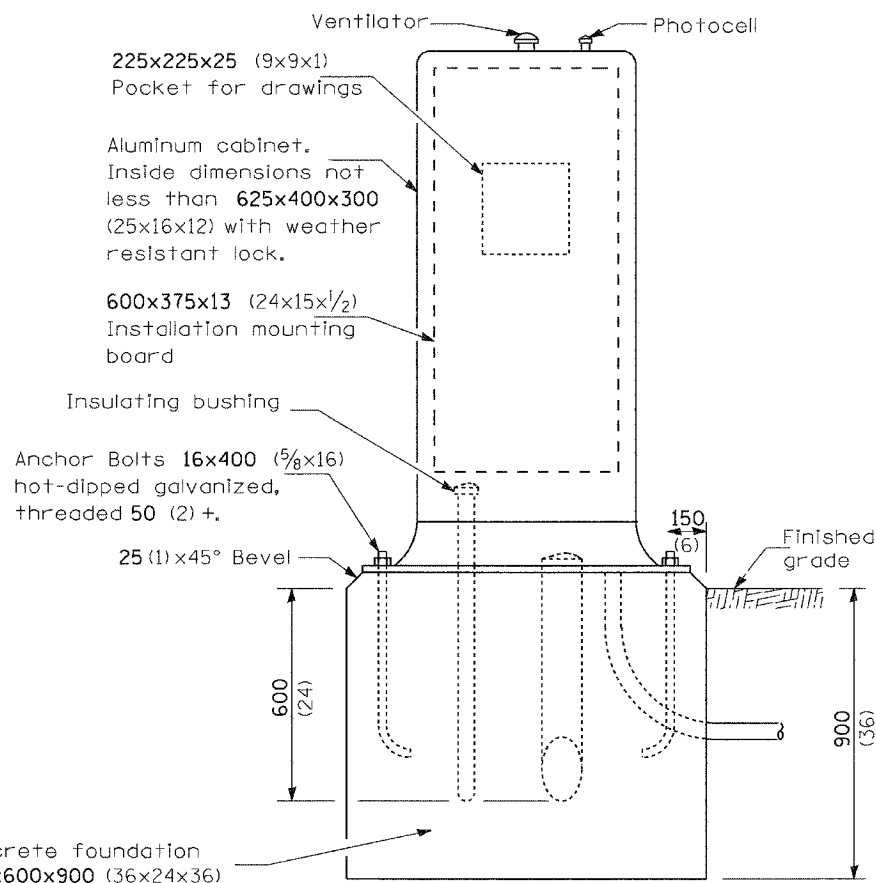


F.A. RTE.	SECTION	COUNTY	TOTAL SHEETS	SHEET NO.
MS 6600	05-00012-00-FF	HENRY	75	53
STA.		TO STA.		
FED. ROAD DIST. NO.		ILLINOIS FED. AID PROJECT		

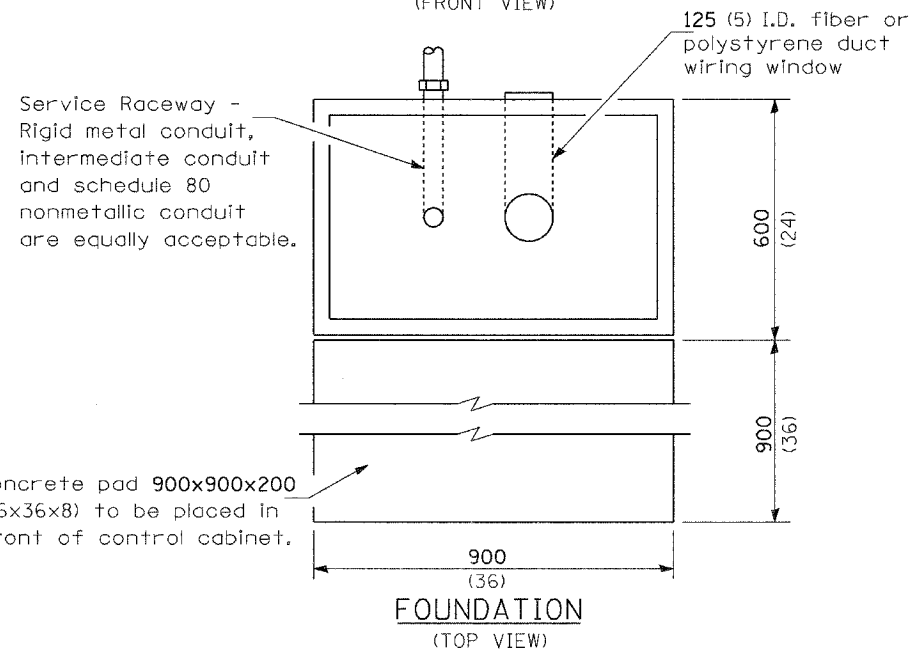
- A Selector switch
- B 2 Pole 100 amp contactor
- C 2 Pole 100 amp service disconnect
- D 2 Pole 20 amp breaker
- E 1 Pole 20 amp breakers
- F 1 Pole 20 amp breaker
- G Photocell w/integral surge arrester



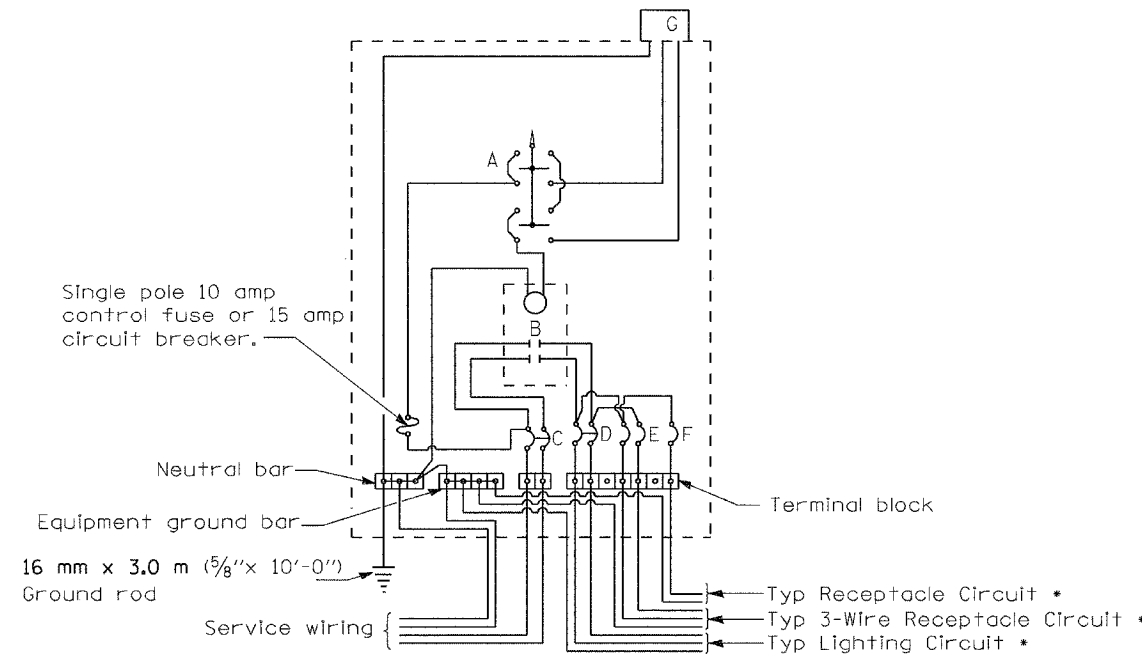
SERVICE POLE



CONTROL INSTALLATION (FRONT VIEW)



FOUNDATION (TOP VIEW)



WIRING DIAGRAM

GENERAL NOTES

Locate service pole and control installation adjacent to R.O.W. line with a minimum distance of 9 m (30') from the edge of pavement. Exact location shall be established by the Engineer.

The underground service entrance wiring shall not exceed 46 m (150'). Total aerial and underground service between the control installation and primary transformer shall not exceed 76 m (250').

Raceways shall terminate 75 (3) above top of concrete foundation.

For 480 V. systems, a 480/120 V. control transformer will be required.

All dimensions are in millimeters unless otherwise shown.

- 240 V. SERVICE
- 480 V. SERVICE

REVISIONS	
NAME	DATE

ILLINOIS DEPARTMENT OF TRANSPORTATION

**LIGHTING PLANS
CONTROL INSTALLATION
TYPE CB-RCS-100**

SCALE: VERT. _____
HORIZ. _____
DATE _____

DRAWN BY _____
CHECKED BY _____