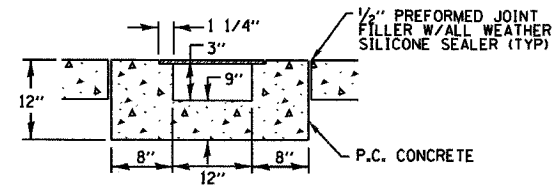
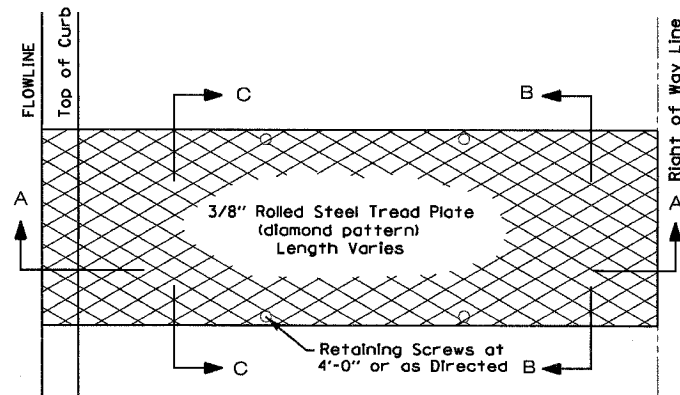


DATE	SECTION	COUNTY	TOTAL SHEETS	SHEET NO.
M5 8600	05-00012-00-FP	HENRY	75	54
STA.	TO STA.			
FED. ROAD DIST. NO.	ILLINOIS	FED. AID PROJECT		



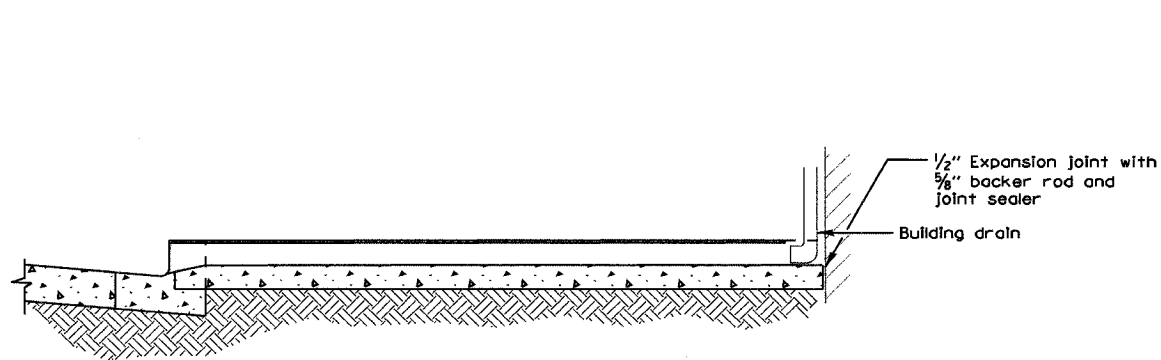
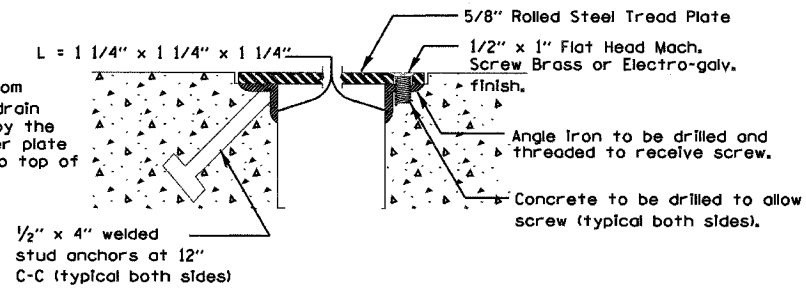
SECTION B-B



PLAN VIEW

Notes:

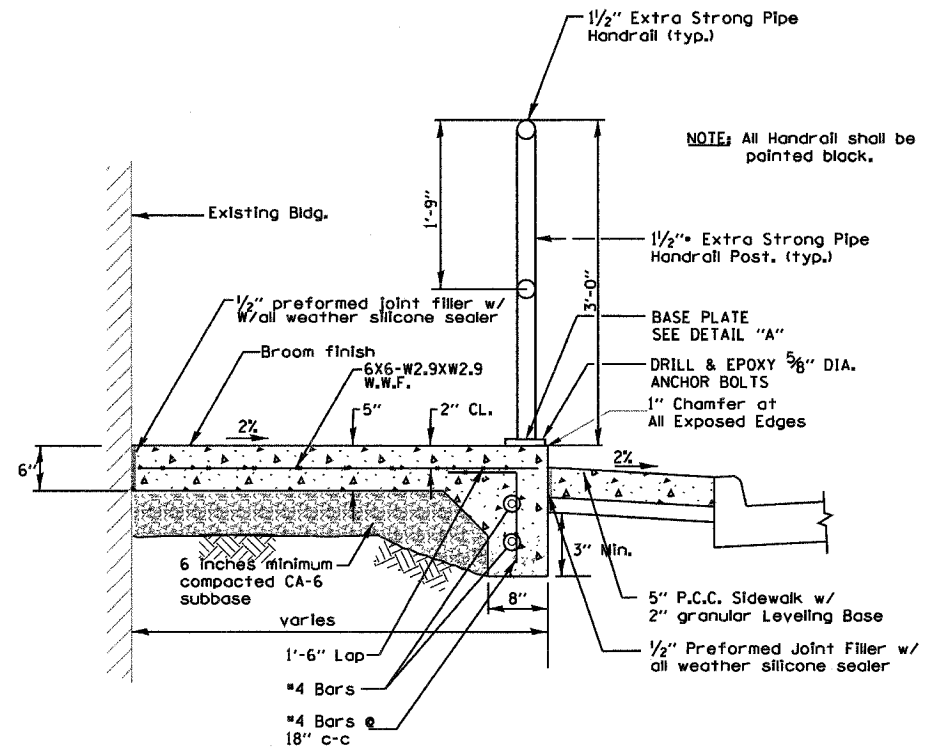
- Length of steel plate varies. $L = 1\ 1/4" \times 1\ 1/4" \times 1\ 1/4"$
- Chase and cover plate run from Right of Way line or building drain to flow line unless approved by the Engineer. With curb walk, cover plate extends from property line to top of walk face.



SECTION A-A

BUILDING DRAIN OUTLET DETAILS

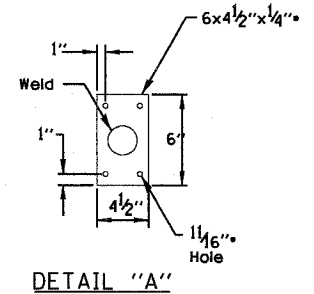
NOT TO SCALE



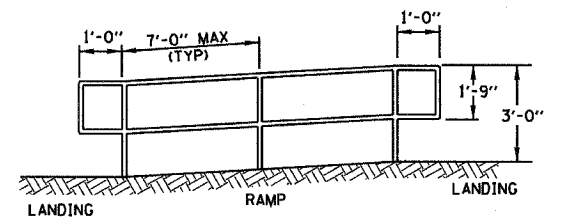
NOTE: All Handrail shall be painted black.

ELEVATED SIDEWALK, ACCESSIBILITY RAMP AND HANDRAIL DETAIL

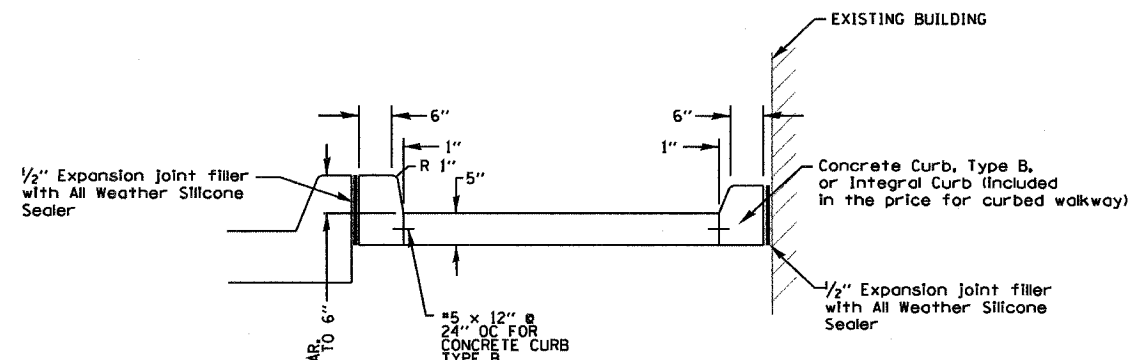
NOT TO SCALE



DETAIL "A"



DETAIL "B"



CURBED WALKWAY

NOT TO SCALE