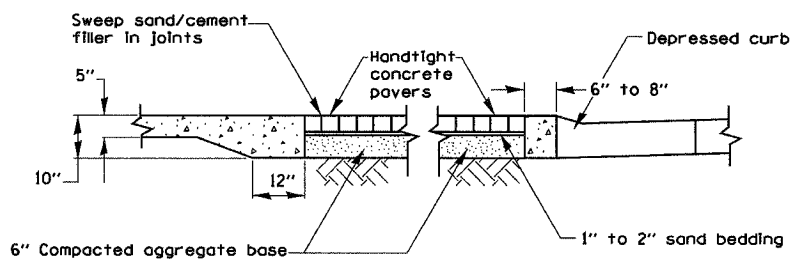
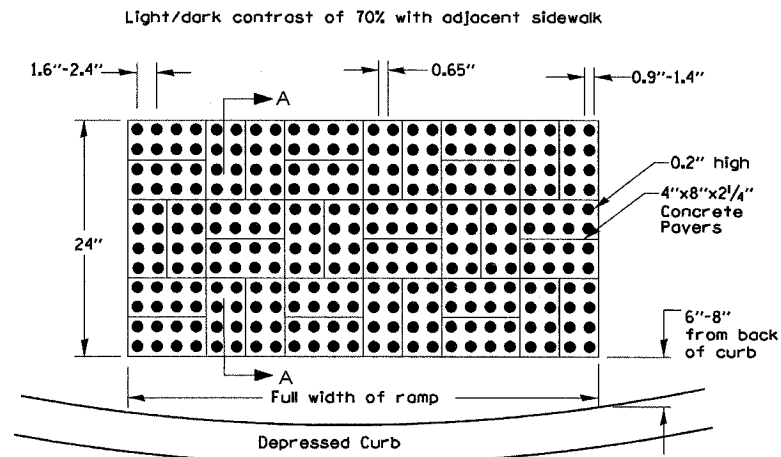


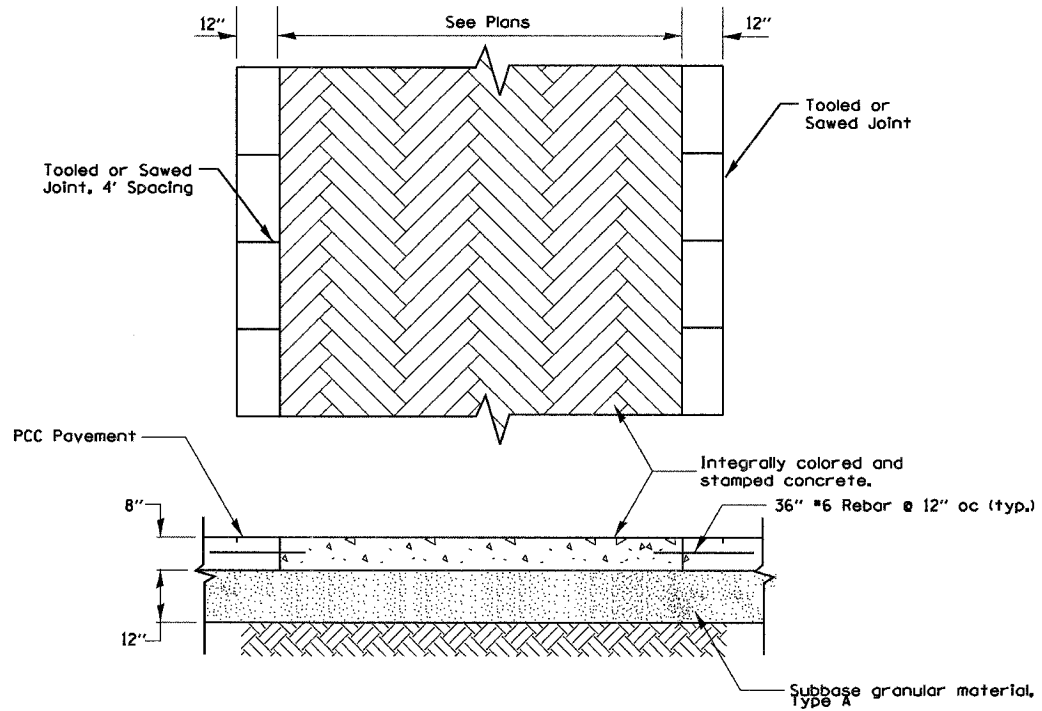
ROUTE	SECTION	COUNTY	TOTAL SHEETS	SHEET NO.
M5 6600	05-00012-00-FP	HENRY	75	55
STA.	TO STA.			
FED. ROAD DIST. NO.	ILLINOIS FED. AID PROJECT			



SECTION A-A

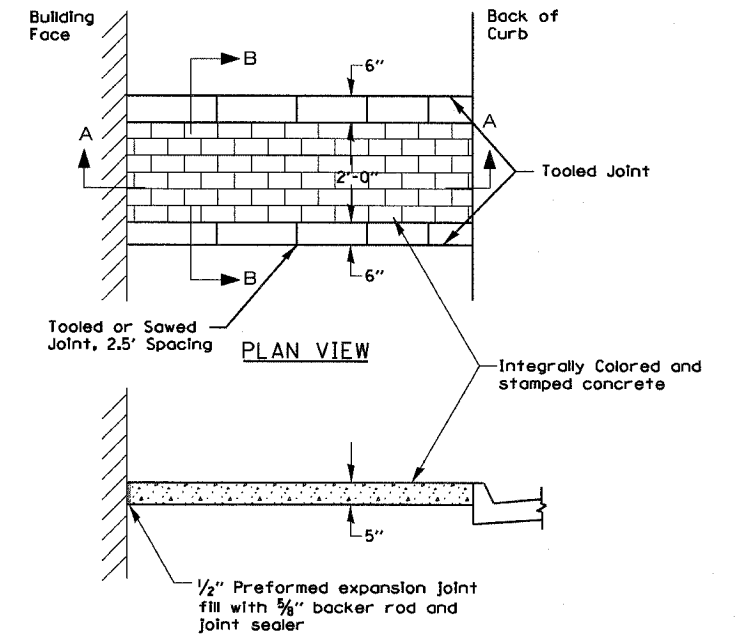
DETECTABLE WARNING CONCRETE PAVERS

NOT TO SCALE

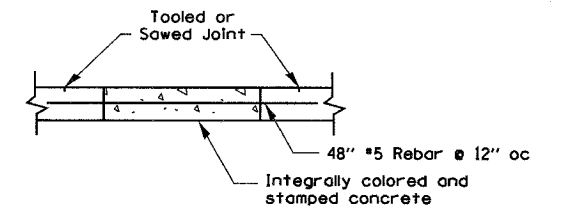


TEXTURED (STAMPED) AND COLORED CROSSWALK

NOT TO SCALE



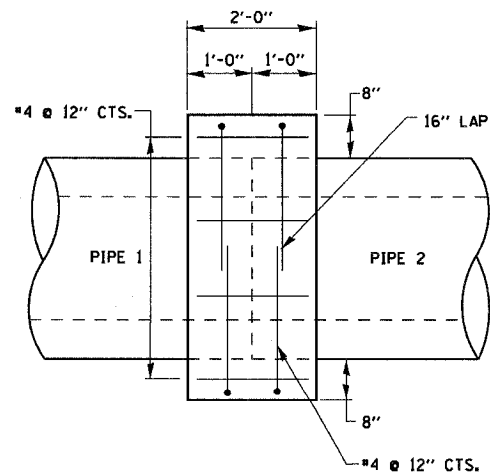
SECTION A-A



SECTION B-B

TEXTURED (STAMPED) AND COLORED SIDEWALK

NOT TO SCALE



CONCRETE COLLAR

NOT TO SCALE

Concrete Collars shall be constructed of Class S1 Concrete in accordance with Section 503 of the Standard Specifications.

Reinforcement bars shall conform to Section 508 of the Standard Specifications.