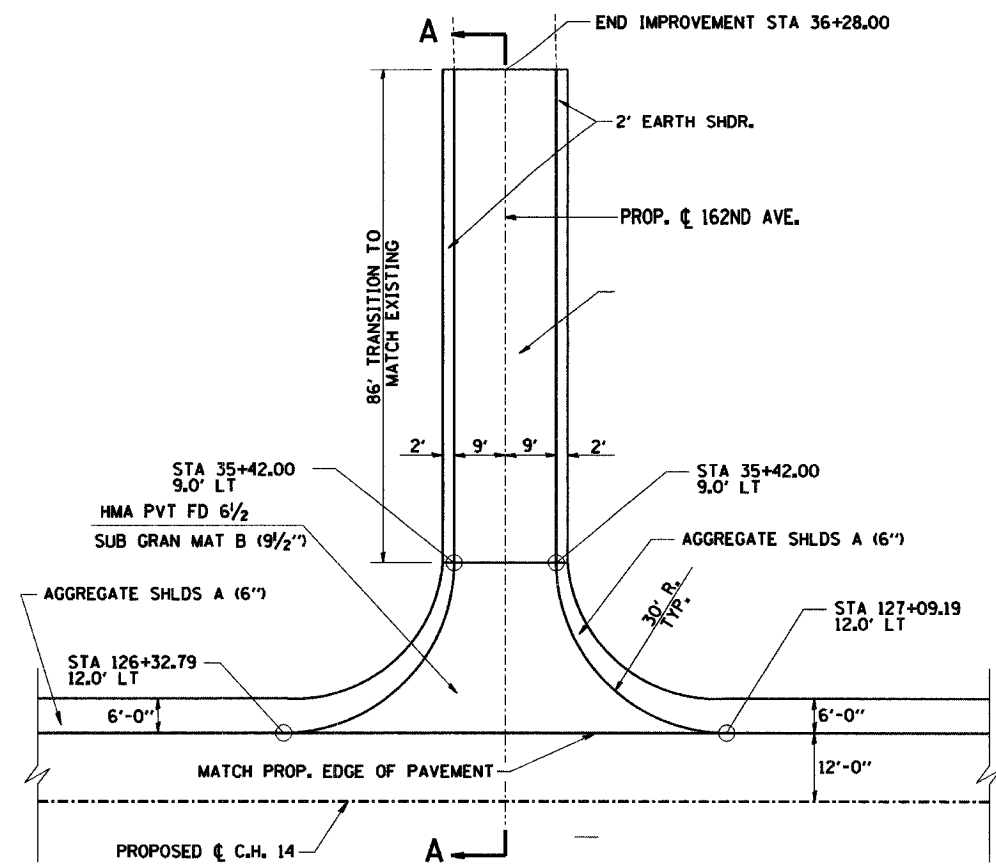
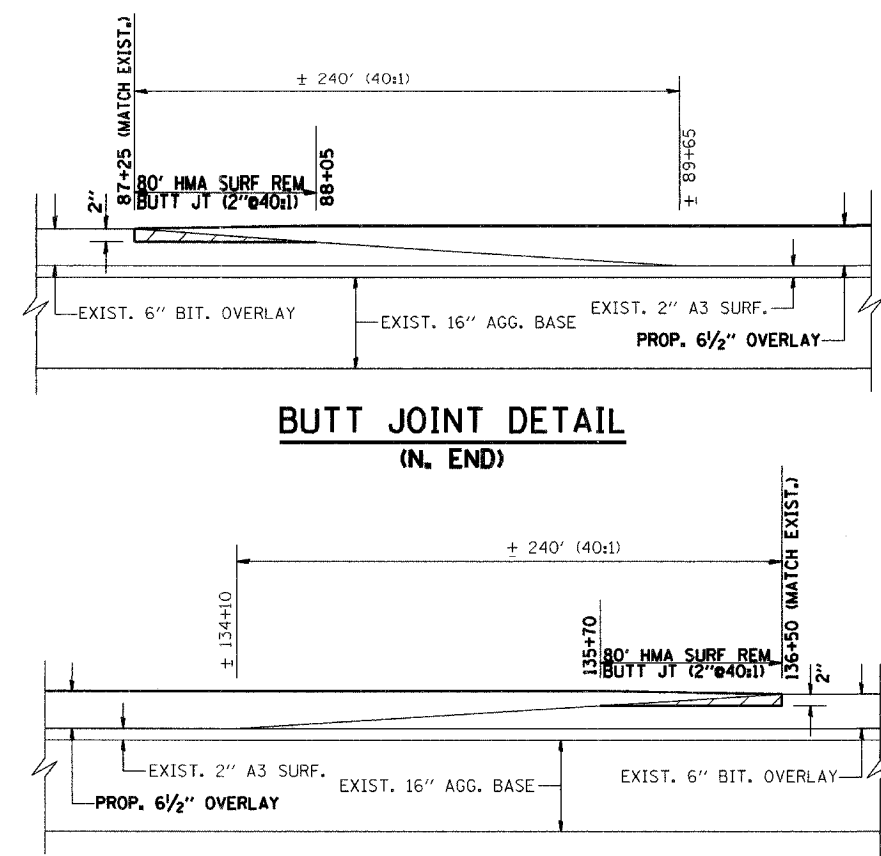


ROUTE NO.	SECTION	COUNTY	TOTAL SHEETS	SHEET NO.
C.H. 14	00-00091-00-BR	MERCER	111	55
F.A.S. 209				
FED. ROAD DIST. NO.	ILLINOIS PROJECT			

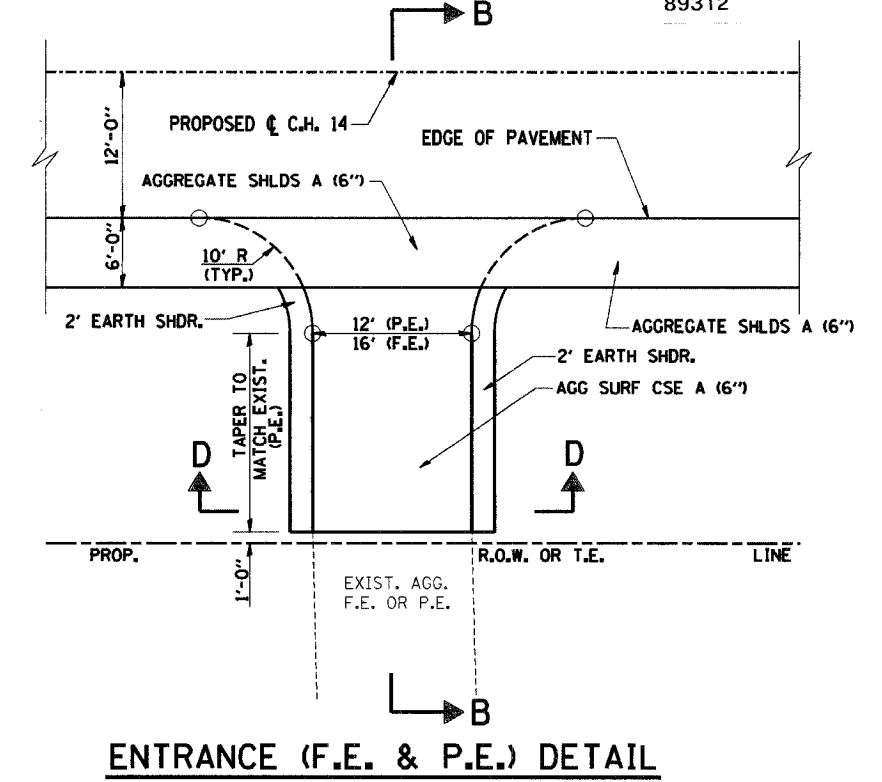
CONTRACT NO. 89312



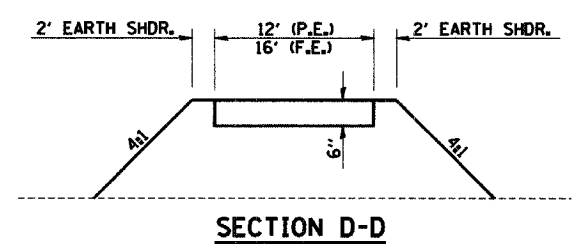
**SIDEROAD DETAIL (162ND AVE.)**



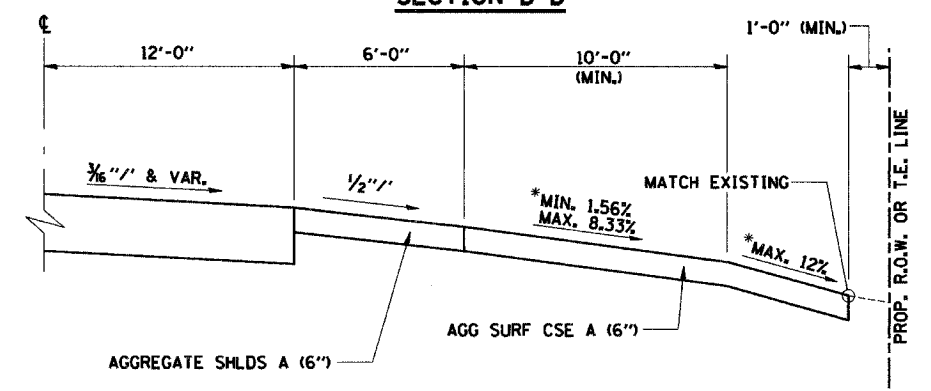
**BUTT JOINT DETAIL (S. END)**



**ENTRANCE (F.E. & P.E.) DETAIL**

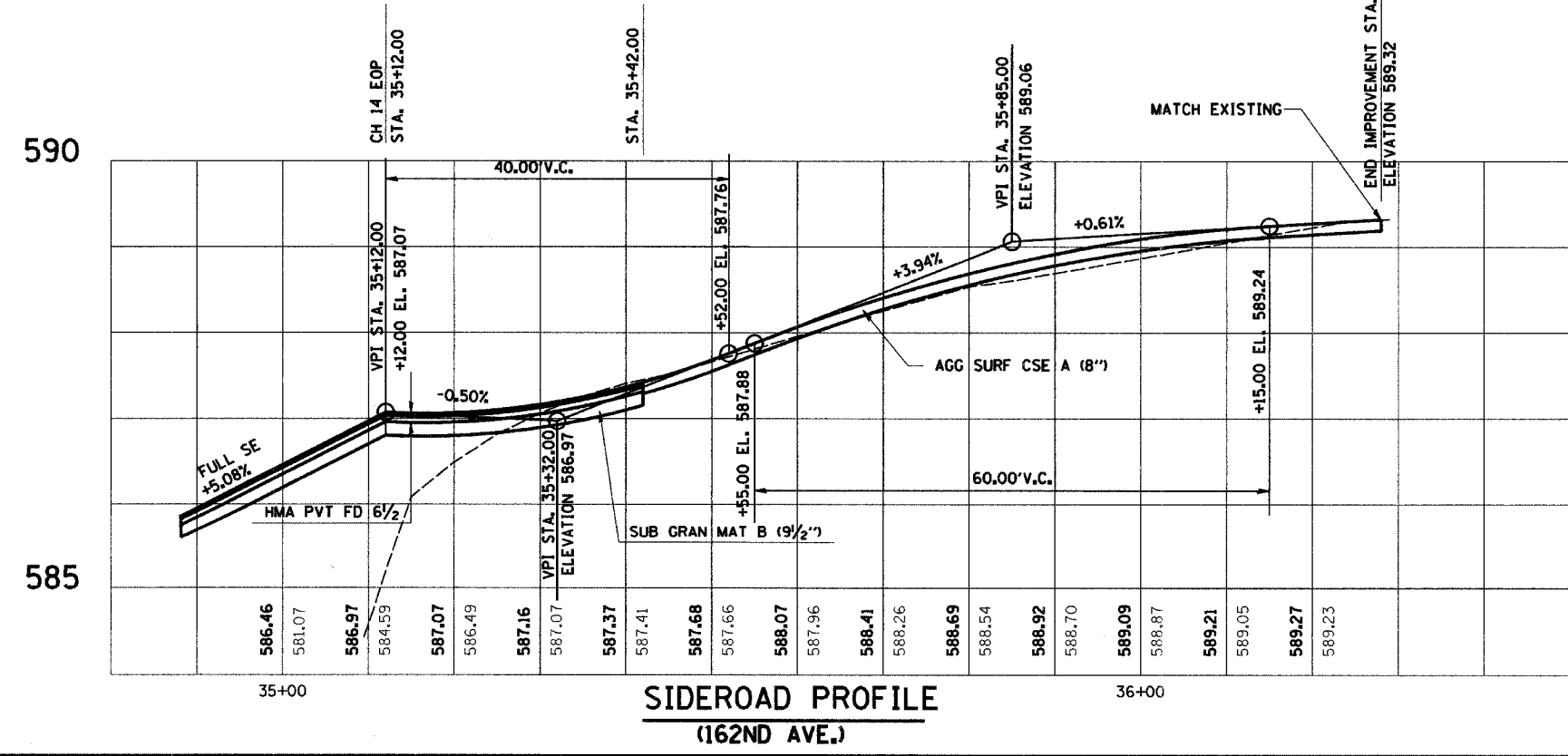


**SECTION D-D**



**SECTION B-B**

\*SEE CROSS SECTIONS



**SIDEROAD PROFILE (162ND AVE.)**

DETAILS		
Date	Designed: SMK	<b>F.A.S. 209 (C.H. 14) OVER KEATING CREEK                  NEW BOSTON ROAD                  SECTION 00-00091-00-BR                  MERCER COUNTY</b>
Revisions	Drawn: MEC	
	Checked: SMK	
	Approved: SMK	
Prepared by:	<b>URS</b> 345 East Ash Avenue Decatur, IL 62526	URS Job No. 21-00001253.01