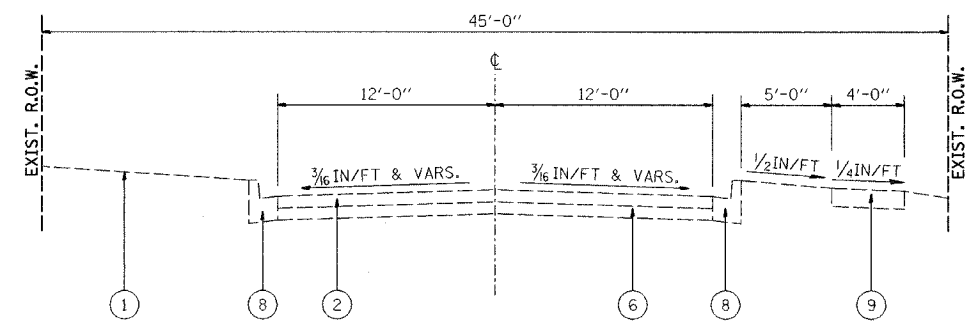
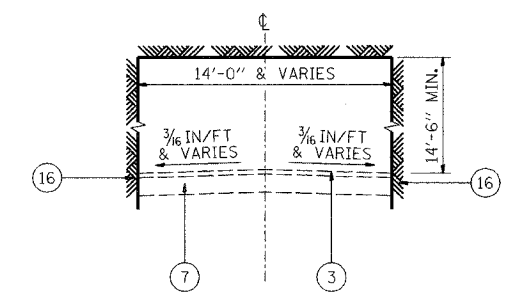


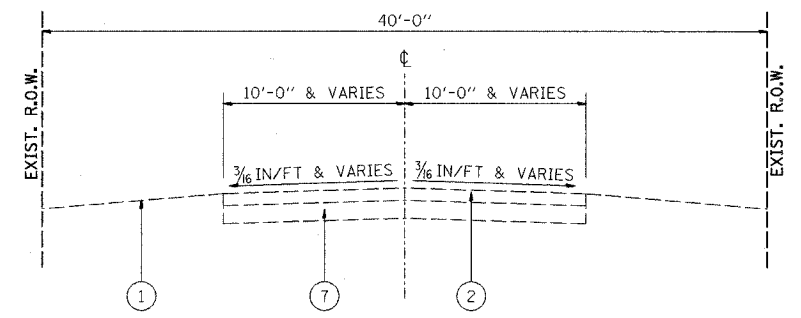
PLAN	SURVEYED	DATE
	ALIGNED	
	NOTED	
	BY	
	DATE	
	BY	
	DATE	
	BY	
	DATE	
	BY	
	DATE	



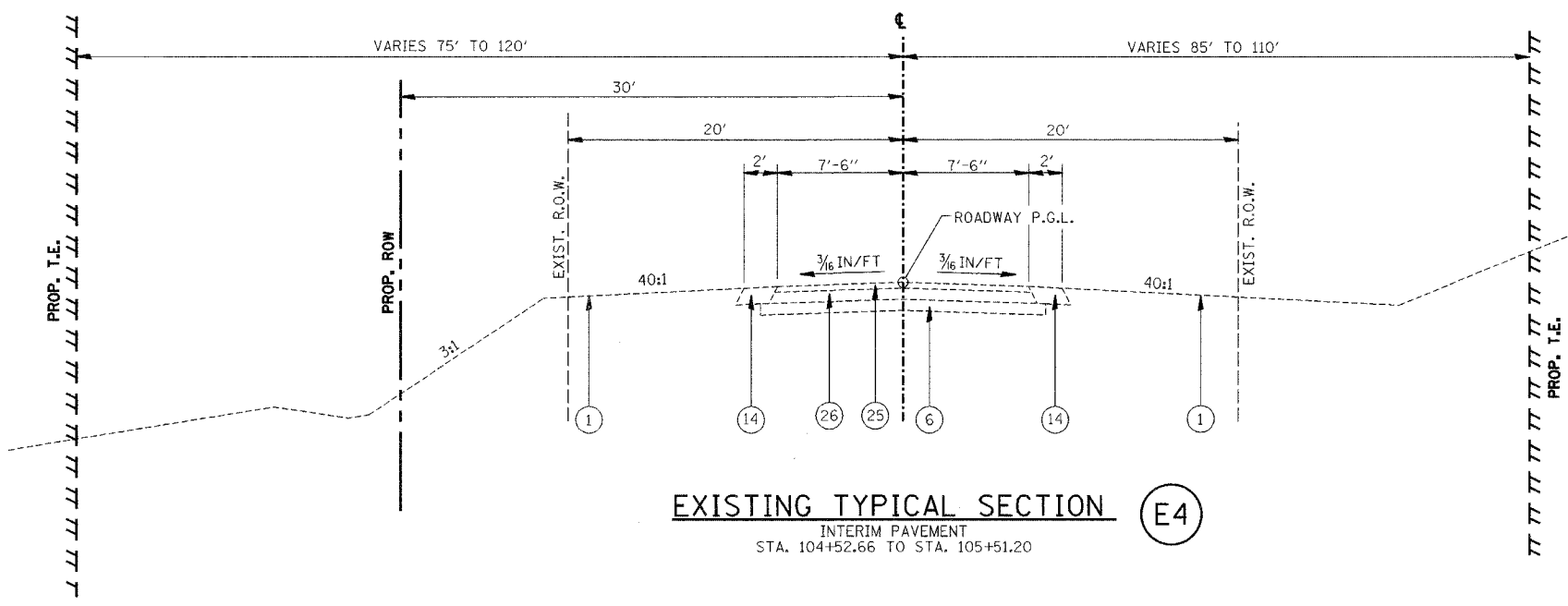
EXISTING TYPICAL SECTION E1
STA. 97+00 TO STA. 102+39.12



EXISTING TYPICAL SECTION E3
STA. 104+16.23 TO STA. 104+52.66



EXISTING TYPICAL SECTION E2
STA. 102+39.12 TO STA. 104+16.23



EXISTING TYPICAL SECTION E4
INTERIM PAVEMENT
STA. 104+52.66 TO STA. 105+51.20

LEGEND:

① GROUND LINE	⑦ AGG. BASE COURSE, 6"	⑮ CONC. DECK BEAMS 36"X27"	⑳ POLYMERIZED BITUMINOUS CONCRETE SURFACE COURSE, SUPERPAVE, MIX "D", N70, 2"
② BIT. SURFACE, 4"	⑧ COMB. C&G, TYPE B-6.12	⑯ ABUTMENT	㉑ POLYMERIZED BITUMINOUS CONCRETE BINDER COURSE, SUPERPAVE, IL-19.0, N70, 2 1/4"
③ O&C SURFACE, 1 1/2"	⑨ P.C.C. SIDEWALK, 5"	⑰ STEEL PLATE BEAM GUARDRAIL	㉒ BITUMINOUS PAVEMENT, 6"
④ O&C SURFACE, 2"	⑩ P.C.C. PAVEMENT, 9-6-9	⑱ BITUMINOUS CONCRETE BINDER COURSE, SUPERPAVE, IL-19.0, N70, 8"	㉓ BITUMINOUS CONCRETE SURFACE COURSE, SUPERPAVE, MIX "C", N50, 2"
⑤ O&C SURFACE, 4"	⑪ P.C.C. BASE COURSE, 8"	⑲ COMB. C&G TYPE B-6.24	㉔ BITUMINOUS CONCRETE BINDER COURSE, SUPERPAVE, IL-19.0, N50, 4"
⑥ AGG. BASE COURSE, 4"	⑫ BIT. BASE COURSE, 9 1/2"	⑳ AGG. BASE COURSE, TYPE A, 5.5"	
	⑬ BIT. SHOULDER, 6"	㉑ BITUMINOUS CONCRETE BINDER COURSE, SUPERPAVE, IL-19.0, N70, 5 3/4"	
	⑭ AGG. SHOULDER, TYPE B		

(E1) TO (E4) = LABELS FOR PLANS SHEET TO REFERENCE EXISTING TYPICALS

REVISIONS	
NAME	DATE

CITY OF DANVILLE, ILLINOIS
WINTER AVENUE RECONSTRUCTION
EXISTING TYPICAL SECTIONS
E1-E4
WINTER AVENUE

SCALE: NTS
DRAWN BY: SRS
DATE: 12/21/06
CHECKED BY: MBF