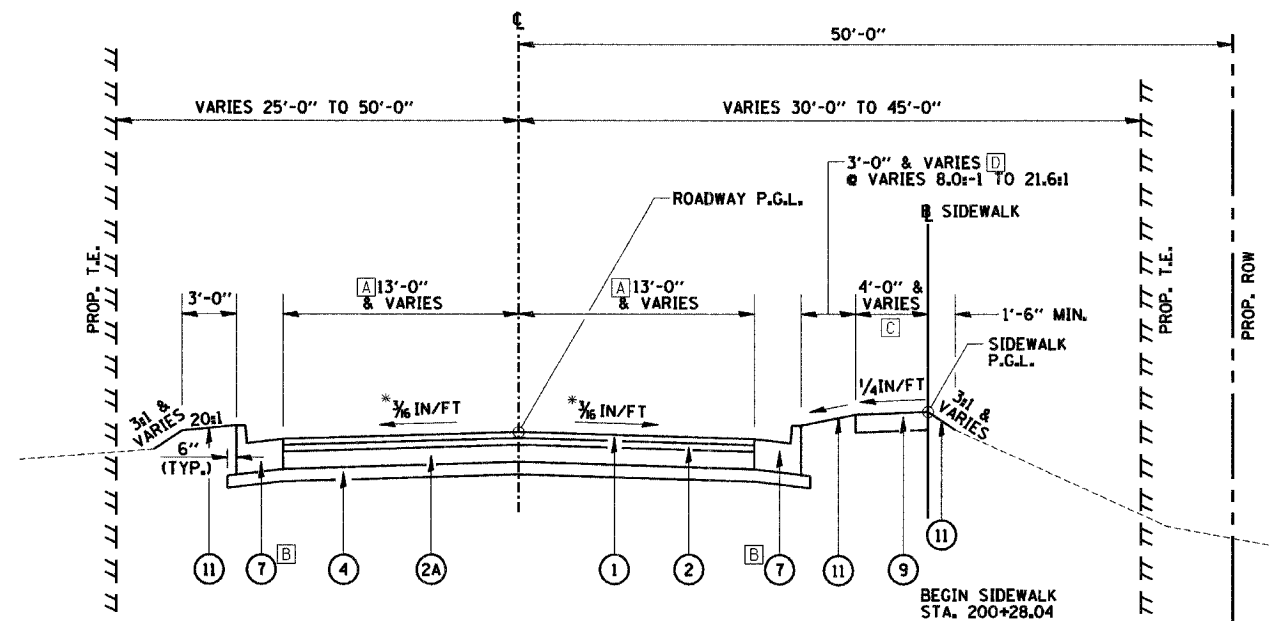


F.A.J. RTE.	SECTION	COUNTY	TOTAL SHEETS	SHEET NO.
6998	99-00209-01-PV	VERMILION	296	9
STA.	TO STA.			
FED. ROAD DIST. NO.	ILLINOIS	FED. AID PROJECT-		
CONTRACT NO.: 91358				

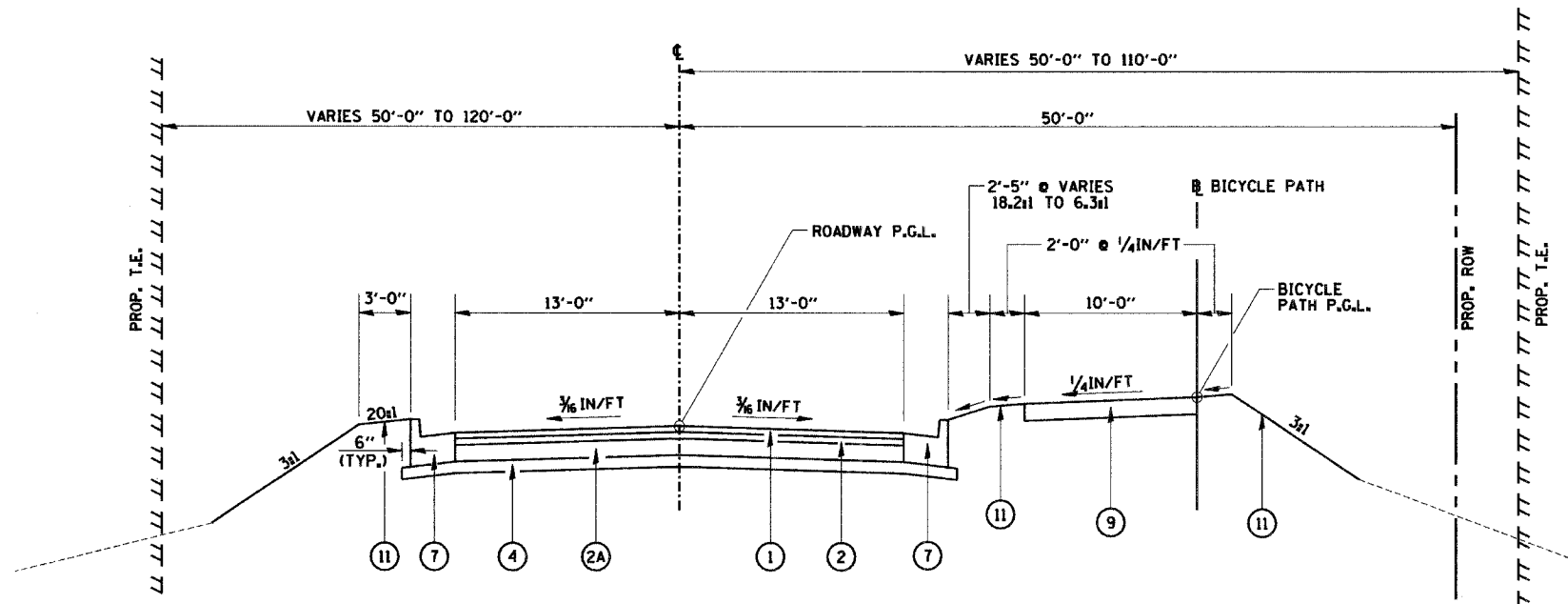
PLAN	SURVEYED	BY	DATE
	DESIGNED		
	CHECKED		
	IN CHARGE		
	NOTE BOOK NO.		
	FILE NAME		



- A STA. 100+10 TO STA. 100+60 VARIES 11'-8" TO 13'-0"
- B STA. 100+10 TO STA. 100+60 VARIES B-6.12 TO B-6.24
- C STA. 101+75 TO STA. 102+25 VARIES 4'-0" TO 10'-0"
- D STA. 101+75 TO STA. 102+25 VARIES 3'-0" TO 4'-5"

PROPOSED TYPICAL SECTION P1
STA. 100+10 TO STA. 102+25

* TRANSITION PAVEMENT SLOPE TO MATCH EXISTING STA. 100+10 TO STA. 100+60



PROPOSED TYPICAL SECTION P2
STA. 102+25 TO STA. 104+20.35

PROPOSED LEGEND:

- 1 POLYMERIZED HOT-MIX ASPHALT SURFACE COURSE, MIX "T", N70, 2"
- 2 POLYMERIZED HOT-MIX ASPHALT BINDER COURSE, IL-19.0, N70, 2 1/4"
- 2A HOT-MIX ASPHALT BINDER COURSE, IL-19.0, N70, 5 1/4"
- 4 AGGREGATE BASE COURSE, TYPE A, 5.5"
- 5 AGGREGATE BASE COURSE, TYPE A, 6.5"
- 7 COMBINATION CONCRETE CURB & GUTTER, TYPE B-6.24
- 8 COMBINATION CONCRETE CURB & GUTTER, TYPE B-9.24
- 9 PORTLAND CEMENT CONCRETE SIDEWALK, 5"
- 10 PORTLAND CEMENT CONCRETE SIDEWALK, 5", SPECIAL
- 11 SEEDING, CLASS 1A
- 12 AGGREGATE SHOULDER, TYPE A, 6"
- 14 STONE RIPRAP, CLASS A2 (SPECIAL)

P1 to P2 = LABELS FOR PLANS SHEET TO REFERENCE PROPOSED TYPICALS

REVISIONS	
NAME	DATE

CITY OF DANVILLE, ILLINOIS
WINTER AVENUE RECONSTRUCTION
PROPOSED TYPICAL SECTIONS
P1-P2
WINTER AVENUE

SCALE: NTS
DRAWN BY: NIL
DATE: 12/21/06
CHECKED BY: MBF