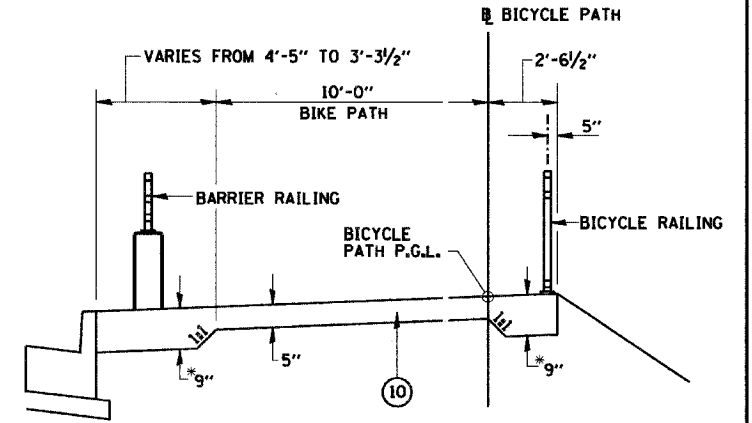
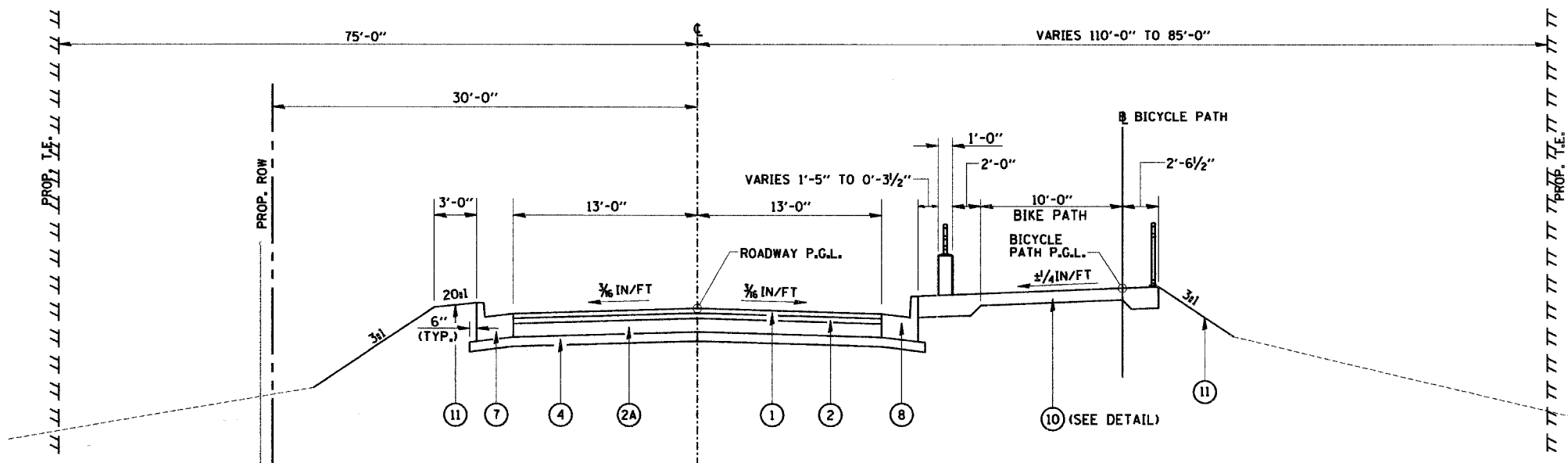


F.A.D. RTE.	SECTION	COUNTY	TOTAL SHEETS	SHEET NO.
6998	99-00209-01-PV	VERMILION	296	11
STA.	TO STA.			
FED. ROAD DIST. NO. ILLINOIS	FED. AID PROJECT-			

CONTRACT NO.: 91358

DATE	BY
SURVEYED	BY
DESIGNED	BY
CHECKED	BY
IN CHARGE	BY
NOTE BOOK NO.	
ADD. FILE NAME	



* ADDED BIKE PATH THICKNESS IS INCLUDED IN PAY ITEM 10 AND NO ADDITIONAL COMPENSATION WILL BE ALLOWED.

DETAIL

PROPOSED TYPICAL SECTION P5

STA. 105+24 TO STA. 105+51.20 (WINTER AVENUE)
 STA. 205+23.67 TO STA. 205+61.98 (BICYCLE PATH)

STA. 105+51.20 TO 107+18.20 (WINTER AVENUE)
 STA. 205+61.98 TO 207+07.94 (BICYCLE PATH)
 BUILT IN CONTRACT 2
 SEE EXISTING TYPICAL SECTION E5

PROPOSED LEGEND:

- ① POLYMERIZED HOT-MIX ASPHALT SURFACE COURSE, MIX "D", N70, 2"
- ② POLYMERIZED HOT-MIX ASPHALT BINDER COURSE, IL-19.0, N7, 2 1/4"
- ②A HOT-MIX ASPHALT BINDER COURSE, IL-19.0, N70, 5 3/4"
- ④ AGGREGATE BASE COURSE, TYPE A, 5.5"
- ⑤ AGGREGATE BASE COURSE, TYPE A, 6.5"
- ⑦ COMBINATION CONCRETE CURB & GUTTER, TYPE B-6.24
- ⑧ COMBINATION CONCRETE CURB & GUTTER, TYPE B-9.24
- ⑨ PORTLAND CEMENT CONCRETE: SIDEWALK, 5"
- ⑩ PORTLAND CEMENT CONCRETE: SIDEWALK, 5", SPECIAL
- ⑪ SEEDING, CLASS 1A
- ⑫ AGGREGATE SHOULDER, TYPE A, 6"
- ⑭ STONE RIPRAP, CLASS A2 (SPECIAL)

P5 = LABEL FOR PLANS SHEET TO REFERENCE PROPOSED TYPICALS

REVISIONS	
NAME	DATE

CITY OF DANVILLE, ILLINOIS
 WINTER AVENUE RECONSTRUCTION
 PROPOSED TYPICAL SECTIONS
 P5
 WINTER AVENUE

SCALE: NTS
 DRAWN BY: NIL
 DATE: 12/21/06
 CHECKED BY: MBF