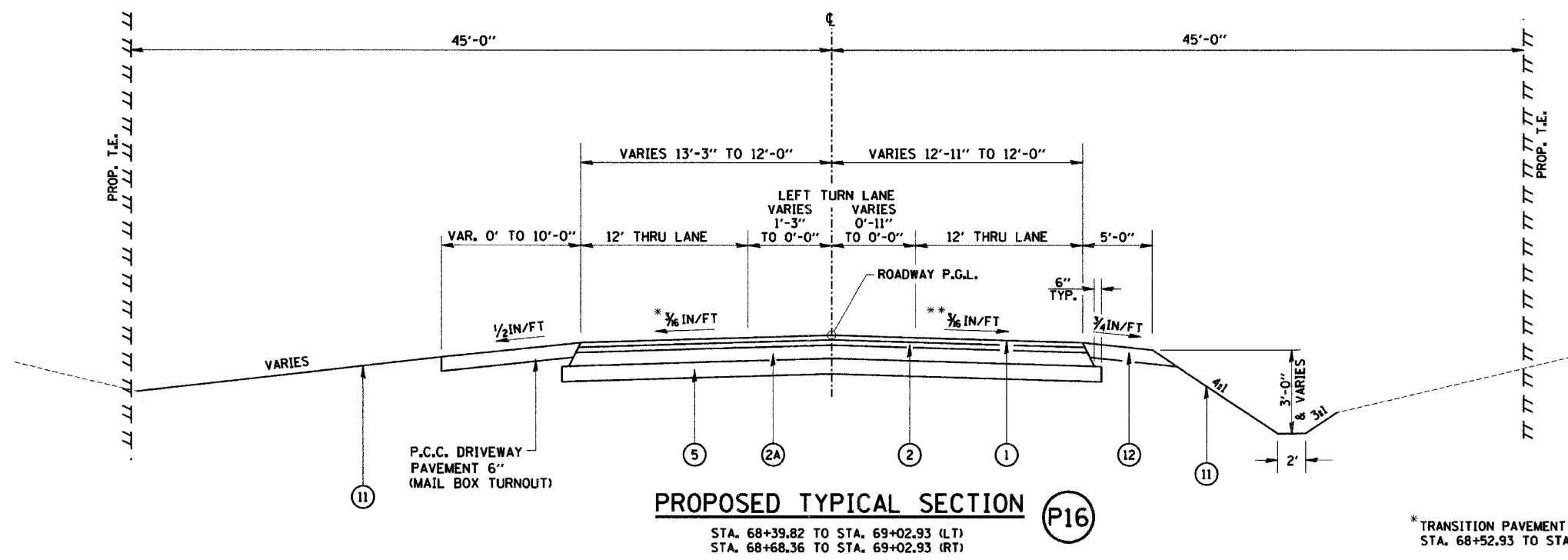


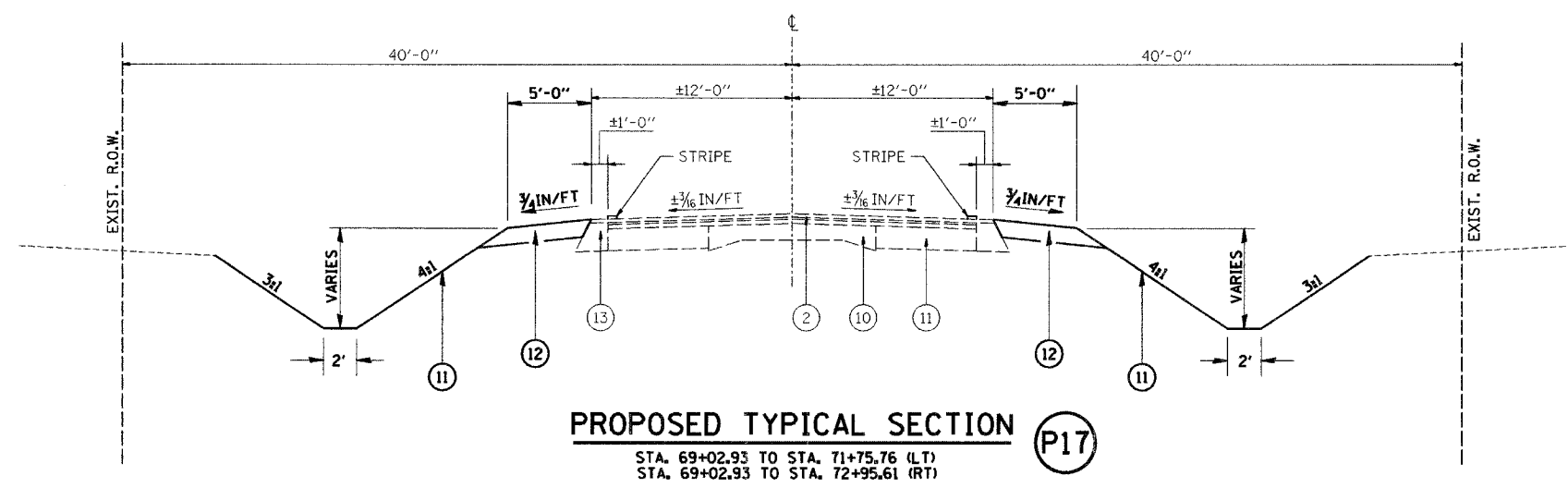
| | | | | |
|------------------------------|-------------------|-----------|--------------|-----------|
| F.A.D. RTE. | SECTION | COUNTY | TOTAL SHEETS | SHEET NO. |
| 6998 | 99-00209-01-PV | VERMILION | 296 | 17 |
| STA. | TO STA. | | | |
| FED. ROAD DIST. NO. ILLINOIS | FED. AID PROJECT- | | | |
| CONTRACT NO.: 91358 | | | | |

| | | |
|------|-----------|------|
| PLAN | SURVEYED | DATE |
| | BY | |
| | NOTED | |
| | REVISIONS | |
| | REVISION | DATE |
| | NO. | |
| | BY | |
| | DATE | |
| | BY | |
| | DATE | |



PROPOSED TYPICAL SECTION P16
 STA. 68+39.82 TO STA. 69+02.93 (LT)
 STA. 68+68.36 TO STA. 69+02.93 (RT)

* TRANSITION PAVEMENT SLOPE TO MATCH EXISTING
 STA. 68+52.93 TO STA. 69+02.93
 ** TRANSITION PAVEMENT SLOPE TO MATCH EXISTING
 STA. 68+68+36 TO STA. 69+02.93



PROPOSED TYPICAL SECTION P17
 STA. 69+02.93 TO STA. 71+75.76 (LT)
 STA. 69+02.93 TO STA. 72+95.61 (RT)

PROPOSED LEGEND:

- ① POLYMERIZED HOT-MIX ASPHALT SURFACE COURSE, MIX "D", N70, 2"
- ② POLYMERIZED HOT-MIX ASPHALT BINDER COURSE, IL-19.0, N70, 2 1/4"
- ②A HOT-MIX ASPHALT BINDER COURSE, IL-19.0, N70, 5 3/4"
- ④ AGGREGATE BASE COURSE, TYPE A, 5.5"
- ⑤ AGGREGATE BASE COURSE, TYPE A, 6.5"
- ⑦ COMBINATION CONCRETE CURB & GUTTER, TYPE B-6.24
- ⑧ COMBINATION CONCRETE CURB & GUTTER, TYPE B-9.24
- ⑨ PORTLAND CEMENT CONCRETE SIDEWALK, 5"
- ⑩ PORTLAND CEMENT CONCRETE SIDEWALK, 5", SPECIAL
- ⑪ SEEDING, CLASS 1A
- ⑫ AGGREGATE SHOULDER, TYPE A, 6"
- ⑭ STONE RIPRAP, CLASS A2 (SPECIAL)

EXISTING LEGEND:

- ① EX. GROUND LINE
- ② EX. BIT. SURFACE, 4"
- ③ EX. O&C SURFACE, 1 1/2"
- ④ EX. O&C SURFACE, 2"
- ⑤ EX. O&C SURFACE, 4"
- ⑥ EX. AGG. BASE COURSE, 4"
- ⑦ EX. AGG. BASE COURSE, 6"
- ⑧ EX. COMB. C&G, TYPE B-6.12
- ⑨ EX. P.C.C. SIDEWALK, 5"
- ⑩ EX. P.C.C. PAVEMENT, 9-6-9
- ⑪ EX. P.C.C. BASE COURSE, 8"
- ⑫ EX. BIT. BASE COURSE, 9 1/2"
- ⑬ EX. BIT. SHOULDER, 6"
- ⑭ EX. AGG. SHOULDER, TYPE B
- ⑮ EX. CONC. DECK BEAMS 36"x27"
- ⑯ EX. ABUTMENT
- ⑰ EX. STEEL PLATE BEAM GUARDRAIL

①6 TO ①7 = LABELS FOR PLANS SHEET TO REFERENCE PROPOSED TYPICALS

| REVISIONS | |
|-----------|------|
| NAME | DATE |
| | |
| | |
| | |
| | |
| | |
| | |
| | |
| | |
| | |
| | |

CITY OF DANVILLE, ILLINOIS
 WINTER AVENUE RECONSTRUCTION
 PROPOSED TYPICAL SECTIONS
 P16-P17
 BOWMAN AVENUE
 SCALE: NTS
 DATE: 12/21/06
 DRAWN BY: NIL
 CHECKED BY: MBF