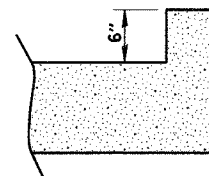
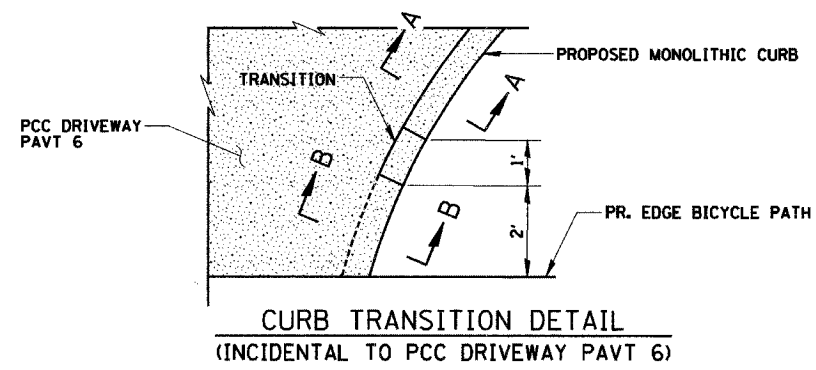
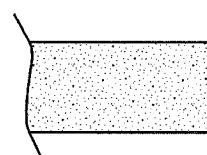


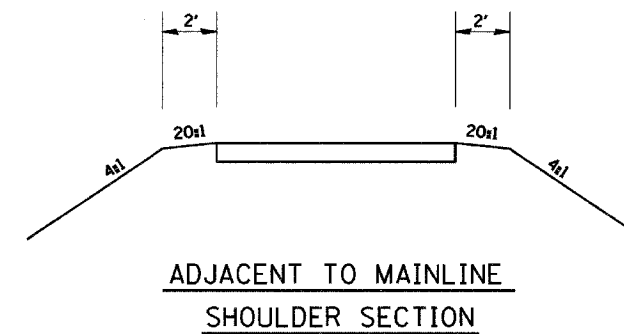
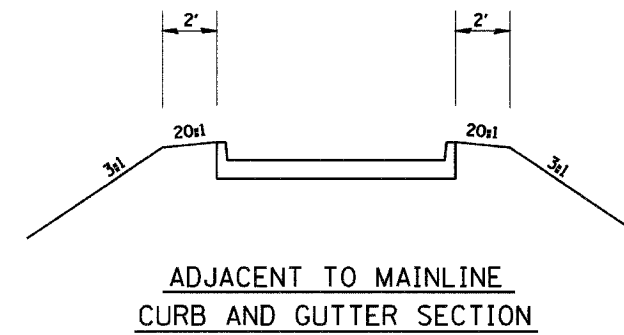
PLAN	SURVEYED	BY	DATE
	PLOTTED		
	CHECKED		
	BY		
	NO. OF WAY CHECKED		
	CAUD FILE NAME		



SECTION A-A



SECTION B-B



TYPICAL ENTRANCE SECTIONS

REVISIONS	
NAME	DATE

CITY OF DANVILLE, ILLINOIS
WINTER AVENUE RECONSTRUCTION
ENTRANCE DETAILS

SCALE: NTS
DRAWN BY: TDN
DATE: 12/21/06
CHECKED BY: MBF