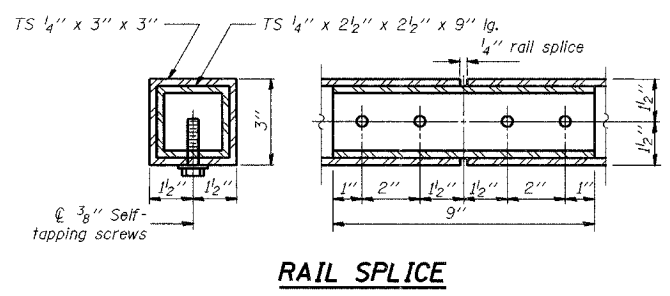
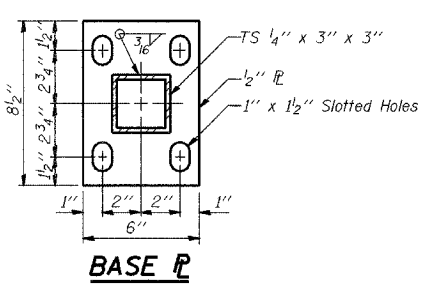
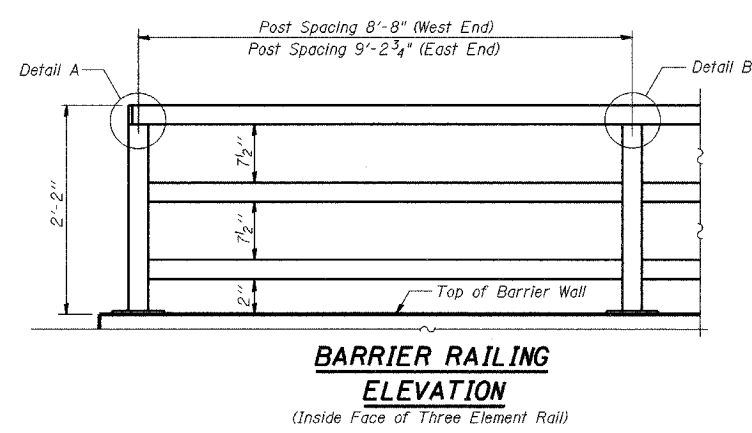
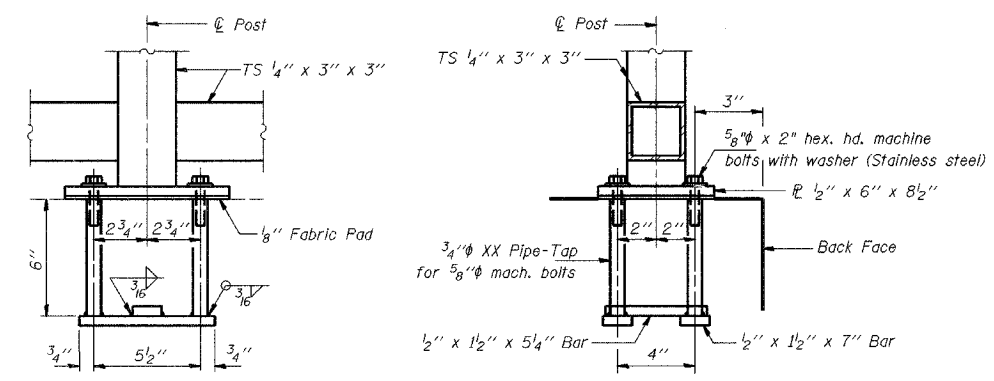
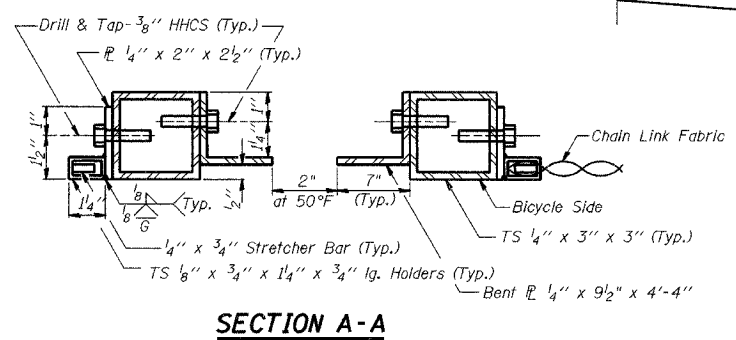
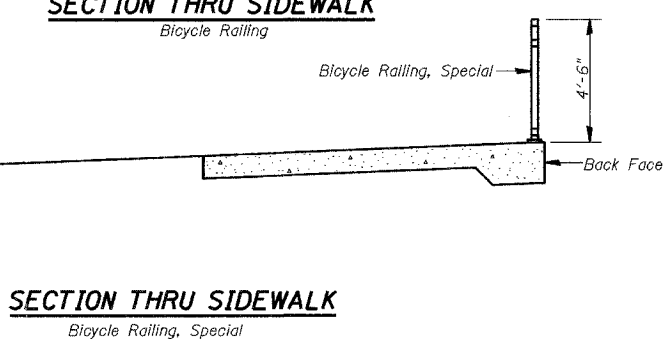
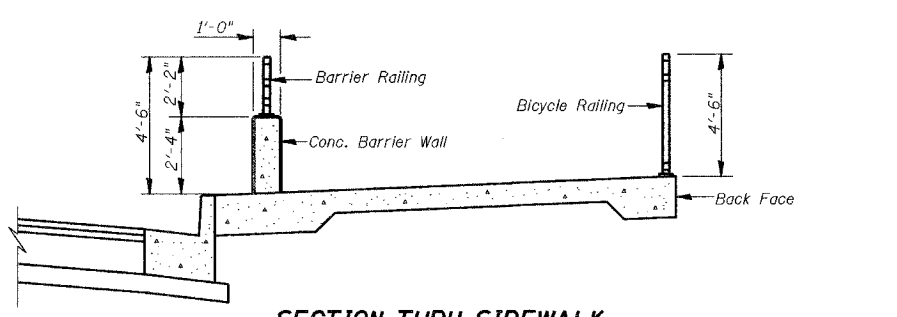
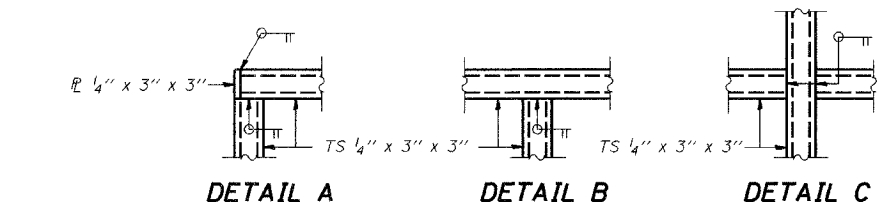
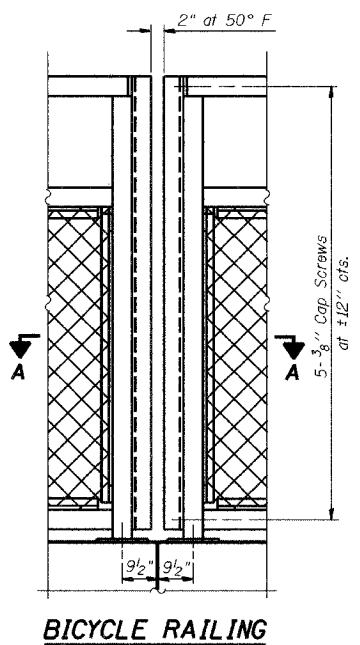
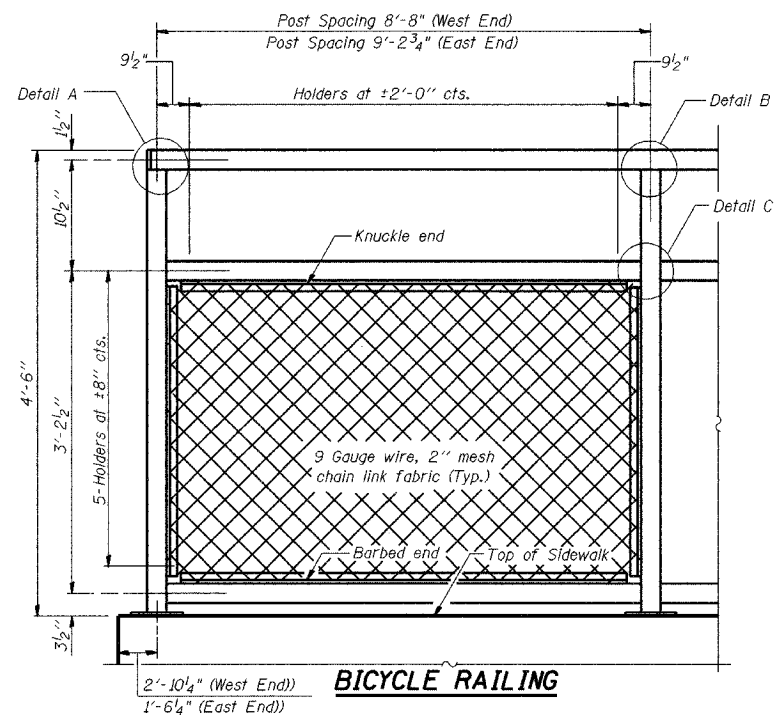


FAU/RTE	SECTION	COUNTY	TOTAL SHEETS	SHEET NO.
6998	99-00209-01-PV	VERMILION	296	70
STA.		TO STA.		
FED. ROAD DIST. NO. ILLINOIS		FED. AID PROJECT-		
CONTRACT NO.: 91358				

DATE	BY
REVISED	BY
NOTE BOOK	
RT. OF M.A. CHECKED	
CADD FILE NAME	
NO.	



NOTES

Railing shall be according to Section 509 of the Standard Specifications, except as noted, and will be paid for at the Contract Unit Price per foot for Bicycle Railing or Bicycle Railing, Special.

The 9 gauge fabric ties shall be according to Article 1006.27 (d) of the Standard Specifications.

Installation of the chain link fabric shall be according to Section 664 of the Standard Specifications.

Follow structural steel tubing shall conform to the requirements of ASTM designation A 500, Grade B, structural steel tubing.

All other steel shapes and plates shall conform to the requirements of AASHTO M 270 Grade 36.

The Barrier Railing, furnished and installed shall not be paid for separately but shall be included in the unit bid price for "Bicycle Railing."

The chain link fabric shall be placed along Bicycle Side as shown on Section A-A.

Stretcher bars shall be used at all four sides of each panel.

If the option of drilling and epoxy grouting the anchor rods is chosen, the Contractor shall use the capsule or the adhesive cartridge type anchor rods that have been previously tested and given a prior approval by the Illinois Department of Transportation. The Contractor shall install these anchor rods in pre-drilled holes according to the manufacturer's recommendations and procedures. The capsule or the adhesive cartridge shall be sealed with premeasured amounts of the adhesive chemical.

Space reinforcement to miss anchor rods.

The chain link fabric shall be black vinyl coated and conform to the requirements of Article 1006.27(a)(1)(d) of the Standard Spec's.

Upon approval from the City of Danville, all post, railing, splices, anchor devices, and bent plates shall be painted using one of the two following paint systems:

- Inorganic Zinc-rich/Waterborne Acrylic for shop and field applications.
- Organic Zinc-rich/Epoxy/Urethane for full shop application.

Finish paint color shall be NI-Black.

(WEST END)			(EAST END)		
Item	Unit	Quantity	Item	Unit	Quantity
* Bicycle Railing	Foot	35.5	* Bicycle Railing	Foot	19.3
			Bicycle Railing, Special	Foot	83.1

* NOT A TOTAL QUANTITY. (FOR TOTAL QUANTITY ADD SIMILAR PAY ITEMS).

REVISIONS	DATE
NAME	DATE

CITY OF DANVILLE, ILLINOIS
WINTER AVENUE RECONSTRUCTION

BICYCLE RAILING DETAILS

SCALE: NTS DATE: 12/21/06
DRAWN BY: SRS CHECKED BY: MBF