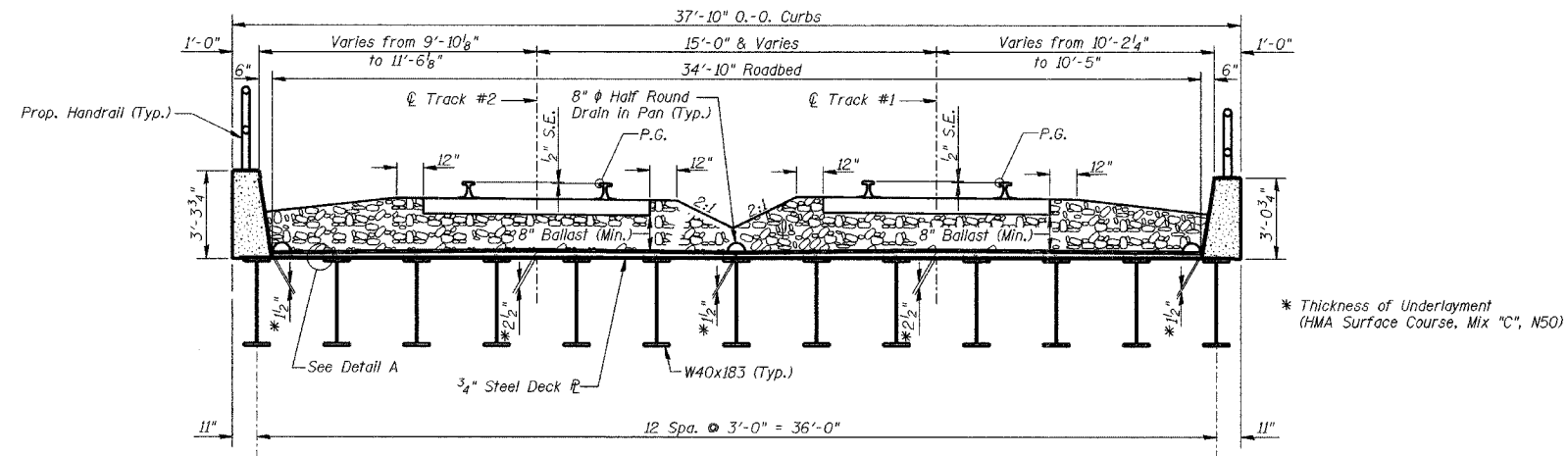
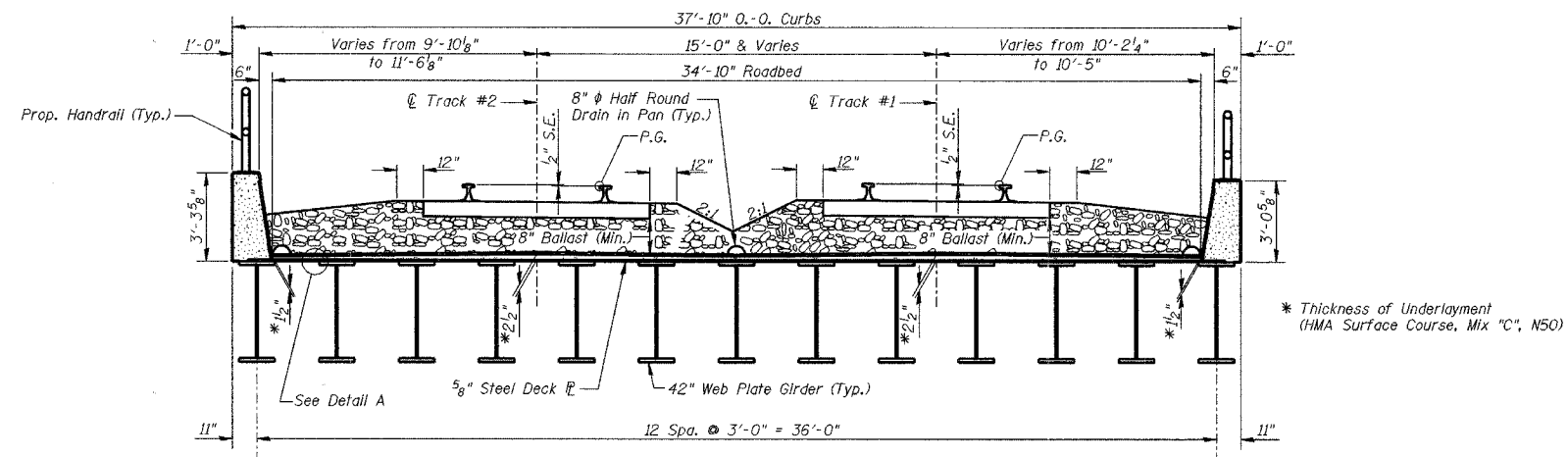


ROUTE NO.	SECTION	COUNTY	TOTAL SHEETS	SHEET NO.
WINTER AVE.	99-00209-01-PV	VERMILION	296	110
FED. ROAD DIST. NO.	ILLINOIS	PROJECT		

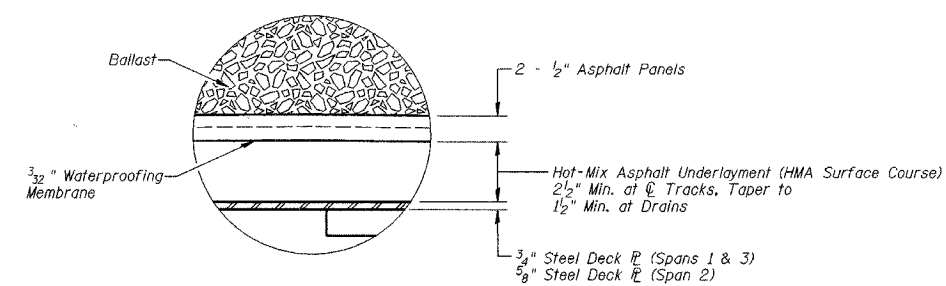
CONTRACT NO. 91358



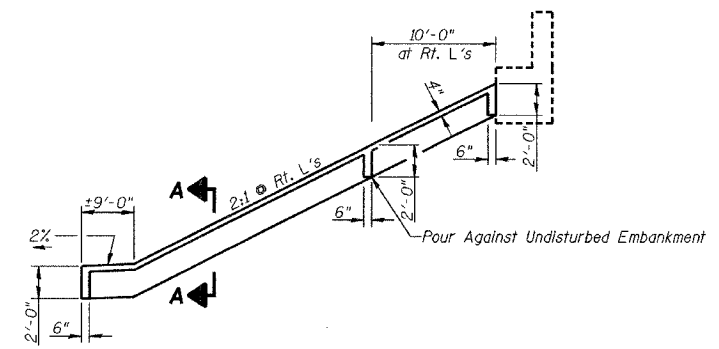
**TYPICAL CROSS SECTION THRU SUPERSTRUCTURE, SPANS 1 & 3**  
(LOOKING SOUTH)



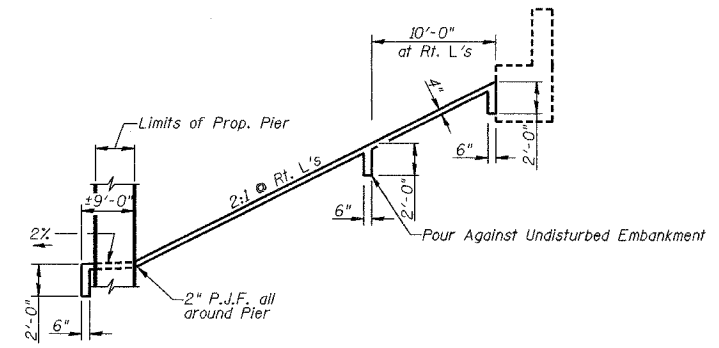
**TYPICAL CROSS SECTION THRU SUPERSTRUCTURE, SPAN 2**  
(LOOKING SOUTH)



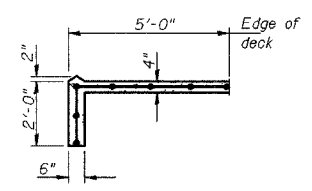
**DETAIL "A"**



**SECTION THRU EDGE OF SLOPEWALL**



**SECTION THRU SLOPEWALL AT PIER**



**SECTION A-A**

**Note**

Slope wall shall be reinforced with welded wire fabric, 6 in. x 6 in. - w4.0 x W4.0, weighing 58 lbs. per 100 sq. ft.

TYPICAL CROSS SECTION & SLOPEWALL DETAILS			
Date	Designed MJP	CSX TRANSPORTATION R.R. OVER WINTER AVE. MP OZA 121.6 SECTION 99-00209-01-PV CITY OF DANVILLE, IL VERMILION COUNTY STA. 5527+59.81 PROP. STR. NO. 092-6039	Sheet No.
Revisions	Drawn REZ		6
	Checked KWB		of 24
	Approved KWB		URS Job No.
Prepared by:	<b>URS</b> 345 East Ash Avenue, Suite B Decatur, IL 62526		36430866