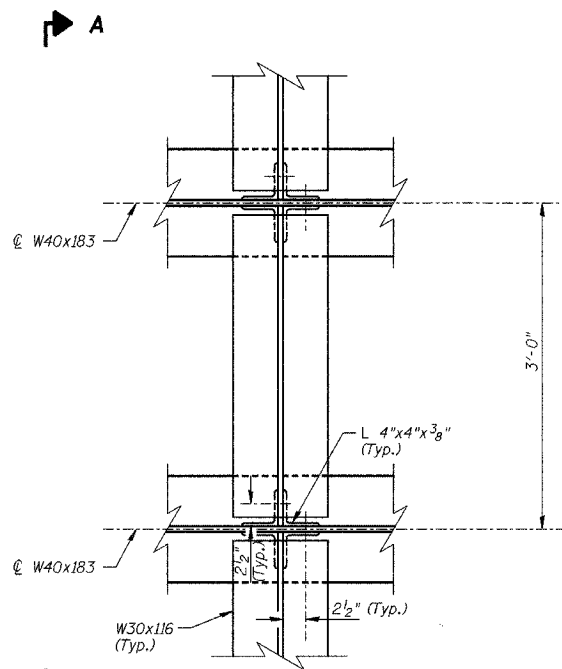
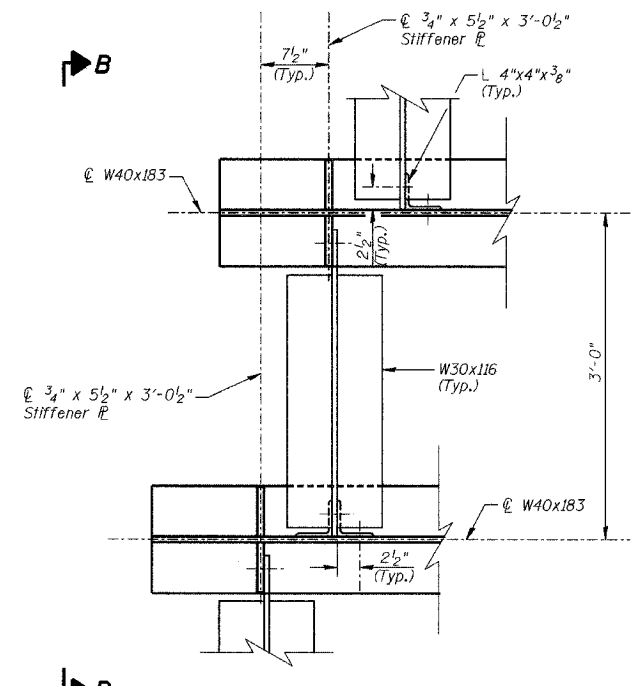


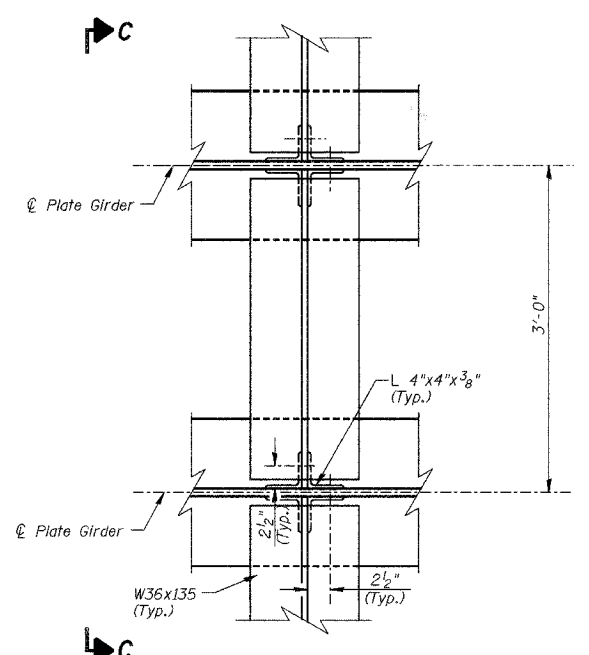
ROUTE NO.	SECTION	COUNTY	TOTAL SHEETS	SHEET NO.
WINTER AVE.	99-00209-01-PV	VERMILION	296	112
FED. ROAD DIST. NO.	ILLINOIS PROJECT		CONTRACT NO. 91358	



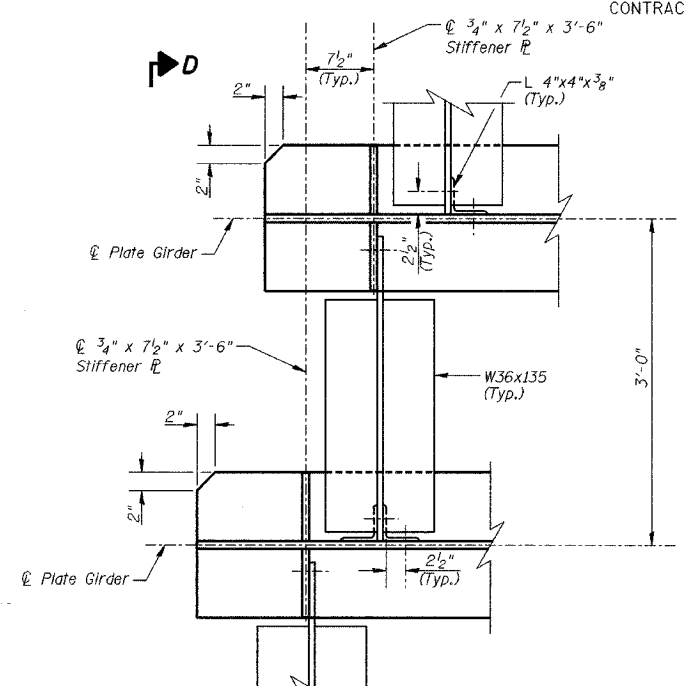
**PLAN VIEW
INTERMEDIATE DIAPHRAGM
SPANS 1 & 3**



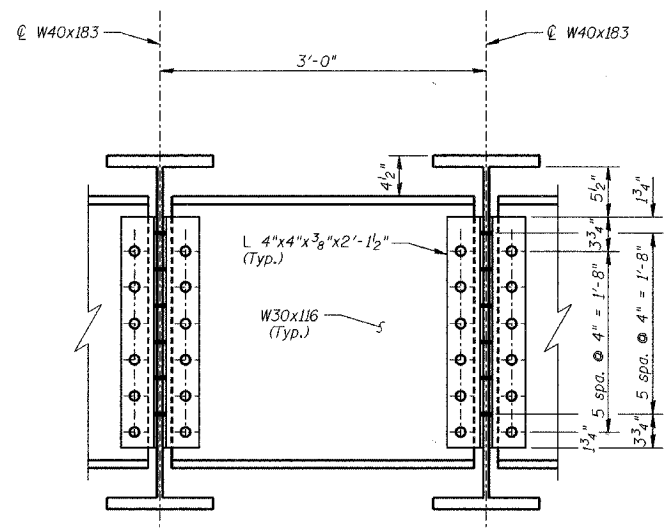
**PLAN VIEW
END DIAPHRAGM
SPANS 1 & 3**



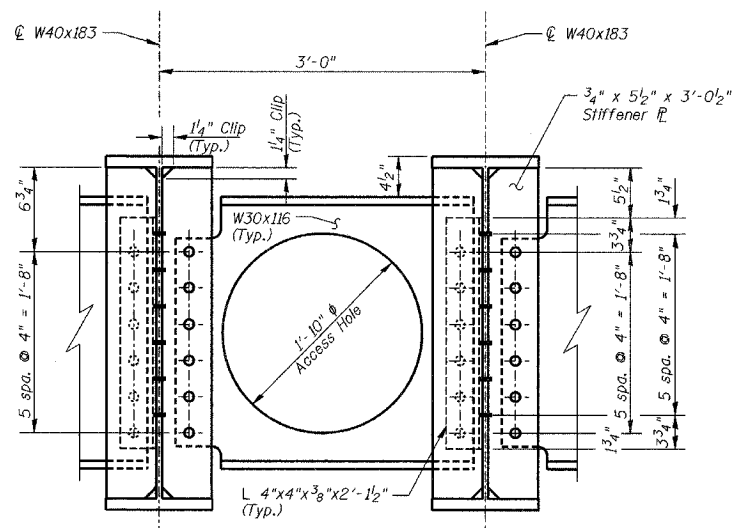
**PLAN VIEW
INTERMEDIATE DIAPHRAGM
SPAN 2**



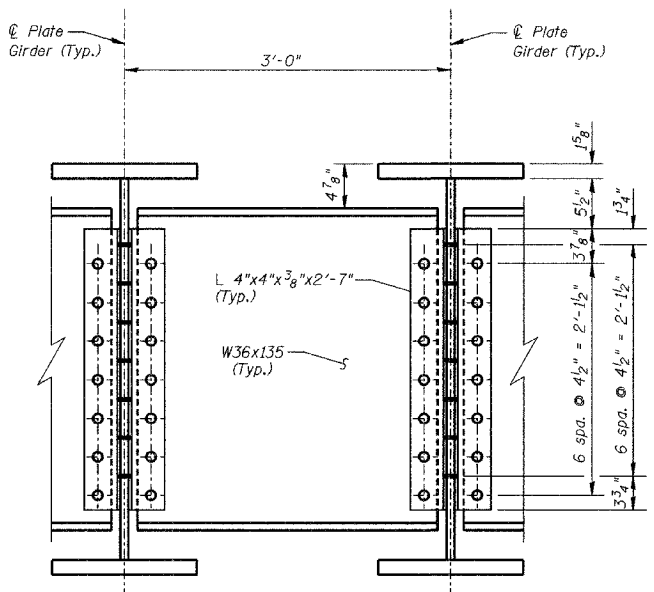
**PLAN VIEW
END DIAPHRAGM
SPAN 2**



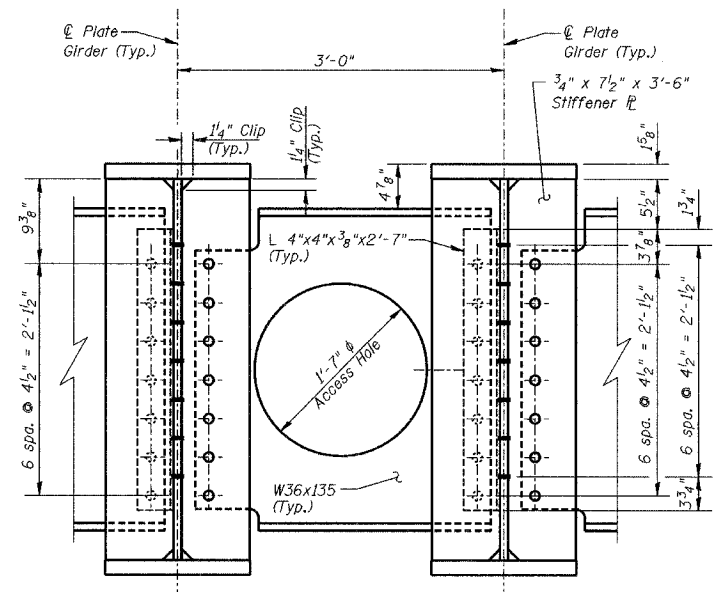
VIEW A-A



VIEW B-B



VIEW C-C



VIEW D-D

DIAPHRAGM DETAILS			Sheet No.
Date	Designed MJP	CSX TRANSPORTATION R.R. OVER WINTER AVE. MP OZA 121.6 SECTION 99-00209-01-PV CITY OF DANVILLE, IL VERMILION COUNTY STA. 5527+59.81 PROP. STR. NO. 092-6039	8 of 24
Revisions	Drawn BKN		
	Checked KWB		
	Approved KWB		
Prepared by:	URS		
345 East Ash Avenue, Suite B Decatur, IL 62526		URS Job No. 36430866	