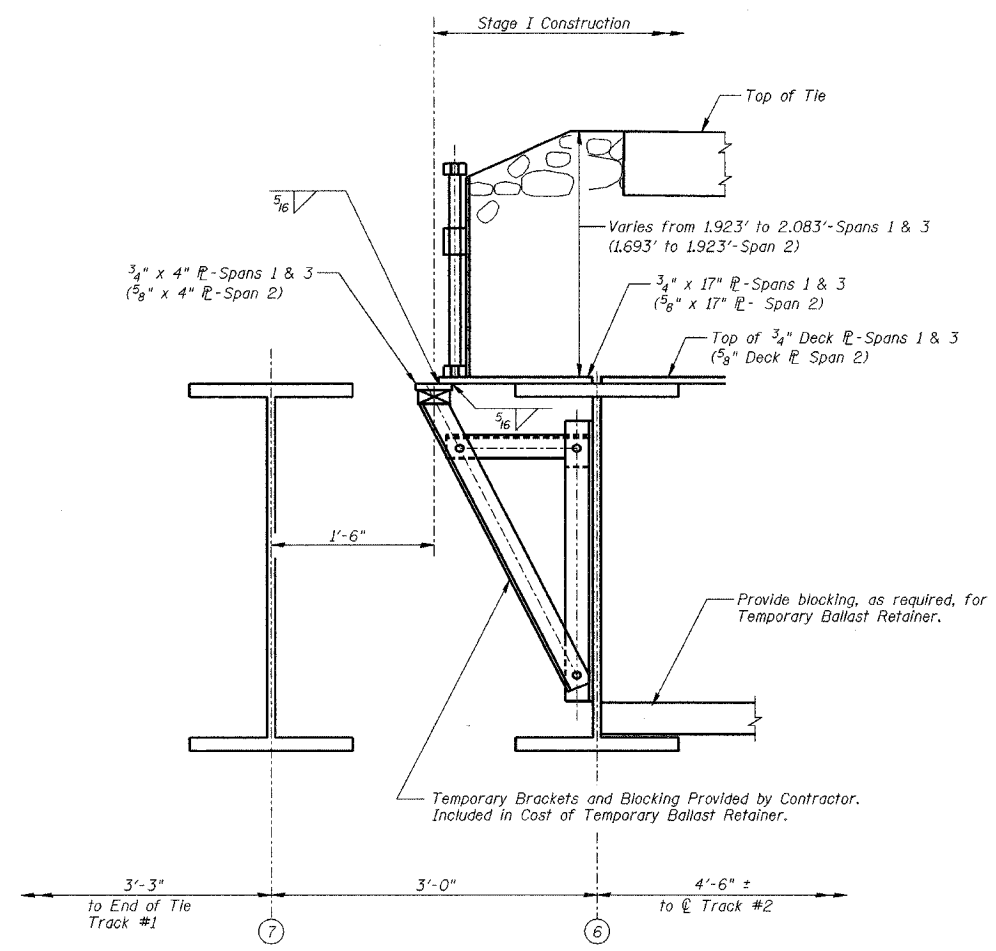
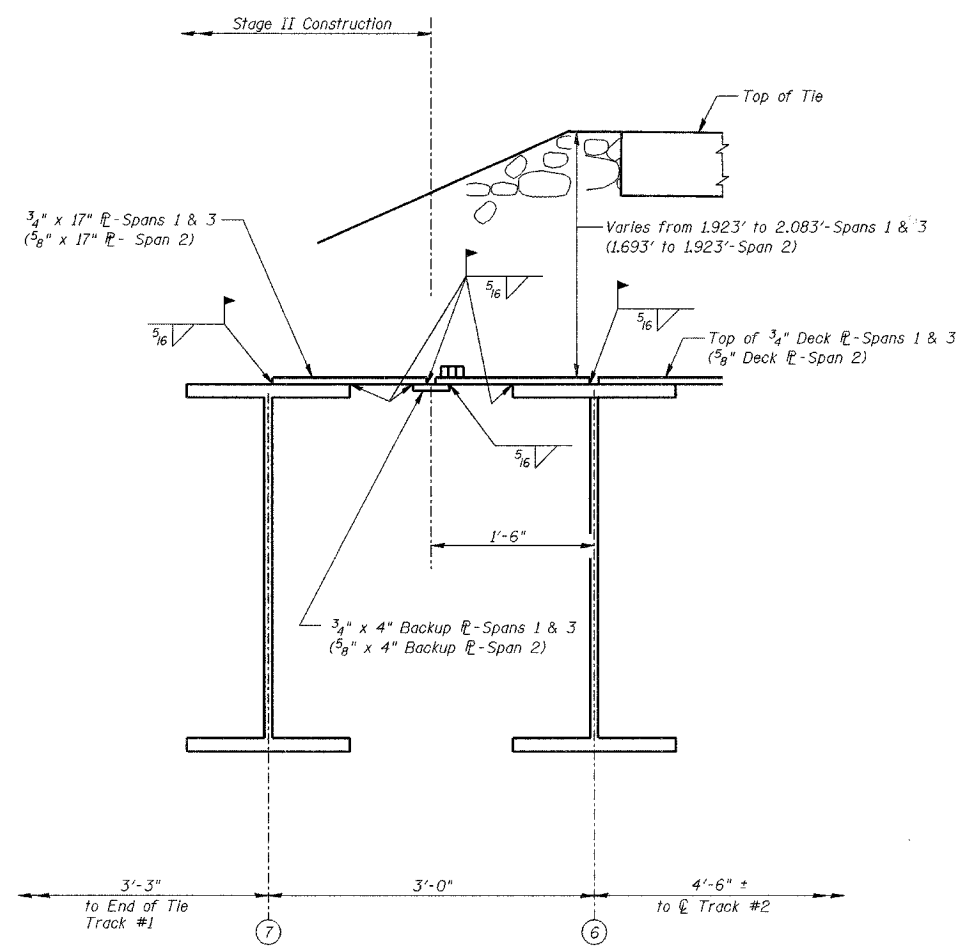


ROUTE NO.	SECTION	COUNTY	TOTAL SHEETS	SHEET NO.
WINTER AVE.	99-00209-01-PV	VERMILION	296	114
FED. ROAD DIST. NO.	ILLINOIS	PROJECT		

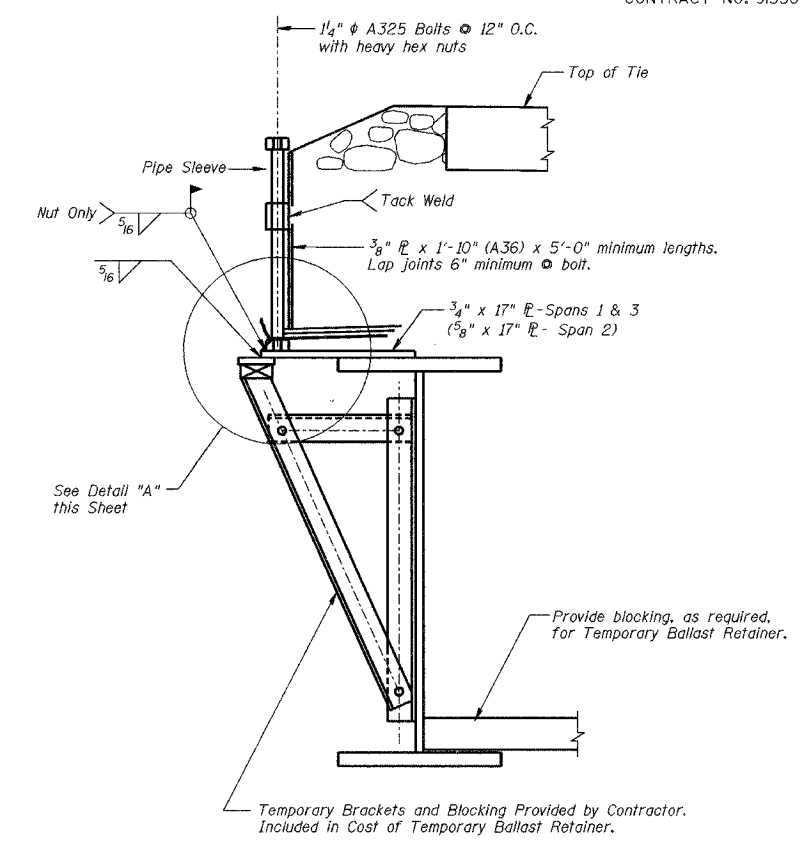
CONTRACT NO. 91358



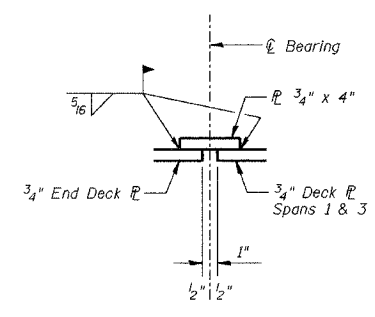
**STAGE I CONSTRUCTION JOINT- SPANS 1, 2 & 3**



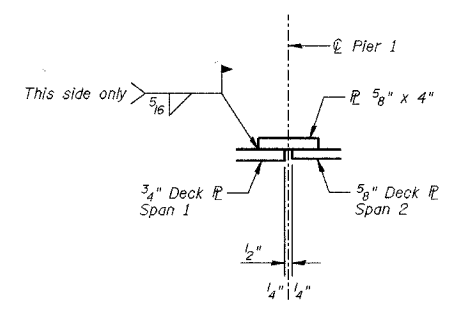
**SECTION F-F**



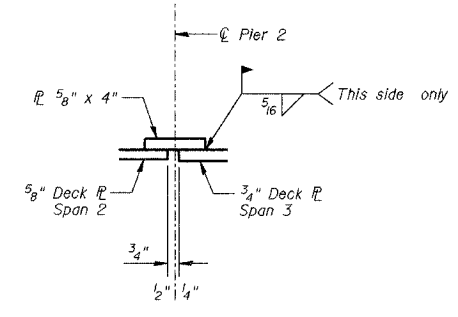
**STAGE I BALLAST RETAINER**



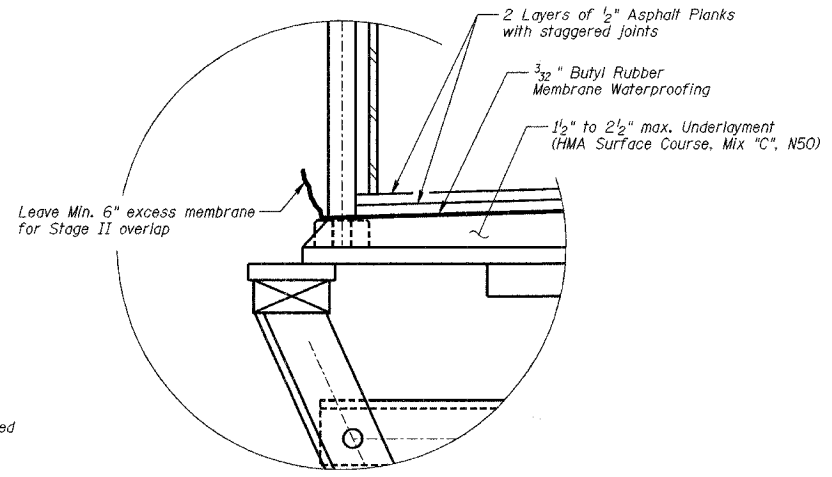
**SECTION A-A**  
(Typical at Abutments)



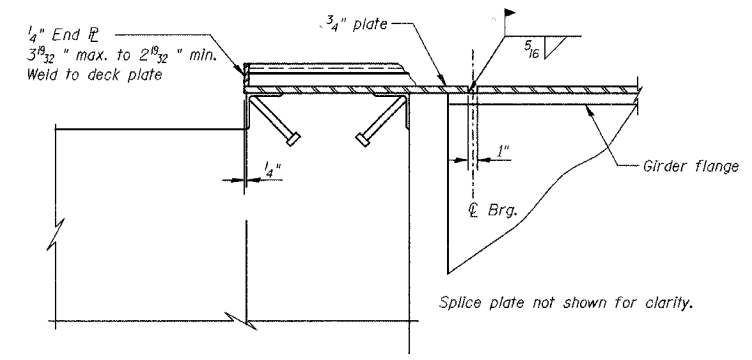
**SECTION B-B**



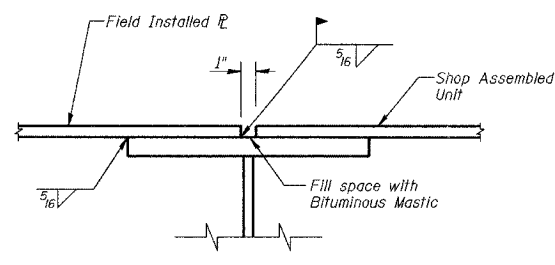
**SECTION C-C**



**DETAIL "A"**



**SECTION D-D**  
(Typical at Abutments)



**SECTION E-E**  
(Typical at Field Installed R's)

SUPERSTRUCTURE DETAILS				Sheet No.
Date	Designed KWB	CSX TRANSPORTATION R.R. OVER WINTER AVE. MP OZA 12L6 SECTION 99-00209-01-PV CITY OF DANVILLE, IL VERMILION COUNTY STA. 5527+59.81 PROP. STR. NO. 092-6039		<b>10</b> of 24
Revisions	Drawn MLS			
	Checked MJP			
	Approved KWB			
Prepared by:	<b>URS</b> 345 East Ash Avenue, Suite B Decatur, IL 62526			URS Job No. 36430866