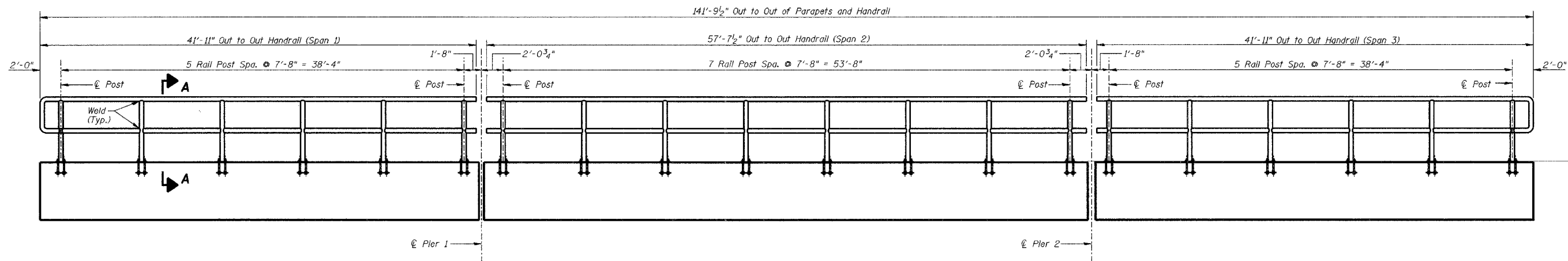
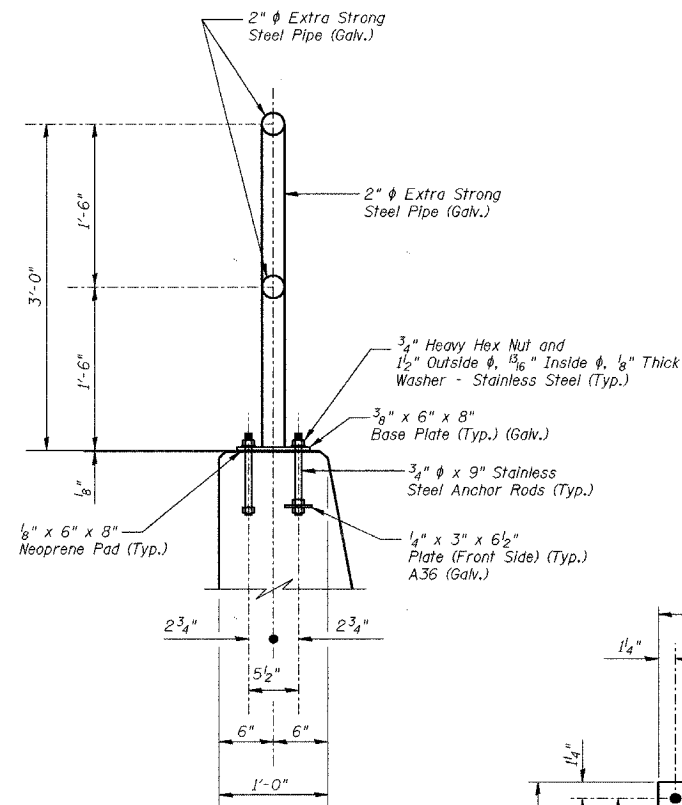


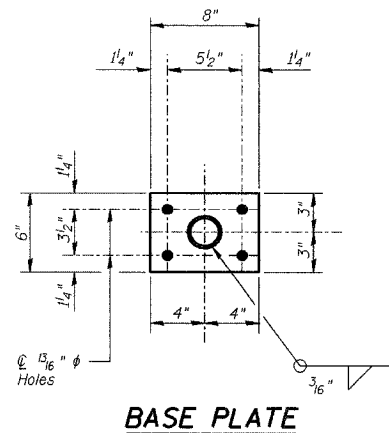
| | | | | |
|---------------------|------------------|-----------|--------------------|-----------|
| ROUTE NO. | SECTION | COUNTY | TOTAL SHEETS | SHEET NO. |
| WINTER AVE. | 99-00209-01-PV | VERMILION | 296 | 116 |
| FED. ROAD DIST. NO. | ILLINOIS PROJECT | | CONTRACT NO. 91358 | |



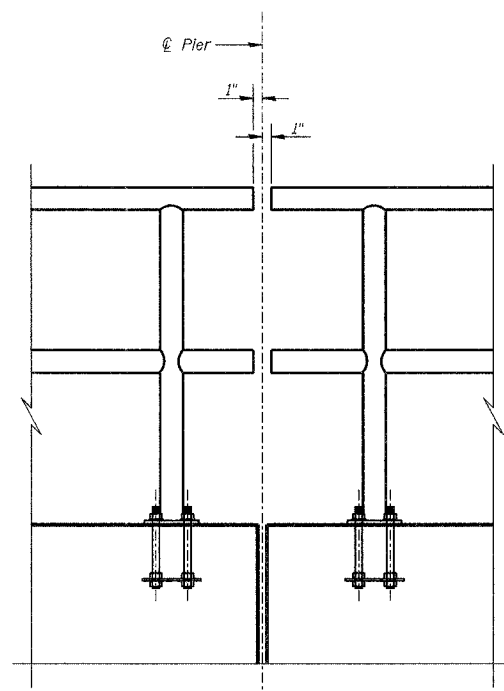
INSIDE ELEVATION OF HANDRAIL ALONG PARAPET



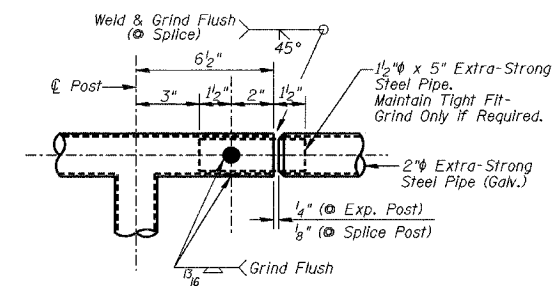
SECTION A - A



BASE PLATE



AT PIERS



SPlice DETAIL

BILL OF MATERIAL

| Item | Unit | Quantity |
|---------------|------|----------|
| Pipe Handrail | Foot | 284 |

NOTES:

All Post, Pipe, Pipe Splices and Base Plates shall be galvanized after shop fabrication according to AASHTO M 111 and ASTM A 385. Galvanized Pipe shall not be painted.

HANDRAIL DETAILS

| | | | |
|--------------|--|---|-----------------|
| Date | Designed MJP | CSX TRANSPORTATION R.R. OVER WINTER AVE. MP OZA 12L6 SECTION 99-00209-01-PV CITY OF DANVILLE, IL VERMILION COUNTY STA. 5527+59.81 PROP. STR. NO. 092-6039 | Sheet No. |
| Revisions | Drawn BKN | | 12 |
| | Checked KWB | | of 24 |
| | Approved KWB | | URS Job No. |
| Prepared by: | URS 345 East Ash Avenue, Suite B Decatur, IL 62526 | | 36430866 |