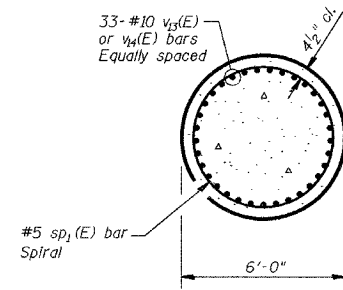
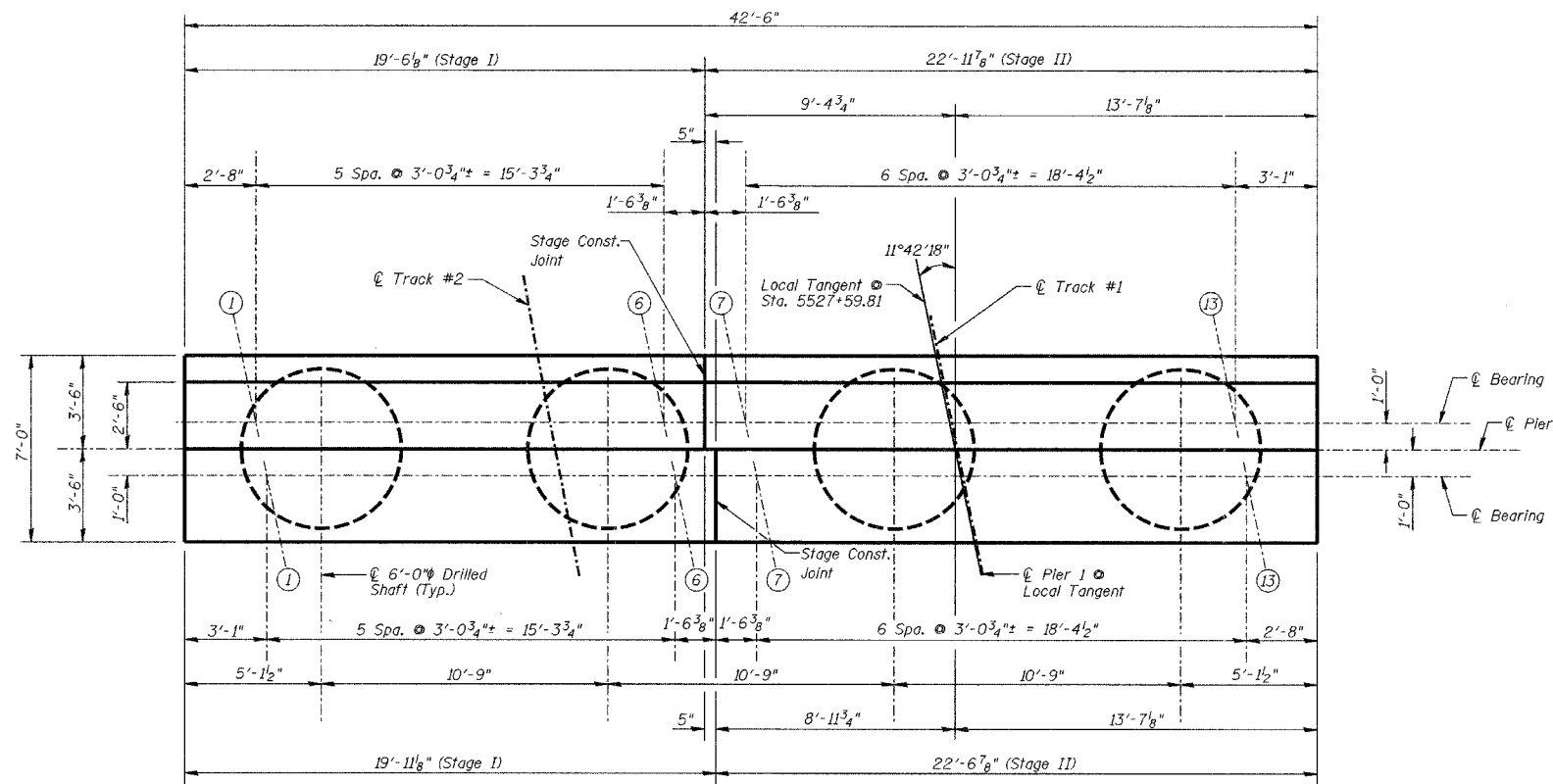
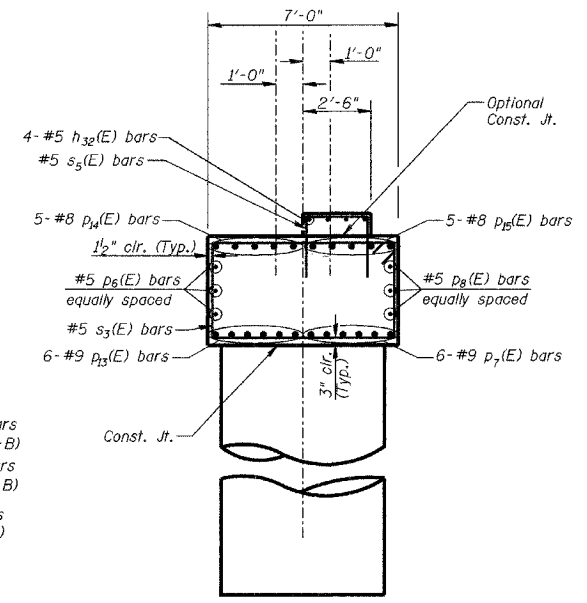
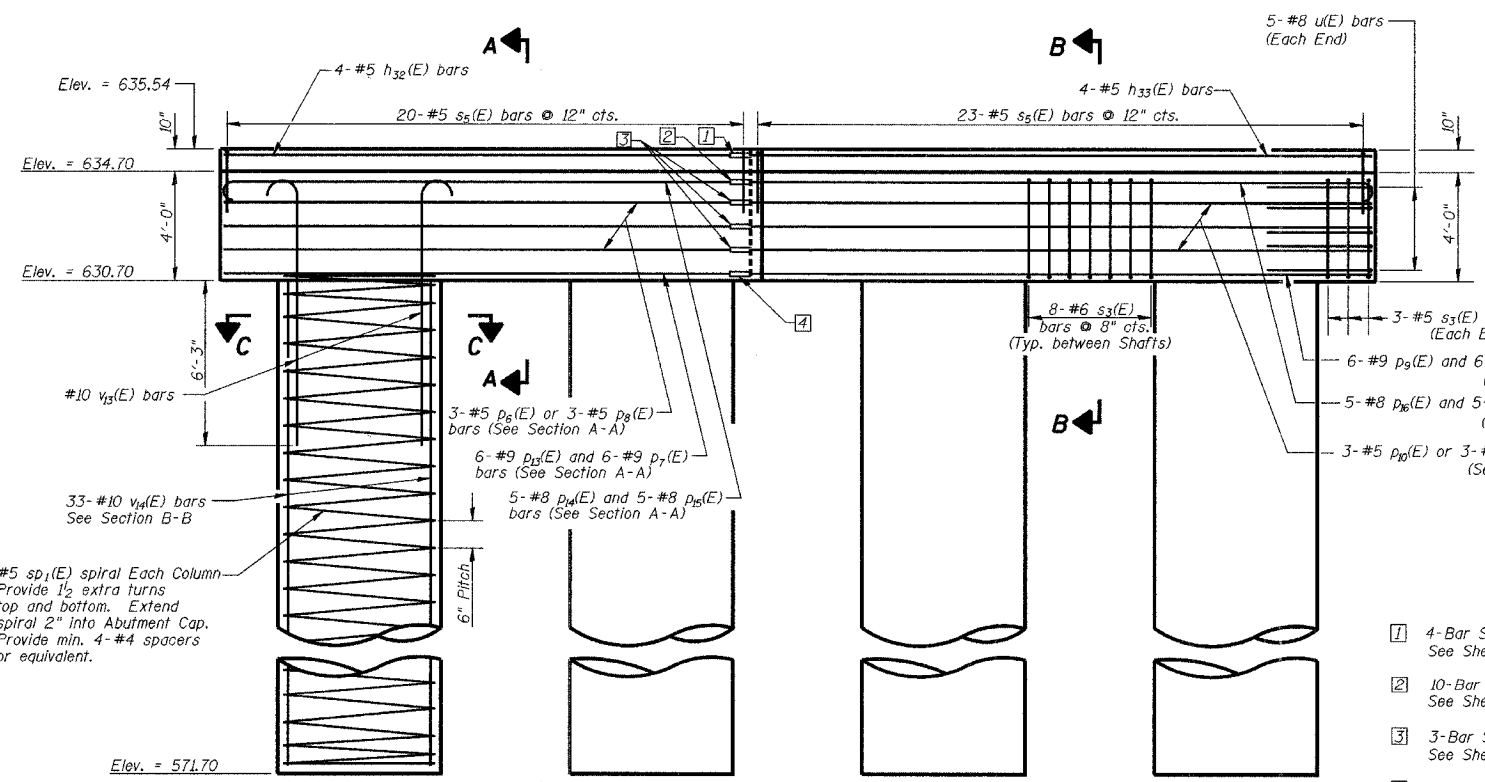


ROUTE NO.	SECTION	COUNTY	TOTAL SHEETS	SHEET NO.
WINTER AVE.	99-00209-01-PV	VERMILION	296	123
FED. ROAD DIST. NO.	ILLINOIS PROJECT		CONTRACT NO. 91358	

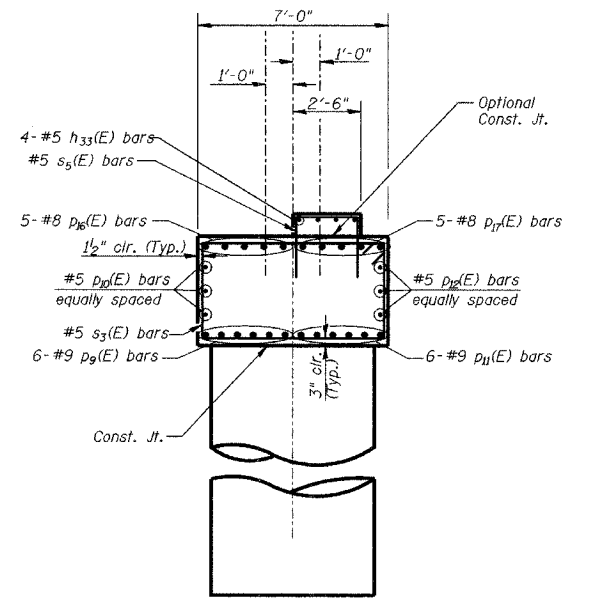


SECTION C-C

PLAN



SECTION A-A



SECTION B-B

ELEVATION

- 1 4-Bar Splicer (E) for #5 bars See Sheet 21 of 24 for details.
- 2 10-Bar Splicer (E) for #8 bars See Sheet 21 of 24 for details.
- 3 3-Bar Splicer (E) for #5 bars (Each Face) See Sheet 21 of 24 for details.
- 4 12-Bar Splicer (E) for #9 bars See Sheet 21 of 24 for details.

See Sheet 20 of 24 for Bill of Material.

PIER 2

Date	Designed MJP	CSX TRANSPORTATION R.R. OVER WINTER AVE. MP OZA 121.6 SECTION 99-00209-01-PV CITY OF DANVILLE, IL VERMILION COUNTY STA. 5527+59.81 PROP. STR. NO. 092-6039	Sheet No.
Revisions	Drawn BKN		19
	Checked KWB		of 24
	Approved KWB		URS Job No. 36430866
Prepared by:	URS 345 East Ash Avenue, Suite B Decatur, IL 62526		