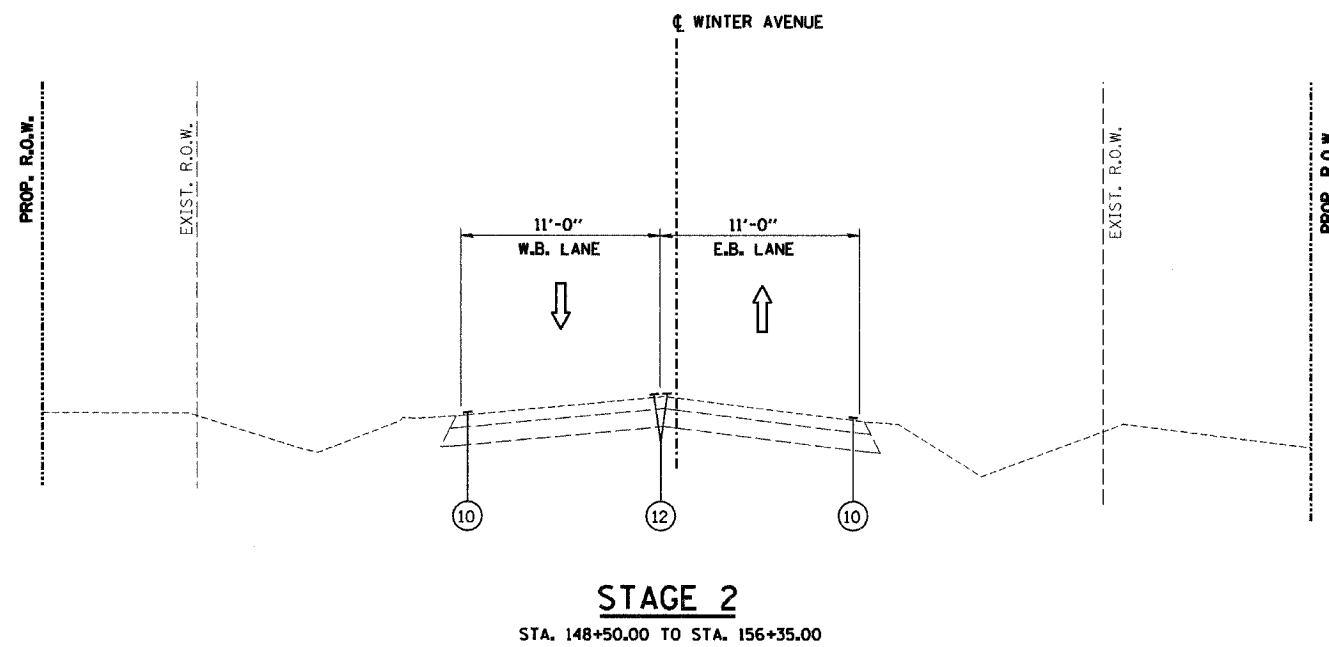
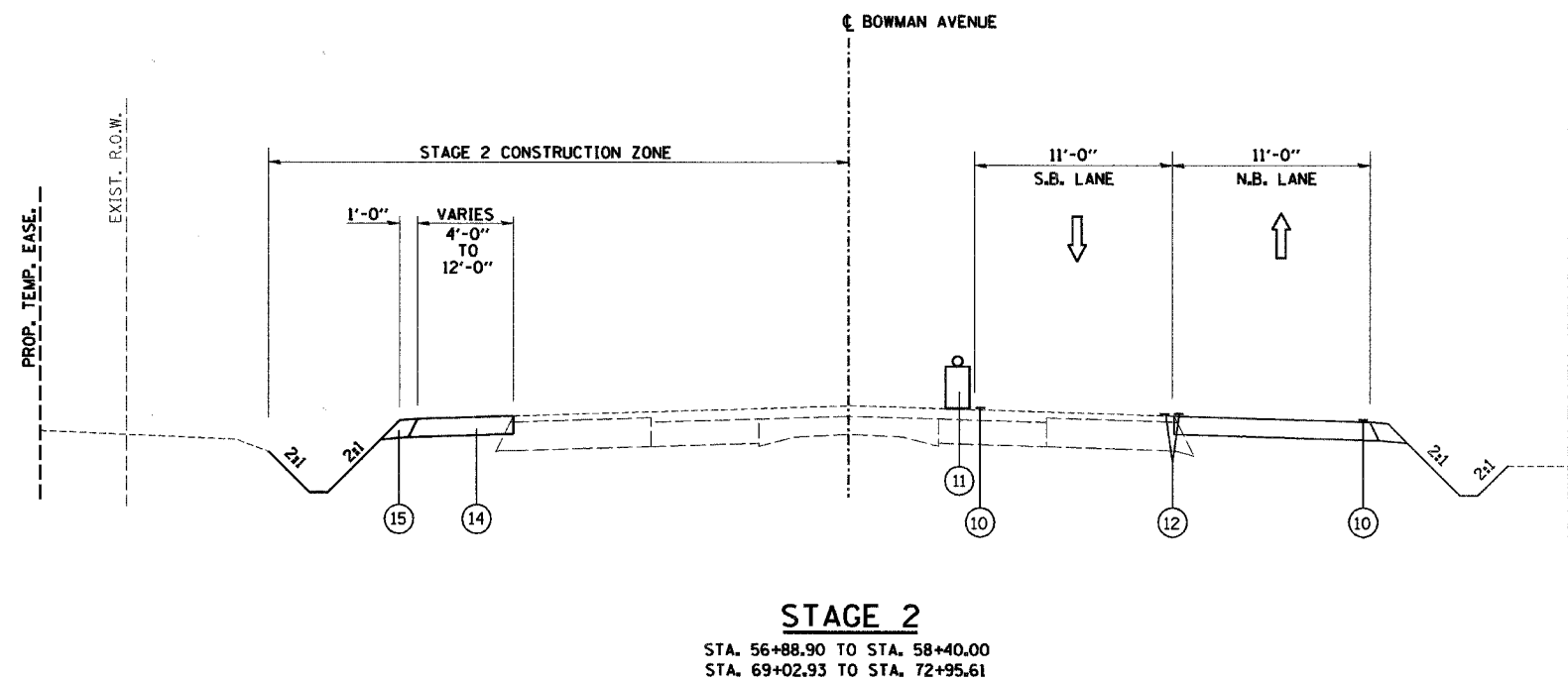


PLAN	SURVEYED	BY	DATE
	REVISIONS		
	NOTED		
	NOT CHECKED		
	REL. OF WAY CHECKED		
	CARD FILE NAME		
	NO.		



### LEGEND, TRAFFIC MAINTENANCE

- ① POLYMERIZED HOT-MIX ASPHALT SURFACE COURSE, MIX "D", N70, 2"
- ② POLYMERIZED HOT-MIX ASPHALT BINDER COURSE, IL-19.0, N70, 2 1/4"
- ②A HOT-MIX ASPHALT BINDER COURSE, IL-19.0, N70, 5 3/4"
- ③ AGGREGATE BASE COURSE, TYPE A, 5.5"
- ④ AGGREGATE BASE COURSE, TYPE A, 6.5"
- ⑤ COMBINATION CONCRETE CURB & GUTTER, TYPE B-6.24
- ⑥ AGGREGATE SHOULDER, TYPE A, 6"
- ⑦ PORTLAND CEMENT CONCRETE SIDEWALK, 5" (FOR BICYCLE PATH)
- ⑧ SEEDING, CLASS 1A
- ⑨ TEMPORARY EROSION CONTROL SEEDING
- ⑩ TEMPORARY PAVEMENT MARKING LINE 4" WHITE OR YELLOW
- ⑪ TEMPORARY LIGHTED BARRICADE, DRUM, OR VERTICAL PANEL
- ⑫ TEMPORARY PAVEMENT MARKING LINE 4" DOUBLE YELLOW AT 6" C-C
- ⑬ EXISTING PAVEMENT MARKING
- ⑭ TEMPORARY BITUMINOUS PAVEMENT, 6"
- ⑮ TEMPORARY AGGREGATE SHOULDER, 6"



REVISIONS		CITY OF DANVILLE, ILLINOIS WINTER AVENUE RECONSTRUCTION
NAME	DATE	
		MAINTENANCE OF TRAFFIC TYPICAL SECTIONS

SCALE: NTS  
DRAWN BY: MLS

DATE: 12/21/06  
CHECKED BY: MBF