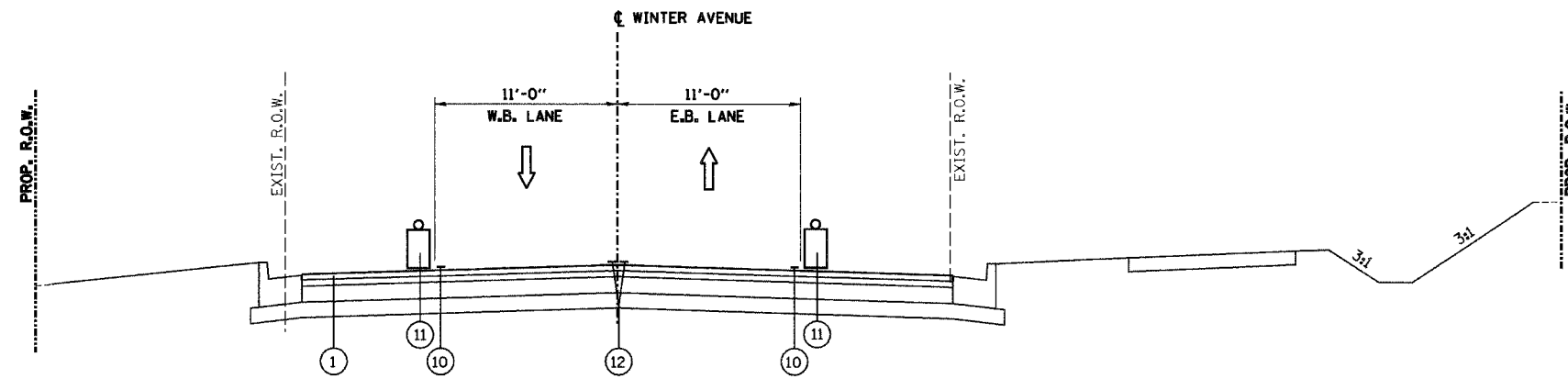
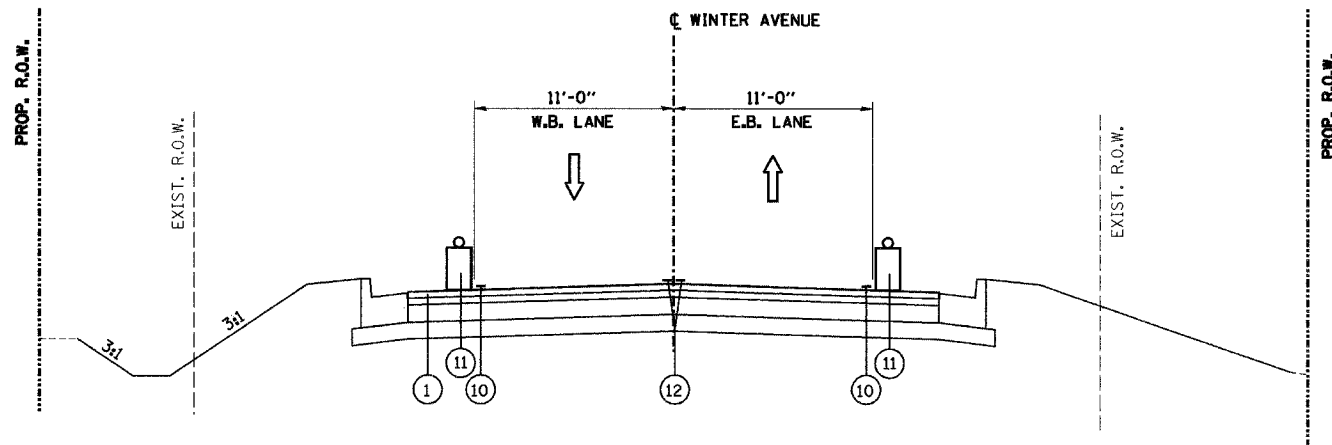


PLAN	SURVEYED	DATE
	BY	
	NOTED	
	CHECKED	
	DATE	
	BY	
	DATE	



STAGE 4
STA. 141+50.00 TO STA. 147+50.00



STAGE 4
STA. 148+50.00 TO STA. 153+13.06

LEGEND, TRAFFIC MAINTENANCE

- ① POLYMERIZED HOT-MIX ASPHALT SURFACE COURSE, MIX "D", N70, 2"
- ② POLYMERIZED HOT-MIX ASPHALT BINDER COURSE, IL-19.0, N70, 2 1/4"
- ②A HOT-MIX ASPHALT BINDER COURSE, IL-19.0, N70, 5 3/4"
- ③ AGGREGATE BASE COURSE, TYPE A, 5.5"
- ④ AGGREGATE BASE COURSE, TYPE A, 6.5"
- ⑤ COMBINATION CONCRETE CURB & GUTTER, TYPE B-6.24
- ⑥ AGGREGATE SHOULDER, TYPE A, 6"
- ⑦ PORTLAND CEMENT CONCRETE SIDEWALK, 5" (FOR BICYCLE PATH)
- ⑧ SEEDING, CLASS 1A
- ⑨ TEMPORARY EROSION CONTROL SEEDING
- ⑩ TEMPORARY PAVEMENT MARKING LINE 4" WHITE OR YELLOW
- ⑪ TEMPORARY LIGHTED BARRICADE, DRUM, OR VERTICAL PANEL
- ⑫ TEMPORARY PAVEMENT MARKING LINE 4" DOUBLE YELLOW AT 6" C-C
- ⑬ EXISTING PAVEMENT MARKING
- ⑭ TEMPORARY BITUMINOUS PAVEMENT, 6"
- ⑮ TEMPORARY AGGREGATE SHOULDER, 6"

REVISIONS		NAME	DATE
NO.	DESCRIPTION		

CITY OF DANVILLE, ILLINOIS
WINTER AVENUE RECONSTRUCTION

MAINTENANCE OF TRAFFIC
TYPICAL SECTIONS

SCALE: NTS DATE: 12/21/06
DRAWN BY: MLS CHECKED BY: MBF